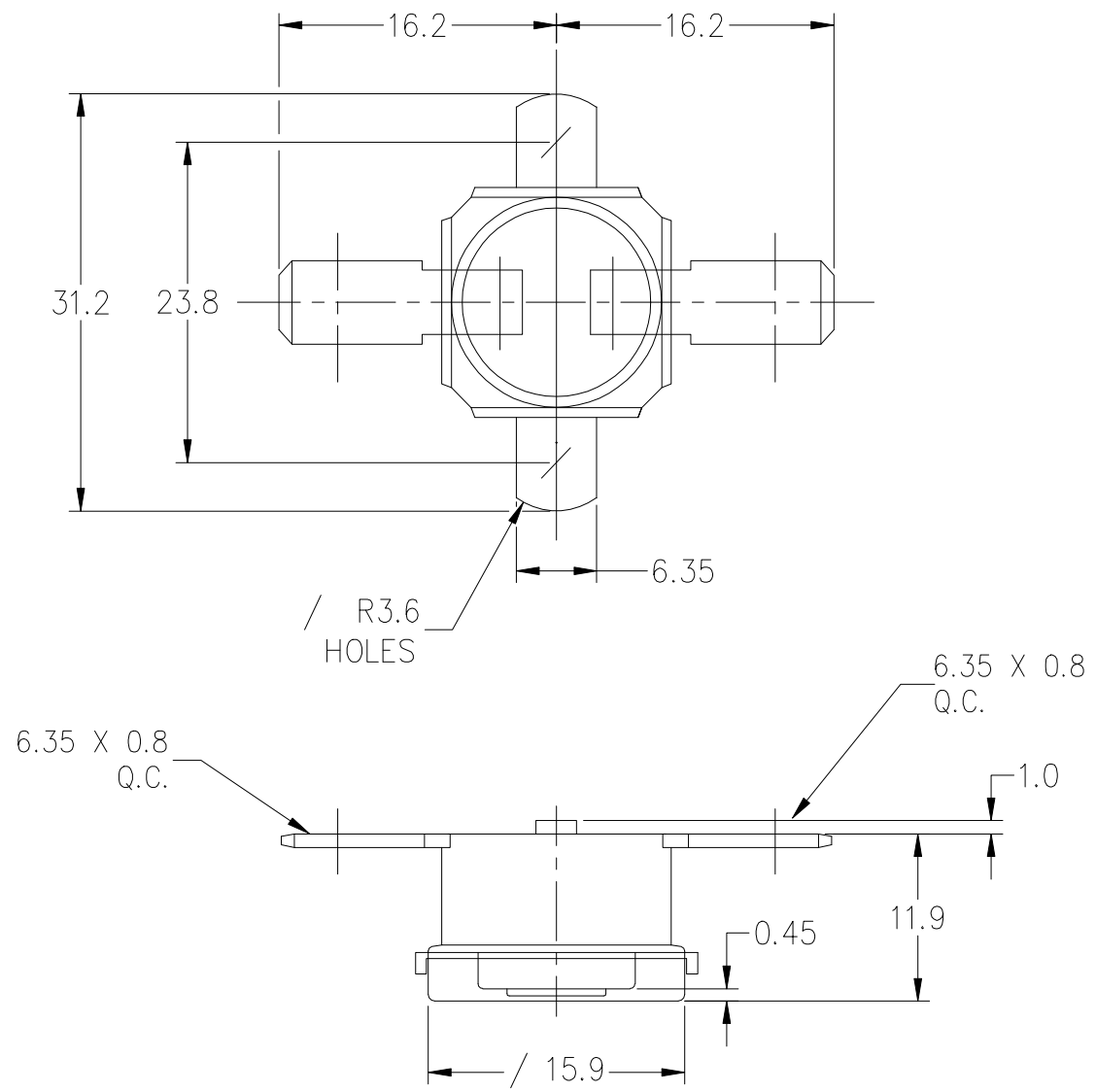


HONEYWELL  
PART NUMBER  
880119

REV	DOCUMENT	CHANGED BY	CHECK
A	0067872	BM 02AUG10	RS



OPERATING CRITERIA:  
VOLTS: 250; AMPS: 10; Hz: 50/60  
OPERATING TEMPS. °C  
OPEN: 110 ± 4  
CLOSE: 90 ± 7

- NOTES:  
1. ORIENTATION OF BRACKET IS NOT FIXED.  
2. ALL THE DIMENSIONS ARE FOR REFERENCE ONLY.

<b>CODING REQUIREMENTS:</b> COLOUR: SILVER OR WHITE L110C 100 86 XXX (XXX = DATE CODE)	CAP: B200 MAT'L: ALUMINIUM BRK'T: B203S MAT'L: ST/STEEL
	PLATING: TERMINAL: T146 T146 MATERIAL: BRASS BRASS PLATING: SILVER SILVER

DESIGN UNITS: MM	
TOLERANCES UNLESS NOTED:	
NO PLACES	X ± 1
ONE PLACE	.X ± .4
TWO PLACE	.XX ± .15
THREE PLACE	.XXX ± .005
ANGLES	X ± 3'
THIRD ANGLE PROJECTION	

DRAWN	BM	02AUG10
CHECK	RS	02AUG10
THIS DRAWING COVERS A PROPRIETARY ITEM AND IS THE PROPERTY OF HONEYWELL. THIS DRAWING IS NOT TO BE COPIED OR USED WITHOUT THE PERMISSION OF HONEYWELL.		
INTERPRET PER ASME Y14.5M-1994 OTHER HONEYWELL ENGINEERING STANDARDS MAY APPLY		
AUTOCAD 2D		

<b>Honeywell</b>				
TITLE 2455R 100 86				
SIZE	TYPE	CAGE CODE	DRAWING NAME	REV
A3	1	-	880119	A
SCALE	NONE	SHEET 1 OF 1		