

HSMQ-C280

Miniature ChipLED

Data Sheet



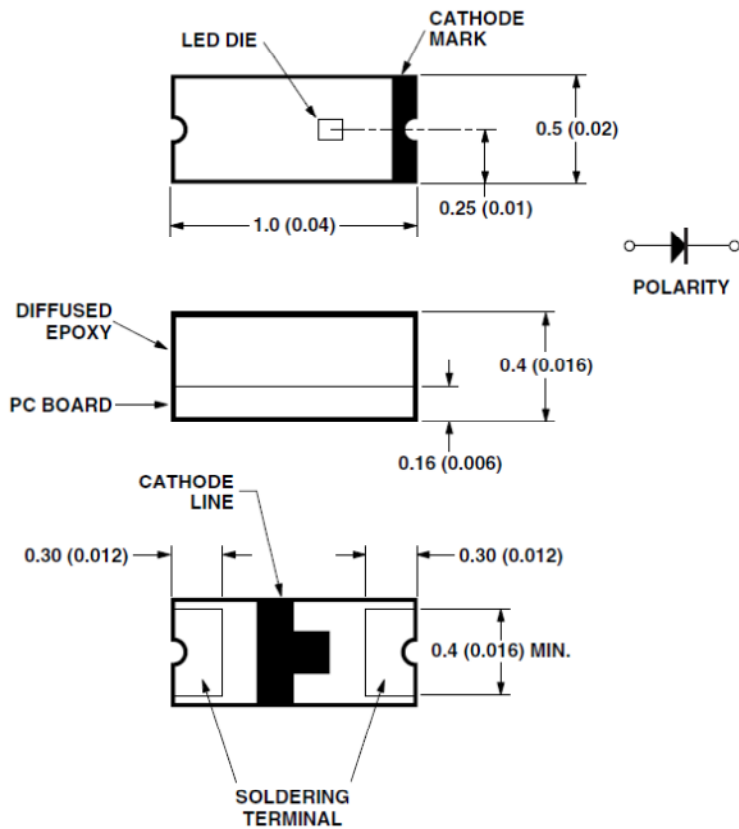
Features

- LED with InGaN die
- Surface mount device with 0402 footprint
- Compatible with reflow soldering
- Tape in 8mm carrier tape on a 7 inch diameter reel

Applications

- Backlighting
- Indicator

Package Dimensions



Note:

1. All dimensions are in millimeters (inches).
2. Tolerance $\pm 0.1\text{mm}$ ($\pm 0.004\text{in}$) unless otherwise specified.

Caution: LEDs are class 1A ESD sensitive per ANSI/ESDA/JEDEC JS-001. Please observe appropriate precautions during handling and processing. Refer to Application Note AN-1142 for additional details.

Absolute Maximum Value at T_J = 25°C

Parameter	Green	Unit
Forward Current ¹	20	mA
Peak Pulsing Current ²	100	mA
Power Dissipation	78	mW
LED Junction Temperature	95	°C
Operating Temperature Range	-30 to 85	°C
Storage Temperature Range	-40 to 85	°C

Note:

1. Derate as shown in Figure 6.
2. Pulse condition of 1/10 duty and 0.1ms width.

Optical/Electrical Characteristics at T_J = 25°C, I_F=20mA

Parameter	Min	Typ	Max	Unit
Luminous Intensity I _v ¹	112.5	222.8		mcd
Peak Wavelength λ _p		516		nm
Dominant Wavelength λ _d ²		522		nm
Viewing Angle 2θ _{1/2} ³		130		°
Forward Voltage V _f	2.7		3.9	V
Reverse Voltage V _r ⁴ at I _r =100μA	5			V
Thermal Resistance Rθ _{j-p}		300		°C/W

Note:

1. The luminous intensity is measured at the mechanical axis of the LED package. The actual peak of the spatial radiation pattern may not be aligned with the axis.
2. The dominant wavelength is derived from the CIE Chromaticity Diagram and represents the perceived color of the device.
3. Viewing angle is the off axis angle where the luminous intensity is ½ the peak intensity.
4. Reverse voltage Indicates product final testing, long terms reverse bias is not recommended.

Luminous Intensity Bin Limits

Bin ID	Luminous Intensity (mcd)	
	Min	Max
N	28.5	45.0
P	45.0	71.5
Q	71.5	112.5
R	112.5	180.0
S	180.0	285.0
T	285.0	450.0
U	450.0	715.0

Tolerance $\pm 15\%$

Green Color Bin Limits

Bin ID	Dominant Wavelength (nm)	
	Min	Max
A	515	520
B	520	525
C	525	530
D	530	535

Tolerance $\pm 1\text{nm}$

Forward Voltage Bin Limits

Bin ID	Forward Voltage (V)	
	Min	Max
Z	2.7	2.9
1	2.9	3.1
2	3.1	3.3
3	3.3	3.5
4	3.5	3.7
5	3.7	3.9

Tolerance $\pm 0.1\text{V}$

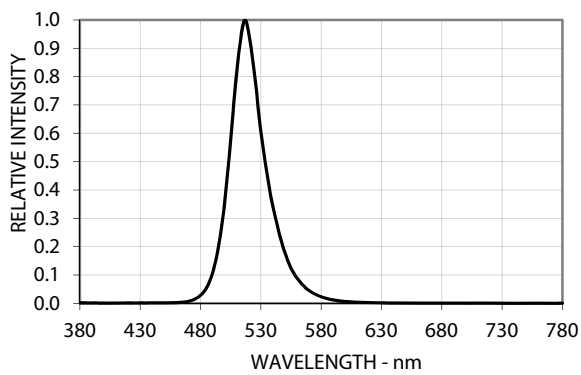


Figure 1. Spectrum

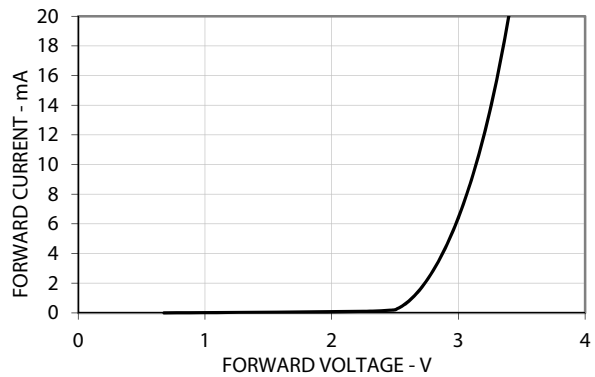


Figure 2. Forward current vs Forward voltage

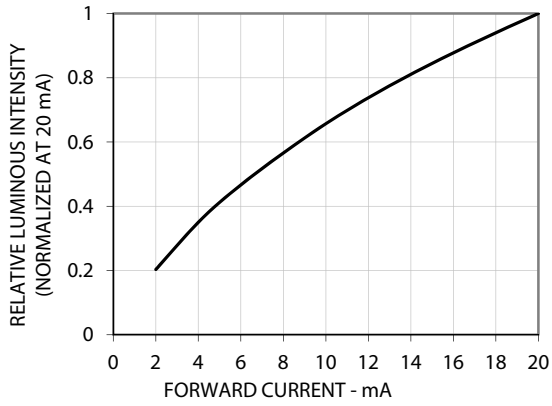


Figure 3. Relative intensity vs Forward current

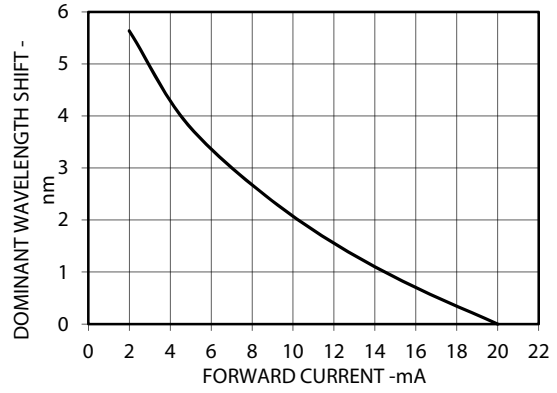


Figure 4. Dominant wavelength shift vs Forward current

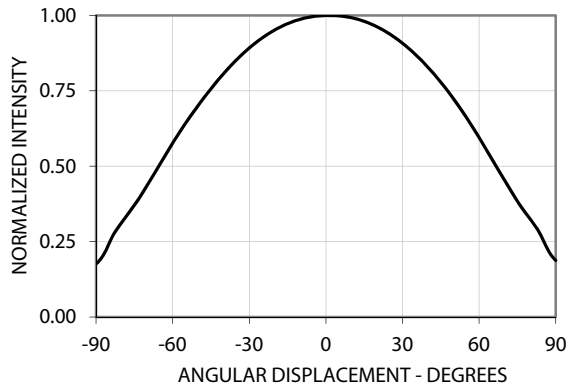


Figure 5. Radiation pattern

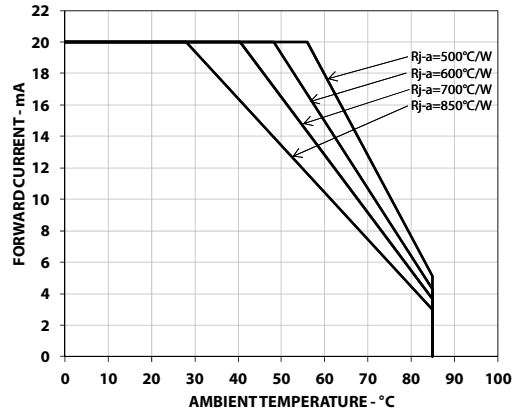


Figure 6. Derating curve

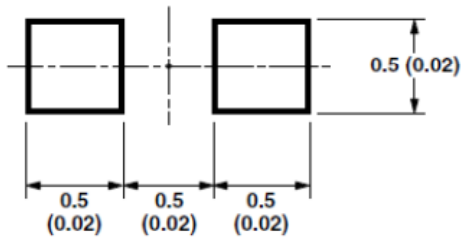


Figure 7. Recommended solder pad

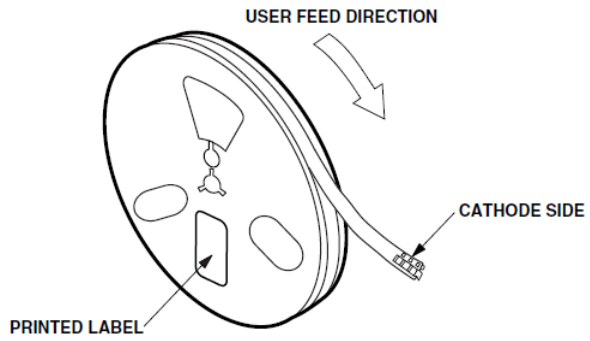
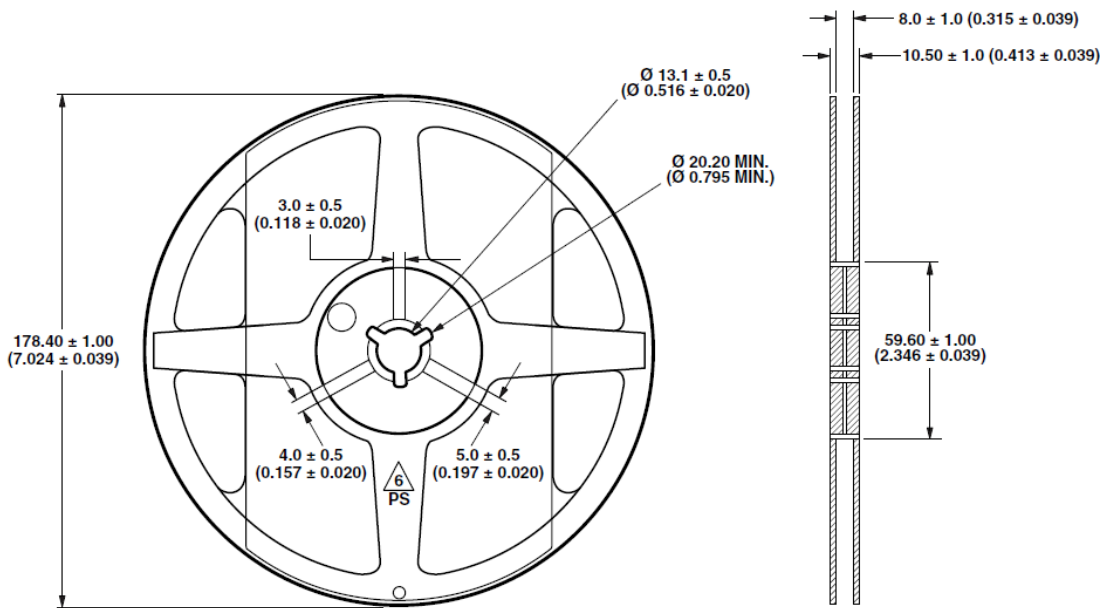


Figure 8. Reel orientation



NOTE:
1. ALL DIMENSIONS IN MILLIMETERS (INCHES).

Figure 9. Reel dimensions

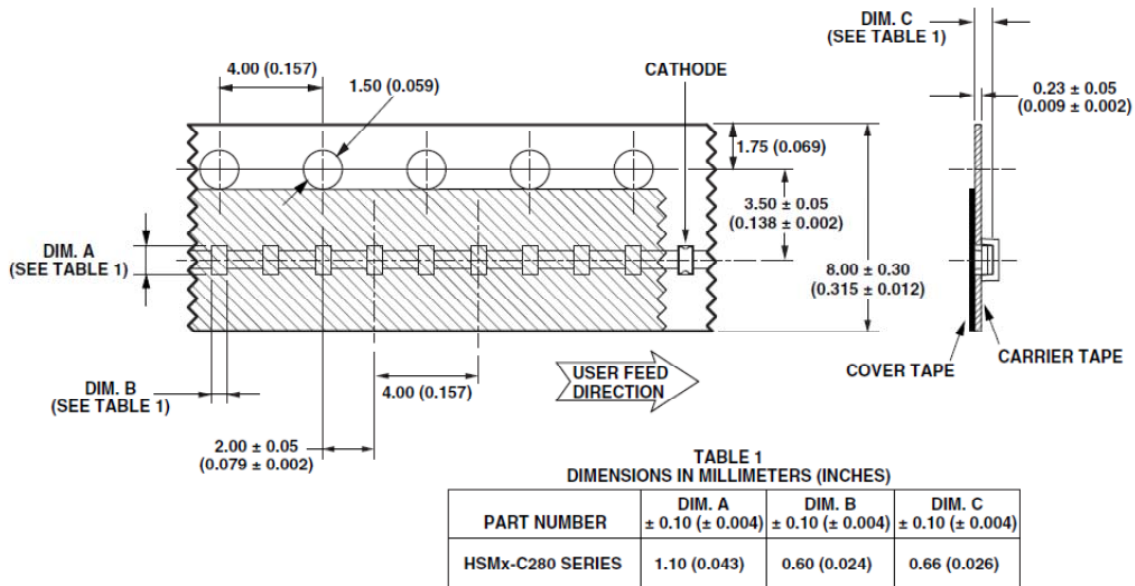
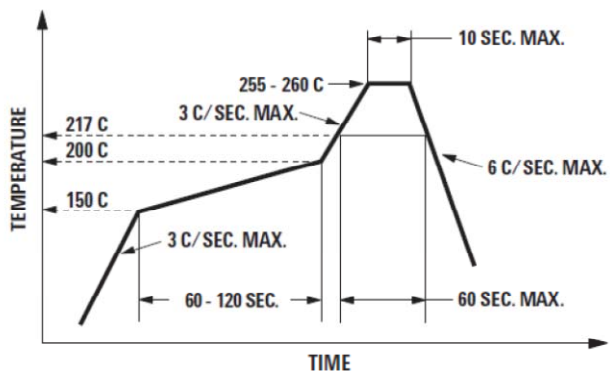


Figure 10. Carrier tape dimensions

Soldering

Recommended reflow soldering condition:



- Reflow soldering must not be done more than 2 times. Do observe necessary precautions of handling moisture sensitive device as stated in below section.
- Do not apply any pressure or force on the LED during reflow and after reflow when the LED is still hot.
- It is preferred to use reflow soldering to solder the LED. But if unavoidable (such as rework), manual hand soldering can be used but must be strictly controlled to condition below:
 - Soldering iron tip temperature = 310°C max
 - Soldering duration = 2sec max
 - Number of cycle = 1 only
 - Power of soldering iron = 50W max
- Do not touch the LED package body with the soldering iron except for the soldering terminals as it may cause damage to the LED.
- User is advised to confirm beforehand whether the functionality and performance of the LED is affected by hand soldering.

PRECAUTIONARY NOTES

1. Handling of moisture sensitive device

This product has a Moisture Sensitive Level 2a rating per JEDEC J-STD-020. Refer to Avago Application Note AN5305, *Handling of Moisture Sensitive Surface Mount Devices*, for additional details and a review of proper handling procedures.

- (a) Before use
 - An unopened moisture barrier bag (MBB) can be stored at <40°C/90%RH for 12 months. If the actual shelf life has exceeded 12 months and the humidity Indicator Card (HIC) indicates that baking is not required, then it is safe to reflow the LEDs per the original MSL rating.
 - It is recommended that the MBB not be opened prior to assembly (e.g. for IQC).
- (b) Control after opening the MBB
 - The humidity indicator card (HIC) shall be read immediately upon opening of MBB.
 - The LEDs must be kept at <30°C / 60%RH at all times and all high temperature related processes including soldering, curing or rework need to be completed within 672 hours.
- (c) Control for unfinished reel
 - Unused LEDs must be stored in a sealed MBB with desiccant or desiccator at <5%RH.
- (d) Control of assembled boards
 - If the PCB soldered with the LEDs is to be subjected to other high temperature processes, the PCB need to be stored in sealed MBB with desiccant or desiccator at <5%RH to ensure that all LEDs have not exceeded their floor life of 672 hours.
- (e) Baking is required if:
 - The HIC indicator is not blue at 10% and is pink at 5%.
 - The LEDs are exposed to condition of >30°C / 60% RH at any time.
 - The LED floor life exceeded 672hrs.The recommended baking condition is: 60±5°C for 20hrs
Baking should only be done once.

2. Disclaimer

Avago's products are not specifically designed, manufactured or authorized for sale as parts, components or assemblies for the planning, construction, maintenance or direct operation of a nuclear facility or for use in medical devices or applications. Customer is solely responsible, and waives all rights to make claims against Avago or its suppliers, for all loss, damage, expense or liability in connection with such use.

For product information and a complete list of distributors, please go to our website: www.avagotech.com
Avago, Avago Technologies, and the A logo are trademarks of Avago Technologies in the United States and other countries. Data subject to change. Copyright © 2005-2014 Avago Technologies. All rights reserved.