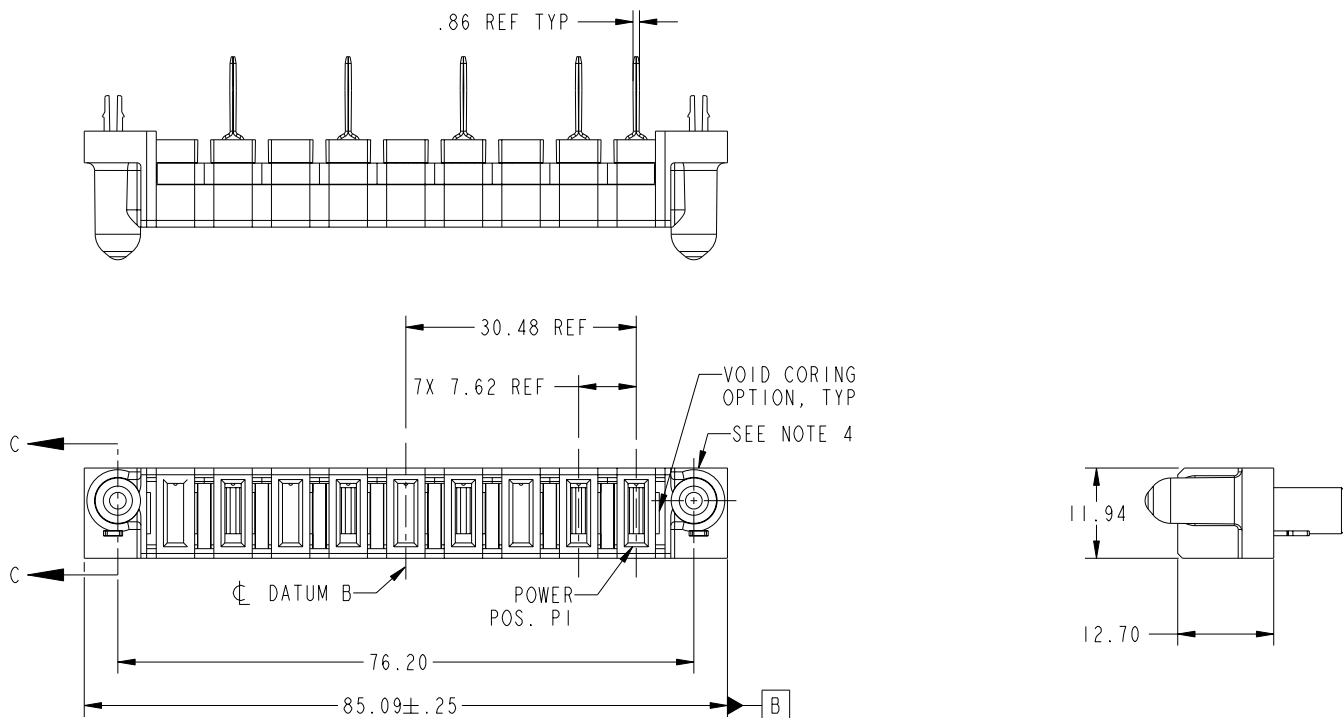


Tous droits strictement réservés. Reproduction ou communication o des tiers interdite sous quelque forme que ce soit sans autorisation écrite du propriétaire. Propriete de c FCI. Droits de reproduction FCI.



All rights strictly reserved. Reproduction or issue to third parties in any form whatever is not permitted without written authority from the proprietor. Property of FCI. Copyright FCI.

PRODUCT NO.	POWER								POWER		
	E2	P9	P8	P7	P6	P5	P4	P3	P2	P1	E1
51940-199-- NOTE: 3		X	PH	X	PH	X	PH	X	PG	PG	



CODE	DIM "M" MATING LENGTH	CONTACT TYPE
PH	[2.34]	POWER
PG	[1.07]	POWER
HA	[N/A]	HOLD-DOWN
X	OMITTED	

mat'l code				SEE NOTES		tolerances unless otherwise specified		CUSTOMER		FCI www.fciconnect.com	
ltr	ecn no.	dr	date	linear	0.X ± 0.3	projection		COPY		title	
A	DG06-0413	JULIA	10/11/06	angles	0.XX ± 0.13			MM		9P VERTICAL CABLE RECEPTACLE	
				dr	0.XXX ± 0.051	JULIA WANG 10/11/06		product family		PwrBlade code	
				enr	0° ± 2°	RYAN YUAN 10/11/06		size		213	
				chr		BEER FU 10/11/06		dwg no		51940-199	
				appd		JOSEPH HSIA 10/11/06		A		sheet 1 of 4	
sheet index	revision sheet	A 1	A 2	A 3	A 4			scale 1:1			

1 | 2

Pro/E

3 |

cage code 22526

4

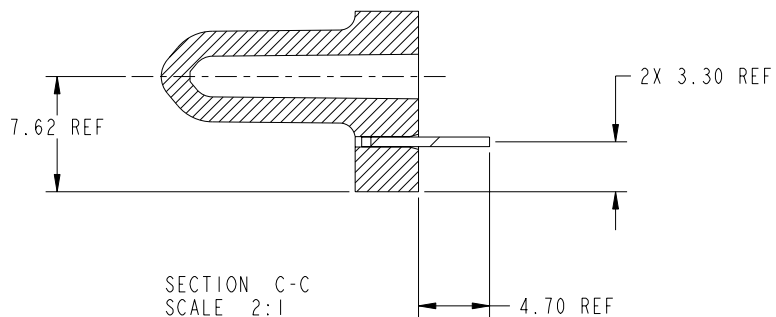
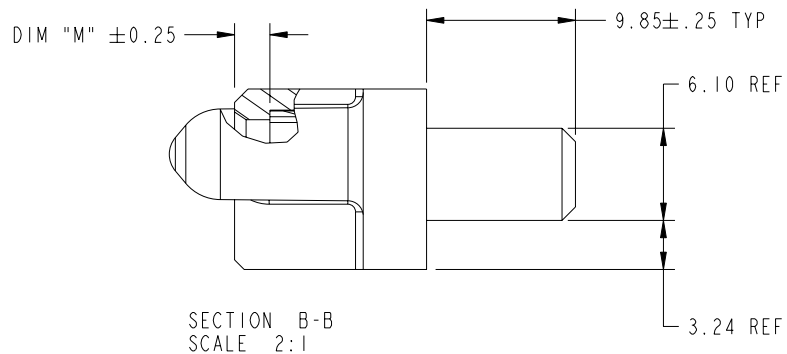
Tous droits strictement reserves. Reproduction ou communication o des tiers interdite sous quelque forme que ce soit sans autorisation ecrite du proprietaire. Propriete de c FCI. Droits de reproduction FCI.

All rights strictly reserved. Reproduction or issue to third parties in any form whatever is not permitted without written authority from the proprietor. Property of FCI. Copyright FCI.



PRODUCT NUMBER

51940-199__
NOTE: 3



mat'l code				tolerances unless otherwise specified		CUSTOMER	FCI www.fciconnect.com	
ltr	ecm no.	dr	date	linear	0.X ±0.3	COPY	title	
A					0.XX ±0.13	projection	9P	
				angles	0.XXX ±0.051		VERTICAL CABLE RECEPTACLE	
					0° ±2°		product family	PwrBlade
		dr	JULIA WANG	10/11/06		scale	size	code
		enr	RYAN YUAN	10/11/06		1:1	dwg no	213
		chr	BEER FU	10/11/06			A	51940-199
		appd	JOSEPH HSIA	10/11/06				sheet
sheet index	revision sheet							2 of 4

cage code 22526

Pro/E

PDM: Rev:A

STATUS: Released

Printed: Dec 20, 2010

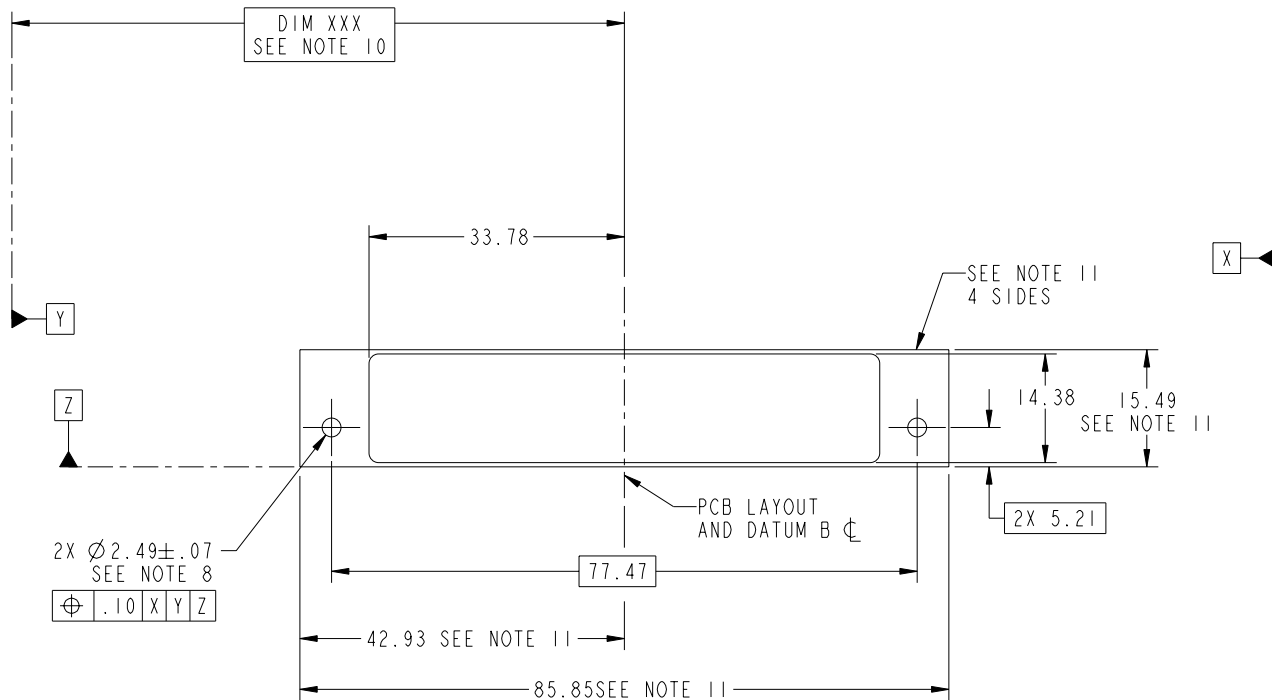
Tous droits strictement reserves. Reproduction ou communication o des tiers interdite sous quelque forme que ce soit sans autorisation ecrite du proprietaire. Propriete de c FCI. Droits de reproduction FCI.



All rights strictly reserved. Reproduction or issue to third parties in any form whatever is not permitted without written authority from the proprietor. Property of FCI. Copyright FCI.

PRODUCT NUMBER

51940-199__
NOTE: 3



2X $\varnothing 2.49 \pm 0.07$
SEE NOTE 8
 $\varnothing .10$ X Y Z

PCB LAYOUT
AND DATUM B \varnothing

mat'l code				tolerances unless otherwise specified		CUSTOMER	FCI www.fciconnect.com	
ltr	ecr no.	dr	date	linear	$0.X \pm 0.3$	COPY	title	
A					$0.XX \pm 0.13$	projection	9P VERTICAL CABLE RECEPTACLE	
				angles	$0.XXX \pm 0.051$		product family	
				dr	$0^\circ \pm 2^\circ$	MM	PwrBlade	code
				enr	JULIA WANG 10/11/06	scale	size	213
				chr	RYAN YUAN 10/11/06	1:1	dwg no	sheet
				appd	BEER FU 10/11/06		A	3 of 4
					JOSEPH HSIA 10/11/06		51940-199	
sheet index	revision sheet							

cage code 22526

Pro/E

PDM: Rev:A

STATUS: Released

Printed: Dec 20, 2010

Tous droits strictement reserves. Reproduction ou communication o des tiers interdite sous quelque forme que ce soit sans autorisation ecrite du proprietaire. Propriete de c FCI. Droits de reproduction FCI.



All rights strictly reserved. Reproduction or issue to third parties in any form whatever is not permitted without written authority from the proprietor. Property of FCI. Copyright FCI.

PRODUCT NUMBER

51940-199__
NOTE: 3

NOTES:

1. DIMENSIONS AND TOLERANCES ARE IN ACCORDANCE WITH ASME Y14.5M, 1994 UNLESS OTHERWISE SPECIFIED.

CONNECTOR NOTES:

- 2 HOUSING MATERIAL: UL 94 V-0 GLASS FILLED
HIGH-TEMP THERMOPLASTIC
POWER CONTACT MATERIAL: COPPER ALLOY
SIGNAL PIN MATERIAL: COPPER ALLOY
- 3. PLATING SPEC.
51940-199,51940-199LF PLATING SPEC. WAS SHOWN IN THE PRINT OF 10064183.
- 4 MANUFACTURER'S NAME, P/N, AND DATE CODE TO APPEAR ON THIS SURFACE.
- 5. PRODUCT SPECIFICATION GS-12-149.
APPLICATION SPECIFICATION BUS-20-067.
- 6. PACKAGED IN TRAYS.

PCB NOTES:

- 7. ALL HOLE DIAMETERS ARE FINISHED HOLE SIZE.
- 8 MOUNTING HOLES, WHERE APPLICABLE, ARE UNPLATED.
- 9 $\varnothing 1.151 \pm 0.025$ DRILLED HOLES PLATED WITH
0.008 MIN SnPb OR Sn OVER 0.03
TO 0.08 Cu PLATING TO ACHIEVE
 $\varnothing 1.02 \pm .07$ HOLE.
- 10 "DIM XXX" TO BE DETERMINED BY THE CUSTOMER.
- 11 CONNECTOR KEEP-OUT ZONE.

mat'l code				tolerances unless otherwise specified		CUSTOMER	FCI www.fciconnect.com		
ltr	ecn no.	dr	date	linear	0.X ± 0.3	COPY	title		
A				linear	0.XX ± 0.13	projection	9P		
				angles	0° ± 2°		VERTICAL CABLE RECEPTACLE		
		dr	JULIA WANG	10/11/06		MM ←→	product family	PwrBlade	code
		enr	RYAN YUAN	10/11/06			size	dwg no	213
		chr	BEER FU	10/11/06			A	51940-199	
		appd	JOSEPH HSIA	10/11/06	scale			4 of 4	
sheet index	revision sheet								

cage code 22526

Pro/E

PDM: Rev:A

STATUS: Released

Printed: Dec 20, 2010