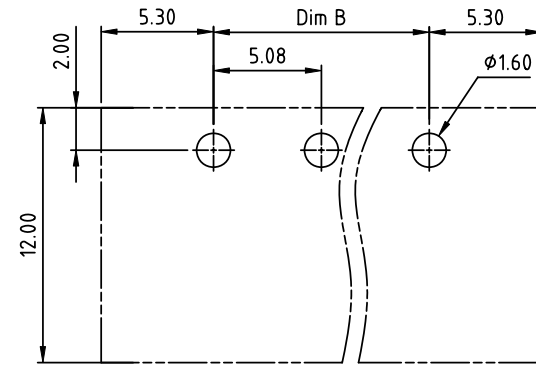
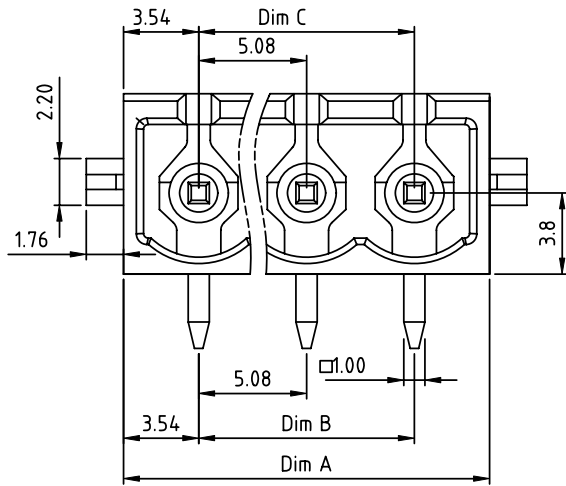
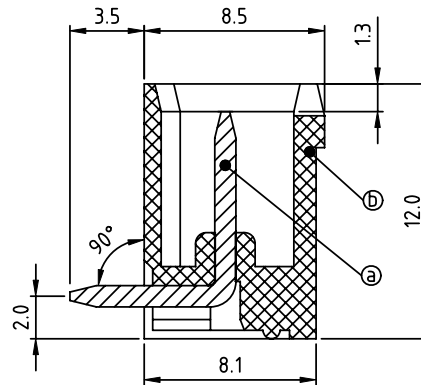
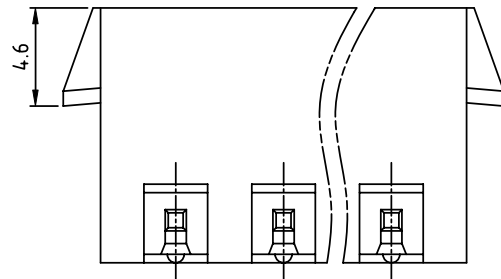


PRODUCT NUMBER	PITCH
OQxx54x103J0G	5.08 mm



RECOMMENDED P.C.B LAYOUT  
TOP VIEW



Material:

- Item ① Male contact pin: Copper Tin plated
- Item ② Terminal housing: Thermoplastic (UL94V-0)

Electrical:

- Voltage rating: 300V/300V/300V
- Current rating: 20A/20A/20A
- Withstanding Voltage: 1.6 KV/2.5KV/2.5KV
- Operating temperature: -40°C to +115°C
- Soldering temperature: 260°C±5°C/5 Sec
- Safety Approval: cULus /VDE /TUV

DIMENSION

Dim A	N×5.08+2.0
Dim B&C	(N-1)×5.08

N = Number of poles

Poles	Tolerance
2-6p	±0.15
7-12p	±0.20
13-18p	±0.30
19-24p	±0.40

PART NO.: OQ xx 5 4 x 1 03J0 G

No. of poles	0	Body Color	Black (RAL9005)	RoHS compliant	(lead<4% In copper Alloy)
02	2 poles	2	Red (RAL3001/D)		
03	3 poles	3	Orange(RAL2011/P)		
...	...	4	Yellow(RAL1018/A)		
24	24 poles	5	Green(RAL6018/T)		
		6	Blue (RAL5015/A)		
		8	Grey(RAL7035/D)		
		9	White(RAL1102)		
		C	Green(RAL6018/U)		

mat'l. code		surface ASME Y14.5	tolerance ASME Y14.5	projection	product family
ltr	ecn no	dr	date	tolerances unless otherwise specified	TERMINAL BLOCK
				angles X°±1°	title
				φ X.XX±0.1	TERMINAL BLOCK
				scale	PLUGGABLE SOCKET, WITH LATCH, RIGHT ANGLE
		dr	HANKE FENG	040314	sheet 1 of 1
		enr	HANKE FENG	040314	size
		chr	SHI JUN	040314	A4
		appd	SHI JUN	040314	type
					CUSTOMER Drawing
sheet index	revision	A			
	sheet	1			