

4

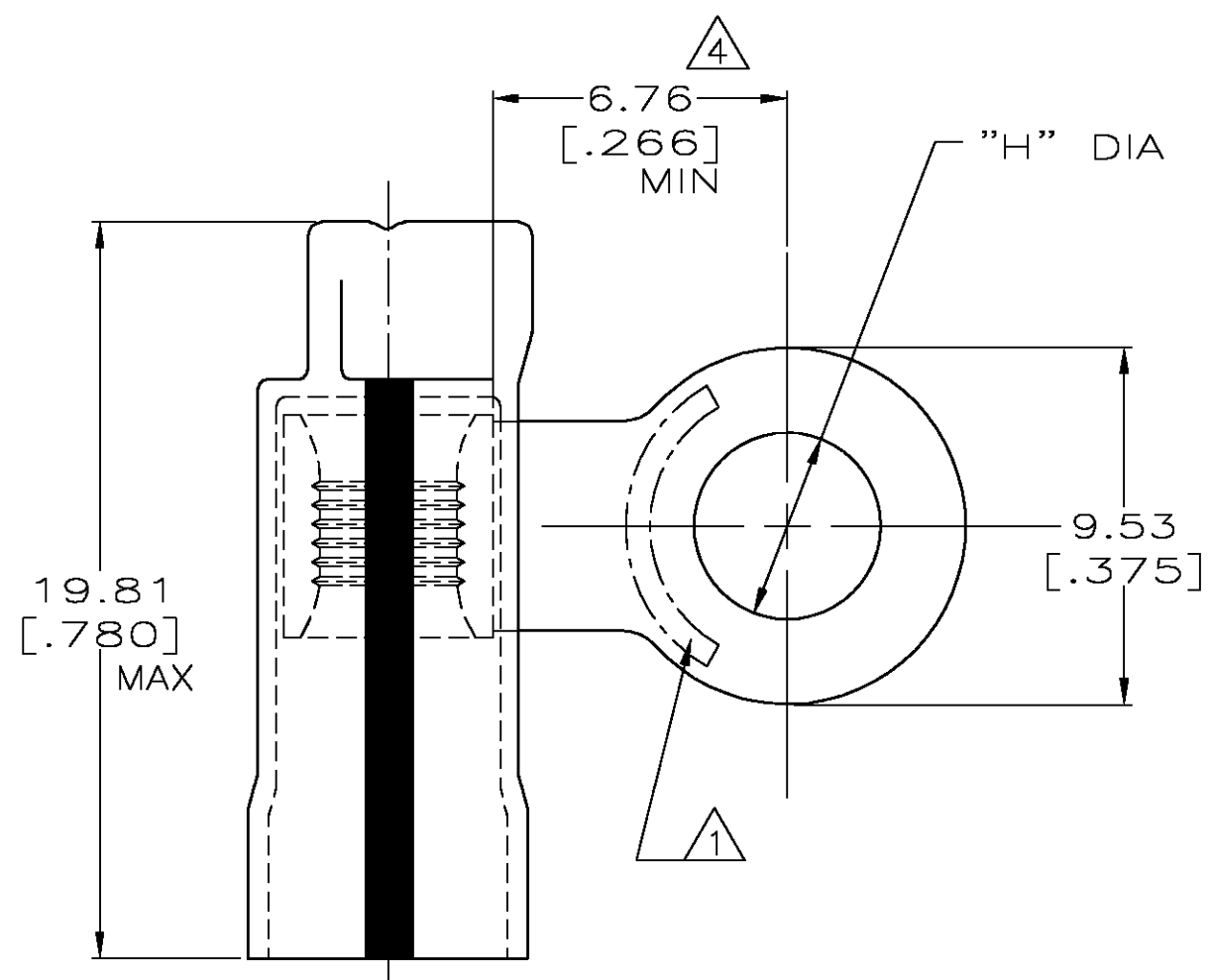
3

2

1

THIS DRAWING IS UNPUBLISHED. RELEASED FOR PUBLICATION .19 .  
 © COPYRIGHT 19 BY AMP INCORPORATED. ALL RIGHTS RESERVED.

LOC	DIST	REVISIONS			
P	LTR	DESCRIPTION	DATE	DWN	APVD
G	14	B	REV PER 0G3A-0249-03	23APR03	JR TM



**AMP**  
WIRE RANGE  
12-10 AWG  
SOLID OR STRANDED

- △ 1 STAMP AMP 12-10\*, LOCATED APPROX AS SHOWN.
- 2 WIRE INSULATION DIA. 3.81-5.84 [.150-.230].
- 3 TONGUE MATERIAL THK: 1.07 [.042] MAX
- △ 4 FROM EDGE OF METAL WIRE BBL TO CENTER OF STUD HOLE.
- △ 5 PRELIMINARY - NOT FOR PRODUCTION

QTY	STUD SIZE	"H" DIA	PACKAGE TYPE	PART NO
500	#8	4.34±0.08 [.171±.003]	LOOSE PIECE	2-696289-2
500	#6	3.68±0.08 [.145±.003]	LOOSE PIECE	△ 5 1-696289-1

AMP INCORPORATED CUSTOMER SERVICE SYSTEM		MAX RECOMMENDED OPERATING TEMPERATURE: 105° C [221° F]	THIS DRAWING IS A CONTROLLED DOCUMENT FOR AMP INCORPORATED. IT IS SUBJECT TO CHANGE AND THE CONTROLLING ENGINEERING ORGANIZATION SHOULD BE CONTACTED FOR THE LATEST REVISION.		DWN JR RUTH 30JAN01	<b>AMP</b> AMP Incorporated Harrisburg, PA 17105-3608
FOR ADDITIONAL PRODUCT INFORMATION OR COPIES OF DRAWINGS AND TECHNICAL DOCUMENTS	PRODUCT INFORMATION CENTER 1-800-522-6752		DIMENSIONS: mm [in]	TOLERANCES UNLESS OTHERWISE SPECIFIED:	CHK T MICHIELUTTI 30JAN01	
FOR APPLICATION TOOLING INFORMATION	TOOLING ASSISTANCE CENTER 1-800-722-1111	VOLTAGE RATING: 300V MAX	0 PLC ±- 1 PLC ±- 2 PLC ±0.20 [.008] 3 PLC ±- 4 PLC ±- ANGLES ±-	APVD T MICHIELUTTI 30JAN01	PRODUCT SPEC	TERMINAL, FLAG, RING TONGUE, PLASTI-GRIP, WIRE SIZE: 12-10 AWG
FOR ORDER ENTRY	1-800-526-5142	CIRCULAR MIL AREA: 2.62mm <sup>2</sup> -6.64mm <sup>2</sup> [5180-13100]	MATERIAL BODY: COPPER ASTM B 152 SLEEVE: PVC, NATURAL W/ YELLOW STRIPE	FINISH TIN PL PER ASTM B545	APPLICATION SPEC	SIZE A3
		SOLID OR STRANDED	CUSTOMER DRAWING		WEIGHT -	CAGE CODE 00779
					DRAWING NO C-696289	SCALE 5:1
					SHEET 1 OF 1	REV B