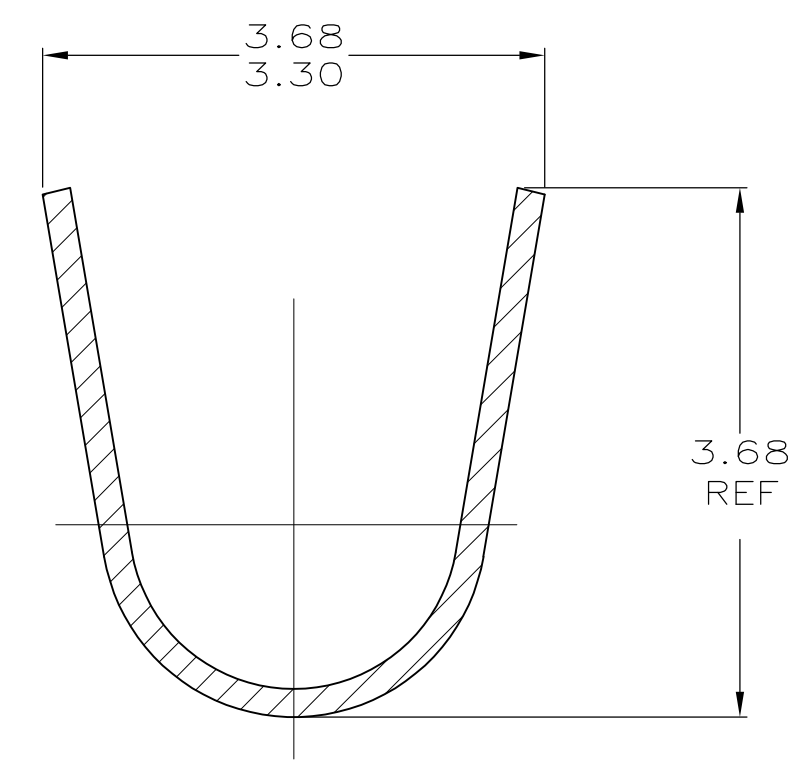
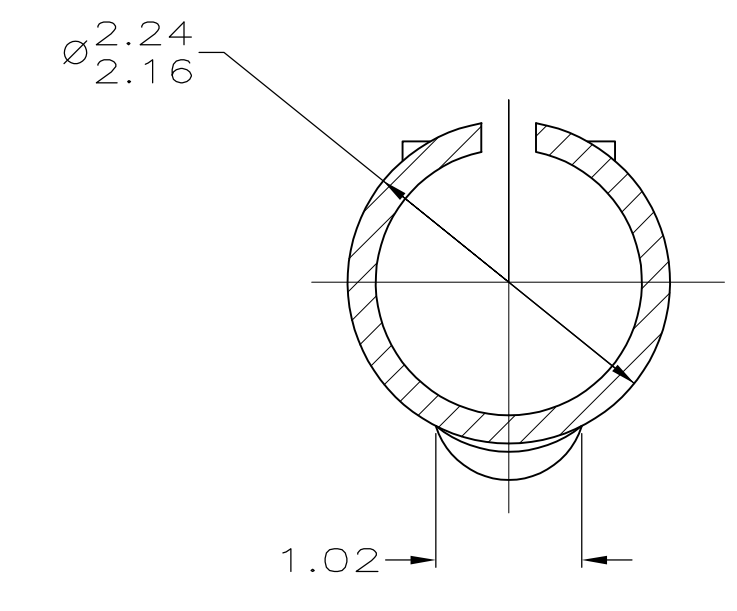
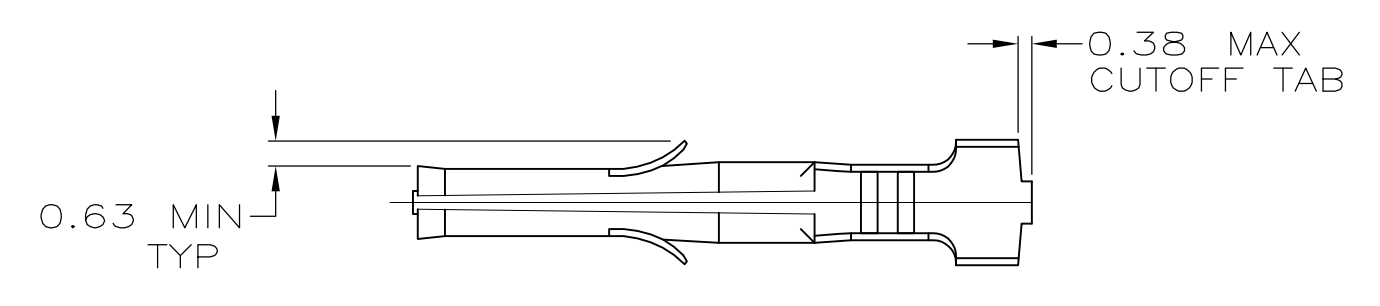


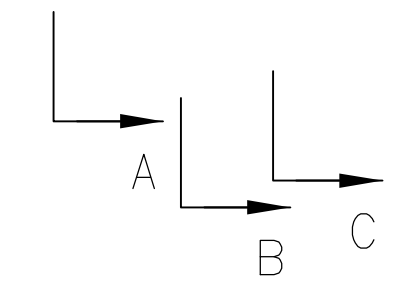
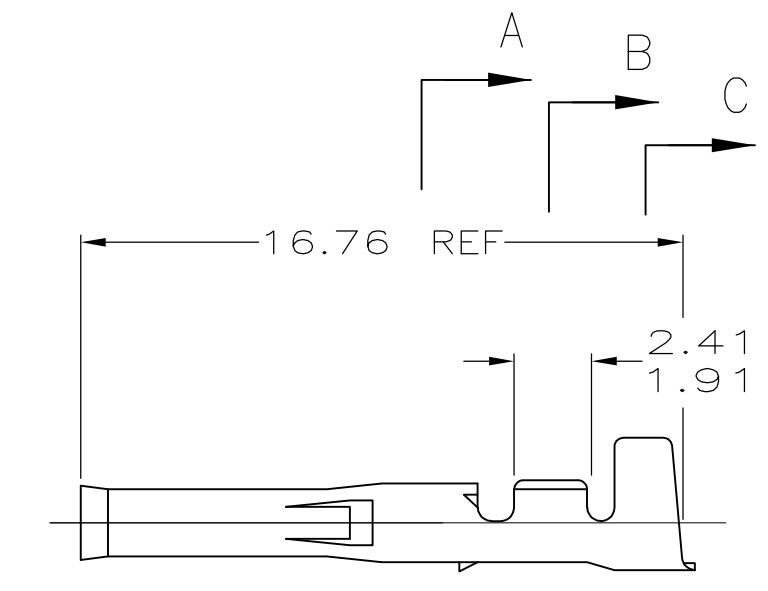
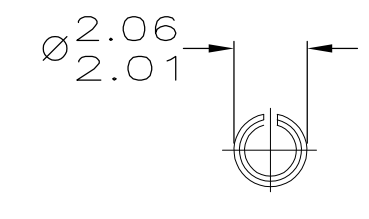
SECTION B-B
SCALE 20:1



SECTION C-C
SCALE 20:1



SECTION A-A
SCALE 10:1



16.76	.660
3.68	.145
3.30	.130
2.79	.110
2.41	.095
2.29	.090
2.24	.088
2.16	.085
2.06	.081
2.01	.079
1.91	.075
1.27	.050
1.02	.040
0.63	.025
0.38	.015
0.20	.008
0.13	.005
MM	IN

CONVERSION TABLE

METRIC

PRE-TIN	0.20 BRASS	1.27-2.79	0.2 - 0.9 mm ² (24-18 AWG)	794016-1
FINISH	MATERIAL	INSULATION DIAMETER	WIRE RANGE	PART NO
THIS DRAWING IS A CONTROLLED DOCUMENT.				
DIMENSIONS: MM(INCHES)		TOLERANCES UNLESS OTHERWISE SPECIFIED:		APVD C. CASH 7-15-93
0 PLC ± .13		1 PLC ± .13		NAME
2 PLC ± .13		3 PLC ± .13		PRODUCT SPEC
4 PLC ± .13		ANGLES ± (°) 30'		APPLICATION SPEC
MATERIAL SEE TABLE	FINISH SEE TABLE	WEIGHT	SIZE A1	CAGE CODE 00779
CUSTOMER DRAWING		SCALE 5:1	SHEET 1	OF 1
		REV P	DRAWING NO C=794016	