

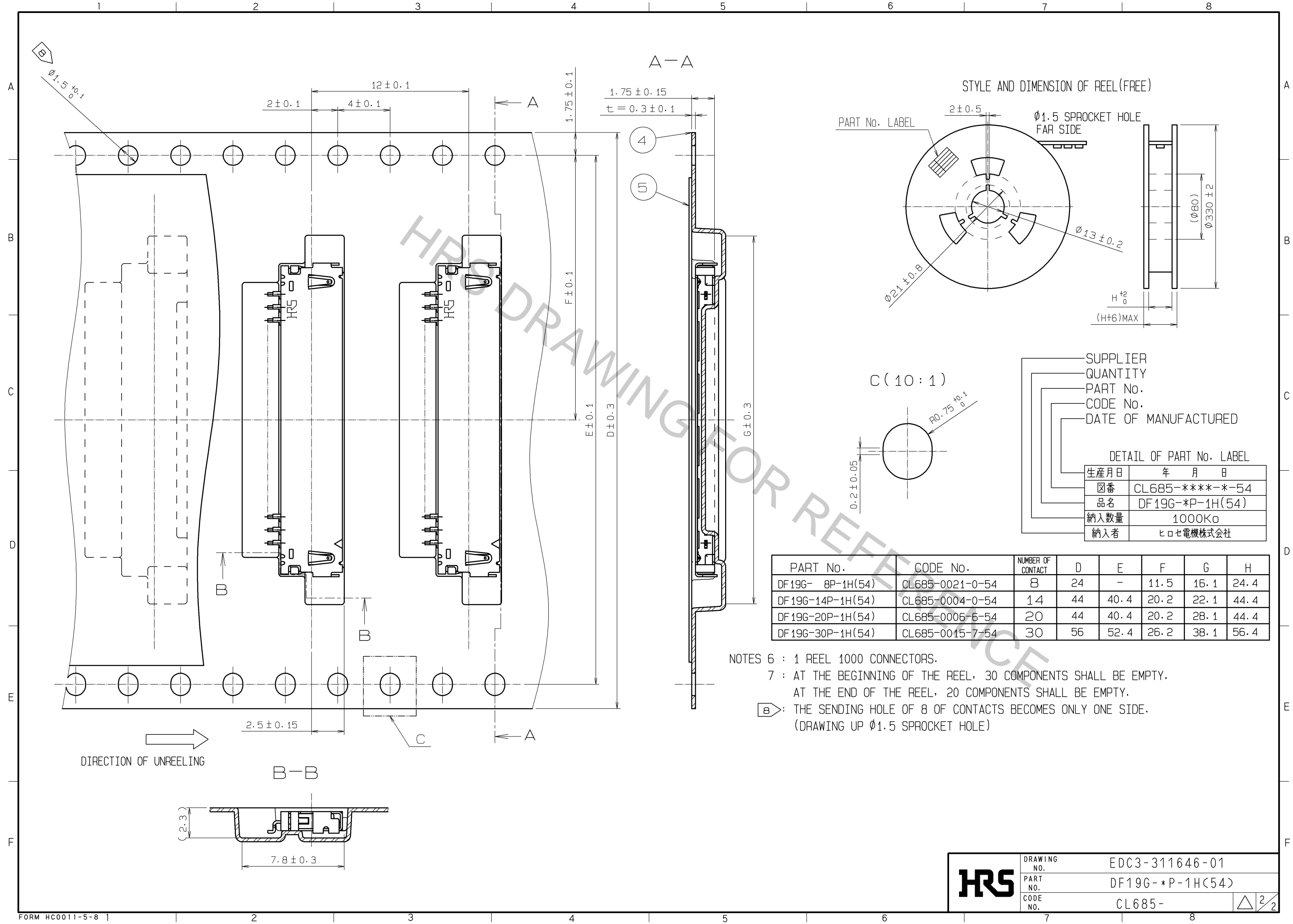
| PART No. | CODE No. | NUMBER OF CONTACT | A | B | C |
|------------------|-----------------|-------------------|-------|----|-------|
| DF19G- 8P-1H(54) | CL685-0021-0-54 | 8 | 11.55 | 7 | 11.95 |
| DF19G-14P-1H(54) | CL685-0004-0-54 | 14 | 17.55 | 13 | 17.95 |
| DF19G-20P-1H(54) | CL685-0006-6-54 | 20 | 23.55 | 19 | 23.95 |
| DF19G-30P-1H(54) | CL685-0015-7-54 | 30 | 33.55 | 29 | 33.95 |

NOTES 1 :LEAD CO-PLANARITY SHALL BE 0.1mm MAX.
 (2): IF SOLDERING PADS IS LONG, THERE IS A POSSIBILITY THAT IT WILL MAKE CONTACT WITH THE METAL SHELL.
 (3): IF THERE IS PATTERN ON (Hatched) PART, THERE IS A POSSIBILITY THAT IT WILL MAKE CONTACT WITH THE METAL SHELL.
 (4): RECOMMENDED THICKNESS OF CREAM SOLDER PASTE: 0.15mm
 OPEN AREA RATIO: 100%

| NO. | MATERIAL | FINISH, REMARKS | NO. | MATERIAL | FINISH, REMARKS |
|-----|-----------------|---|-----|-----------------|--|
| 2 | PHOSPHOR BRONZE | LEAD AREA:TIN PLATED 1#m min (5) UNDER PLATING:NICKEL PLATED 0.5#m min | 3 | PHOSPHOR BRONZE | LEAD AREA:TIN-COPPER PLATED 1#m min UNDER PLATING:NICKEL PLATED 1#m min |
| 1 | POLYAMIDE | BLACK, UL94V-0 | 4 | PS | CLEAR(EMBOSSD CARRIER TAPE) |
| | | | 5 | POLYESTER | CLEAR(COVER TAPE) |

| UNITS | SCALE | COUNT | DESCRIPTION OF REVISIONS | DESIGNED | CHECKED | DATE |
|-------|-------|-------|-----------------------------------|----------|---------|------|
| mm | 5 : 1 | △ | APPROVED : TS. SAKATA 09.03.02 | | | |
| | | | CHECKED : TS. KUMAZAWA 09.03.02 | | | |
| | | | DESIGNED : SN. KOBAYASHI 09.02.27 | | | |
| | | | DRAWN : SN. KOBAYASHI 09.02.27 | | | |

| | |
|-------------|-----------------|
| DRAWING NO. | EDC3-311646-01 |
| PART NO. | DF19G-*P-1H(54) |
| CODE NO. | CL685- |



SUPPLIER
 QUANTITY
 PART No.
 CODE No.
 DATE OF MANUFACTURED

DETAIL OF PART No. LABEL

| | |
|------|-----------------|
| 生産月日 | 年 月 日 |
| 図番 | CL685-****-*-54 |
| 品名 | DF19G-*P-1H(54) |
| 納入数量 | 1000Ko |
| 納入者 | ヒロセ電機株式会社 |

| PART No. | CODE No. | NUMBER OF CONTACT | D | E | F | G | H |
|------------------|-----------------|-------------------|----|------|------|------|------|
| DF19G- 8P-1H(54) | CL685-0021-0-54 | 8 | 24 | - | 11.5 | 16.1 | 24.4 |
| DF19G-14P-1H(54) | CL685-0004-0-54 | 14 | 44 | 40.4 | 20.2 | 22.1 | 44.4 |
| DF19G-20P-1H(54) | CL685-0006-6-54 | 20 | 44 | 40.4 | 20.2 | 28.1 | 44.4 |
| DF19G-30P-1H(54) | CL685-0015-7-54 | 30 | 56 | 52.4 | 26.2 | 38.1 | 56.4 |

NOTES 6 : 1 REEL 1000 CONNECTORS.
 7 : AT THE BEGINNING OF THE REEL, 30 COMPONENTS SHALL BE EMPTY.
 AT THE END OF THE REEL, 20 COMPONENTS SHALL BE EMPTY.
 B: THE SENDING HOLE OF 8 OF CONTACTS BECOMES ONLY ONE SIDE.
 (DRAWING UP $\phi 1.5$ SPROCKET HOLE)

| | | |
|------------|-------------|-----------------|
| HRS | DRAWING NO. | EDC3-311646-01 |
| | PART NO. | DF19G-*P-1H(54) |
| | CODE NO. | CL685- |