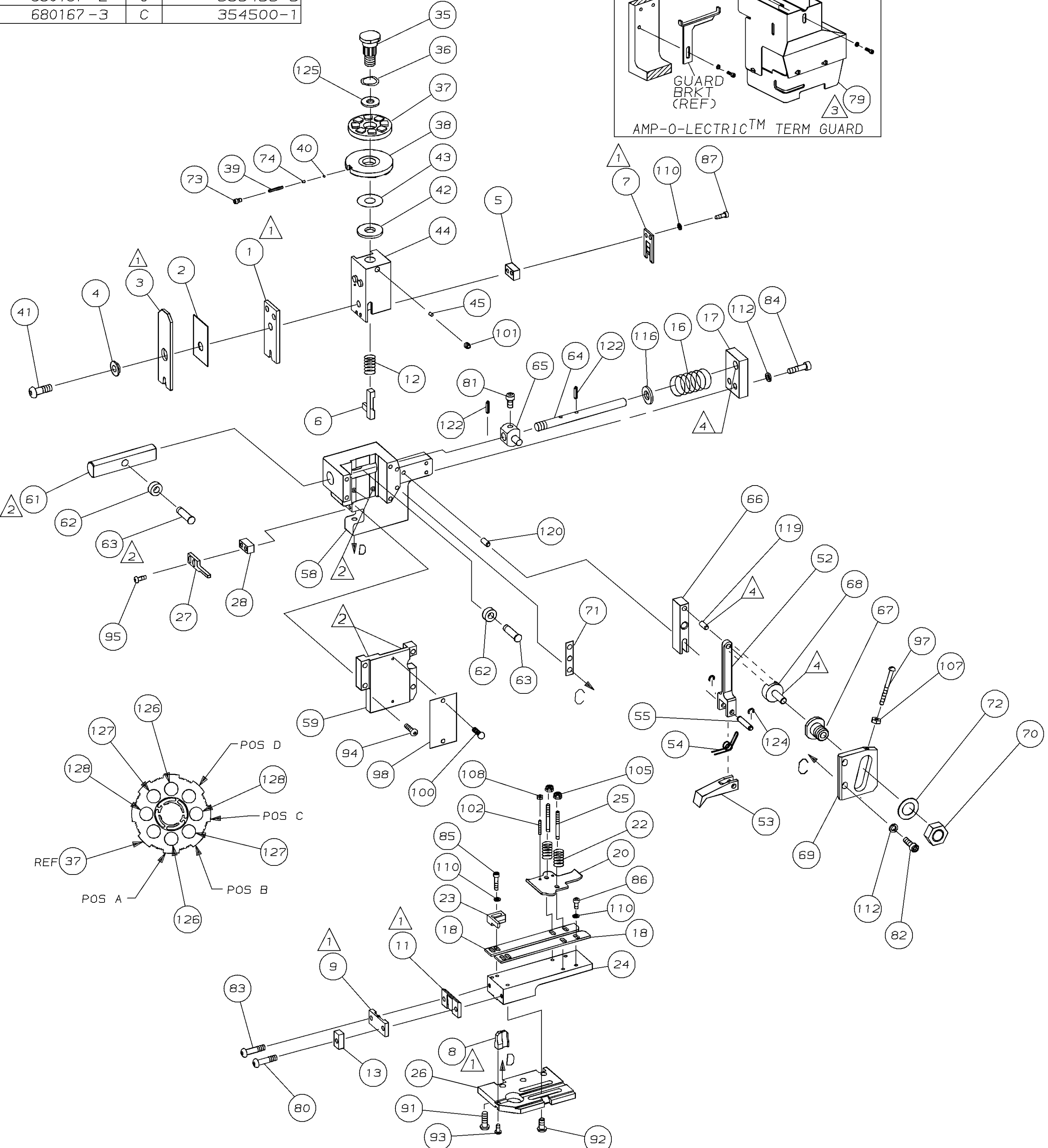
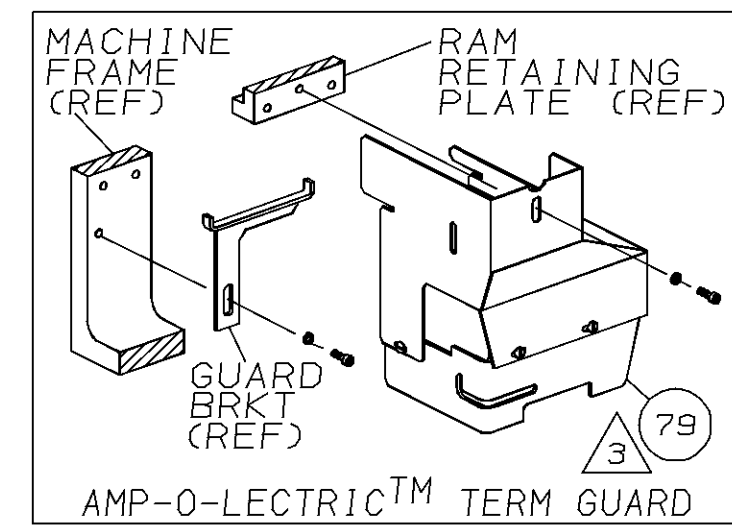


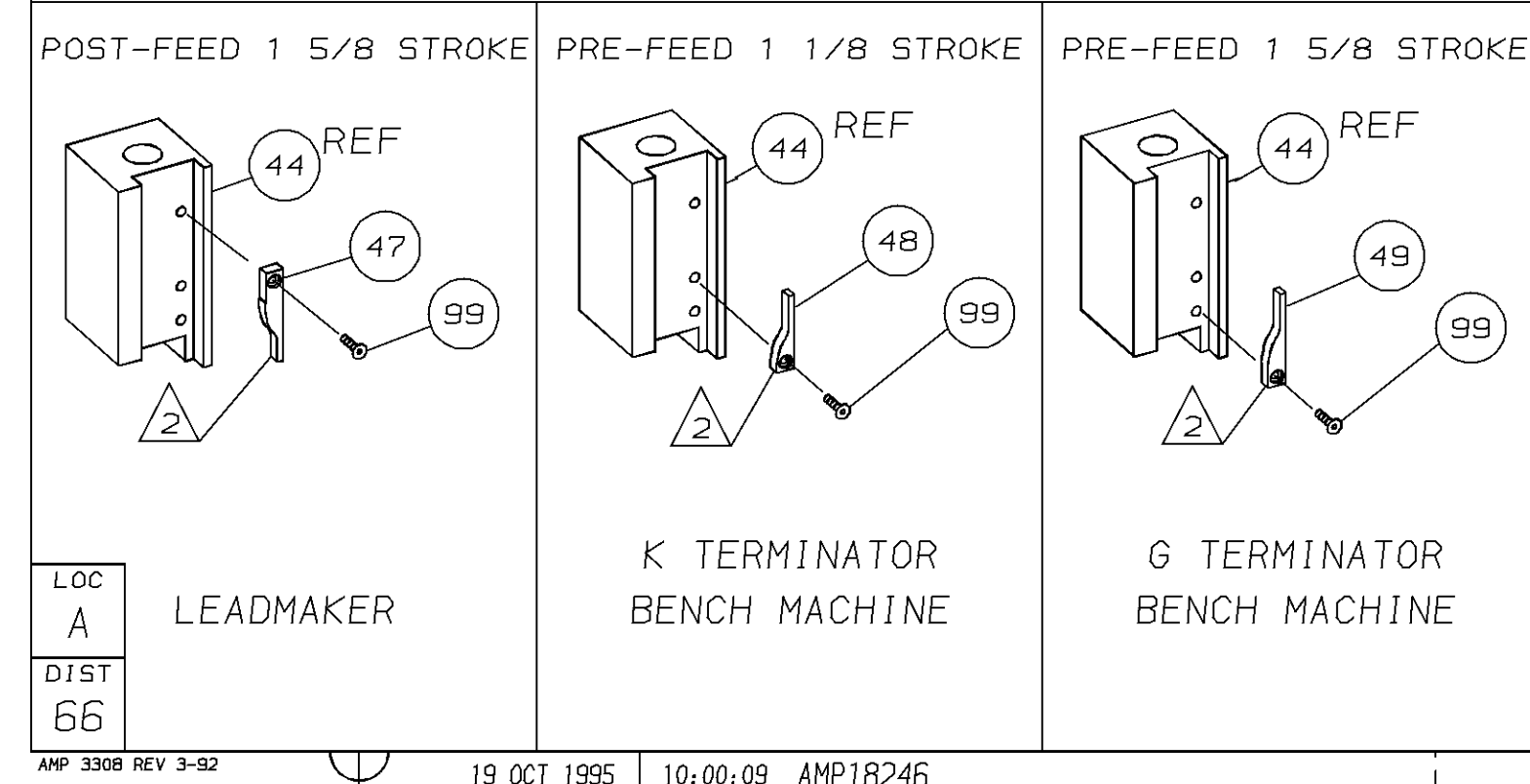
PART NUMBER	REV	FIRST USED
680167-1	C	122500-1
680167-2	C	565435-5
680167-3	C	354500-1



TERMINAL NAME: 9.5 SERIES FASTIN - FASTON™ REC			
963851			
CRIMPING DATA			
PAD LTR	CRIMP HEIGHT	WIRE SIZE	
A	.134 ±.002 [3.4 ±0.05mm]	10mm ²	
B	.122 ±.002 [3.09 ±0.05mm]	8 mm ²	
C	.109 ±.002 [2.78 ±0.05mm]	6 mm ²	
D	NOT	USED	
CRIMP	SIZE	TYPE	RANGE
WIRE	.200 [5.08mm]	F	6 - 10 mm ²
INSUL	.280 [7.11mm]	F	4.5 - 6.6 mm
WIRE STRIP LENGTH	TERM APPL SPEC	FEED	APPL INSTRUCTION
-	-	1.134	408-8039
			SET UP GAGE LAYOUT
			458638-1 L1648

LEADMAKER		MECH POST FEED	
BENCH MODEL	K	MECH PRE FEED	
BENCH MODEL	G	MECH PRE FEED	
REF	REF	REF	- A 22594-8 NUT, HEX 70
REF	REF	REF	- B 240628-1 PLATE, ADJ 69
REF	REF	REF	- B 240626-1 SHAFT, PIVOT 68
REF	REF	REF	- B 240633-1 BUSHING 67
REF	REF	REF	- A 455680-1 LEVER, INTERMEDIATE 66
REF	REF	REF	- B 240629-1 BLOCK, PIVOT 65
REF	REF	REF	- A 240632-2 SCR, ADJ 64
REF	REF	REF	- B 240659-3 PIN, CAM ROLLER 63
REF	REF	REF	- B 240658-1 CAM, ROLLER 62
REF	REF	REF	- B 454398-1 ROD, FEED 61
REF	REF	REF	- C 454220-1 CAP, RAM 60
REF	REF	REF	- D 453736-1 HOUSING 59
REF	REF	REF	- B 240624-1 PIN, FEED FINGER 55
REF	REF	REF	- B 691499-1 SPRING, FEED FINGER 54
REF	REF	REF	- B 240635-1 FINGER, FEED 53
REF	REF	REF	- B 240634-3 LEVER, TERMINAL 52
REF	REF	REF	- C 454220-1 CAP, RAM 59
REF	REF	REF	- D 453736-1 HOUSING 58
REF	REF	REF	- B 690602-6 CAM, PRE-FEED 1 5/8 ST 49
REF	REF	REF	- B 690602-5 CAM, PRE-FEED 1 1/8 ST 48
REF	REF	REF	- B 690501-4 CAM, POST-FEED 1 5/8 ST 47
REF	REF	REF	- A 690191-1 PLUG, NYLON 45
REF	REF	REF	- C 455674-1 RAM 44
REF	REF	REF	- A 690125-1 WASHER, LAMINATED 43
REF	REF	REF	- A 690124-7 WASHER, RAM 42
REF	REF	REF	- A 690686-2 BOLT, CRIMPER (5/16-24x1.00) 41
REF	REF	REF	- A 23241-6 BALL, STEEL 40
REF	REF	REF	- A 690170-1 SPRING, COMPRESSION 39
REF	REF	REF	- C 690142-1 DISC, INSULATION 38
REF	REF	REF	- D 354777-1 WIRE DISC, PLASTIC 37
REF	REF	REF	- A 22480-5 WASHER, SPRING 36
REF	REF	REF	- B 690212-1 POST, RAM 35
REF	REF	REF	- D 458980-2 APPLICATOR, BASIC (SUB ASSY) 32
REF	REF	REF	- A 4-690451-8 SPACER, STRIPPER 28
REF	REF	REF	- A 690455-8 STRIPPER 27
REF	REF	REF	- C 455676-1 PLATE, BASE 26
REF	REF	REF	- A 22354-8 DRAG, STUD 25
REF	REF	REF	- B 458803-5 PLATE, STRIP GUIDE 24
REF	REF	REF	- C 240825-5 PLATE, STRIP HOLD DOWN 23
REF	REF	REF	- A 4-22281-1 SPRING, DRAG 22
REF	REF	REF	- A 454177-1 DRAG, STOCK 20
REF	REF	REF	- C 1-454204-0 GUIDE, STRIP (FRONT) 18
REF	REF	REF	- A 454178-1 GUIDE, FEED ROD 17
REF	REF	REF	- A 4-22284-9 SPRING, FEED RETURN 16
REF	REF	REF	- C 1-690481-0 SPACER, HOLD DOWN 13
REF	REF	REF	- A 23846-1 SPRING, HOLD DOWN 12
REF	REF	REF	- B 240833-3 PLATE, REAR SHEAR 11
REF	REF	REF	- B 690482-5 PLATE, FRONT SHEAR 9
REF	REF	REF	- D 9-683452-4 ANVIL 8
REF	REF	REF	- B 690474-5 BLADE, SLUG 7
REF	REF	REF	- D 1-455892-4 HOLD DOWN, TERMINAL 6
REF	REF	REF	- C 5-240641-1 SPACER, SLUG BLADE 5
REF	REF	REF	- B 238009-1 SPACER, BLOCK CRIMPER 4
REF	REF	REF	- C 8-456134-1 CRIMPER, INSULATION 3
REF	REF	REF	- B 2-455888-3 SPACER, CRIMPER 2
REF	REF	REF	- C 3-458141-9 CRIMPER, WIRE 1

QTY	REF	REF	REF	U/M	DWG SIZE	PART NO	DESCRIPTION	ITEM NO
2	2	2	-	C		8-354778-9	PIN, WIRE DISC (.2940)C	129
2	2	2	-	C		7-354778-1	PIN, WIRE DISC (.2850)B	128
2	2	2	-	C		4-354778-1	PIN, WIRE DISC (.2700)A	126
1	1	1	-	A		986950-1	WASHER, FLAT PRECISION	125
REF	REF	REF	-	A		21045-3	RING, RET "C" (Ø.187)FD PIN	124
REF	REF	REF	-	A		5-21028-1	PIN, STD SPRING (Ø.12)FD ADJ ROD	123
REF	REF	REF	-	A		1-21030-7	PIN, DOWEL (Ø.187x1.50)HSG	120
REF	REF	REF	-	A		1-21030-1	PIN, DOWEL (Ø.187x.50)LEVER	119
REF	REF	REF	-	A		21899-4	WASHER, FLAT (Ø5/16) SCR ADJ	116
REF	REF	REF	-	A		21024-5	WASHER, LOCK (NO.10)FD ROD GDE	112
7	7	7	-	A		21024-4	WASHER, LOCK (NO.8) SHEAR BL	110
2	2	2	-	A		21018-4	NUT, HEX (4-40) DRAG	108
REF	REF	REF	-	A		21018-5	NUT, HEX (6-32)FD ADJ PL	107
2	2	2	-	A		21022-2	NUT, HEX SL (8-32)DRAG STUD	105
2	2	2	-	A		2-21006-6	SCR, SKT SET (4-40x.62)DRAG	102
1	1	1	-	A		21009-2	SCR, SKT SET (1/4-20x.25)RAM	101
2	2	2	-	A		21017-2	SCR, DRIVE (#2x.19) ID PLATE	100
1	1	1	-	A		1-21002-7	SCR, BHC (6-32x.38) CAM	99
1	1	1	-	B		461264-1	PLATE, IDENTIFICATION	98
REF	REF	REF	-	A		6-23715-5	SCR, PAN HD (6-32x1.50)FEED ADJ	97
2	2	2	-	A		2-21002-3	SCR, BHC (8-32x.62) STRIPPER	95
REF	REF	REF	-	A		2-21002-9	SCR, BHC (10-32x.75)HSG CAP	94
1	1	1	-	A		22733-8	SCR, BHC (8-32x.38 LW) ANVIL	93
4	4	4	-	A		3-21002-3	SCR, BHC (1/4-20x.50) ST ØD PL	92
REF	REF	REF	-	A		2-22733-8	SCR, BHC (1/4-20x.62)BASE PL	91
2	2	2	-	A		2-21000-8	SCR, SHC (8-32x.62) SLUG BLADE	87
3	3	3	-	A		2-21000-6	SCR, SHC (8-32x.375) STRIP GUIDE	86
2	2	2	-	A		2-21000-9	SCR, SHC (8-32x.75)R STRIP GUIDE	85
REF	REF	REF	-	A		3-21000-7	SCR, SHC (10-32x.75)FEED ROD GDE	84
1	1	1	-	A		3-21000-6	SCR, SHC (10-32x.62) SHEAR PL	83
REF	REF	REF	-	A		3-21000-6	SCR, SHC (10-32x.62)FEED ADJ PL	82
REF	REF	REF	-	A		3-21000-4	SCR, SHC (10-32x.38)PIVOT BLOCK	81
1	1	1	-	A		3-21002-1	SCR, BHC (10-32x1.00)SHEAR PL	80
-	REF	-	-	A		455745-1	GUARD, WINDOW	79
1	1	1	-	A		690603-1	SPRING, ASSIST	74
1	1	1	-	A		23030-1	SCR, SKT CAP (6-32x.25)CP DSC	73
REF	REF	REF	-	A		458109-1	WASHER, FLAT (SPECIAL)	72
REF	REF	REF	-	A		690517-1	SPACER	71



- 1 RECOMMENDED SPARE PARTS.
- 2 GREASE LIGHTLY.
- 3 GUARD MUST BE IN PLACE WHEN OPERATING APPLICATOR IN A BENCH MACHINE.
- 4 LUBRICATE DAILY USING NO. 20 MACHINE OIL.
- 5. ITEMS WITH QTY OF REF SPECIFIED (EXCEPT ITEMS 78 AND 79) ARE USED ON ITEM 32.

QTY REQD PER ASSY				PARTS LIST			
QTY	REF	REF	REF	U/M	DWG SIZE	PART NO	DESCRIPTION
1	1	1	1	-	C	0150-6471-95	MO 10-95
1	1	1	1	-	A	0150-6314-95	5F 7-95
1	1	1	1	-	A	REVISOR	CE 6/95
1	1	1	1	-	P	REVISION RECORD	APP DATE

QTY REQD PER ASSY				PARTS LIST			
QTY	REF	REF	REF	U/M	DWG SIZE	PART NO	DESCRIPTION
1	1	1	1	-	C	0150-6471-95	MO 10-95
1	1	1	1	-	A	0150-6314-95	5F 7-95
1	1	1	1	-	A	REVISOR	CE 6/95
1	1	1	1	-	P	REVISION RECORD	APP DATE

QTY REQD PER ASSY				PARTS LIST			
QTY	REF	REF	REF	U/M	DWG SIZE	PART NO	DESCRIPTION
1	1	1	1	-	C	0150-6471-95	MO 10-95
1	1	1	1	-	A	0150-6314-95	5F 7-95
1	1	1	1	-	A	REVISOR	CE 6/95
1	1	1	1	-	P	REVISION RECORD	APP DATE

QTY REQD PER ASSY				PARTS LIST			
QTY	REF	REF	REF	U/M	DWG SIZE	PART NO	DESCRIPTION
1	1	1	1	-	C	0150-6471-95	MO 10-95
1	1	1	1	-	A	0150-6314-95	5F 7-95
1	1	1	1	-	A	REVISOR	CE 6/95
1	1	1	1	-	P	REVISION RECORD	APP DATE

QTY REQD PER ASSY				PARTS LIST			
QTY	REF	REF	REF	U/M	DWG SIZE	PART NO	DESCRIPTION
1	1	1	1	-	C	0150-6471-95	MO 10-95
1	1	1	1	-	A	0150-6314-95	5F 7-95
1	1	1	1	-	A	REVISOR	CE 6/95
1	1	1	1	-	P	REVISION RECORD	APP DATE

QTY REQD PER ASSY				PARTS LIST			
QTY	REF	REF	REF	U/M	DWG SIZE	PART NO	DESCRIPTION
1	1	1	1	-	C	0150-6471-95	MO 10-95
1	1	1	1	-	A	0150-6314-95	5F 7-95
1	1	1	1	-	A	REVISOR	CE 6/95
1	1	1	1	-	P	REVISION RECORD	APP DATE

QTY REQD PER ASSY				PARTS LIST			
QTY	REF	REF	REF	U/M	DWG SIZE	PART NO	DESCRIPTION
1	1	1	1	-	C	0150-6471-95	MO 10-95
1	1	1	1	-	A	0150-6314-95	5F 7-95
1	1	1	1	-	A	REVISOR	CE 6/95
1	1	1	1	-	P	REVISION RECORD	APP DATE

QTY REQD PER ASSY				PARTS LIST			
QTY	REF	REF	REF	U/M	DWG SIZE	PART NO	DESCRIPTION
1	1	1	1	-	C	0150-6471-95	MO 10-95
1	1	1	1	-	A	0150-6314-95	5F 7-95
1	1	1	1	-	A	REVISOR	CE 6/95
1	1	1	1	-	P	REVISION RECORD	APP DATE

QTY REQD PER ASSY				PARTS LIST			
QTY	REF	REF	REF	U/M	DWG SIZE	PART NO	DESCRIPTION
1	1	1	1	-	C	0150-6471-95	MO 10-95
1	1	1	1	-	A	0150-6314-95	5F 7-95
1	1	1	1	-	A	REVISOR	CE 6/95
1	1	1	1	-	P	REVISION RECORD	APP DATE

QTY REQD PER ASSY				PARTS LIST			
QTY	REF	REF	REF	U/M	DWG SIZE	PART NO	DESCRIPTION
1	1	1	1	-	C	0150-6471-95	MO 10-95
1	1	1	1	-	A	0150-6314-95	5F 7-95
1	1	1	1	-	A	REVISOR	CE 6/95
1	1	1	1	-	P	REVISION RECORD	APP DATE

QTY REQD PER ASSY				PARTS LIST			
QTY	REF	REF	REF	U/M	DWG SIZE	PART NO	DESCRIPTION
1	1	1	1	-	C	0150-6471-95	MO 10-95
1	1	1	1	-	A	0150-6314-95	5F 7-95
1	1	1	1	-	A	REVISOR	CE 6/95
1	1	1	1	-	P	REVISION RECORD	APP DATE

QTY REQD PER ASSY				PARTS LIST			
QTY	REF	REF	REF	U/M	DWG SIZE	PART NO	DESCRIPTION
1	1	1	1	-	C	0150	