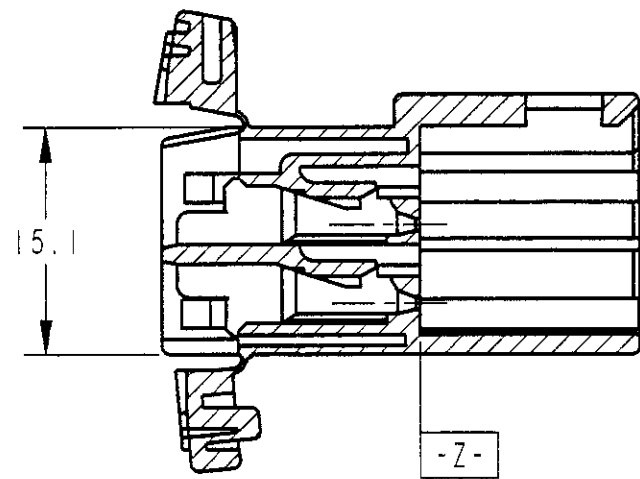
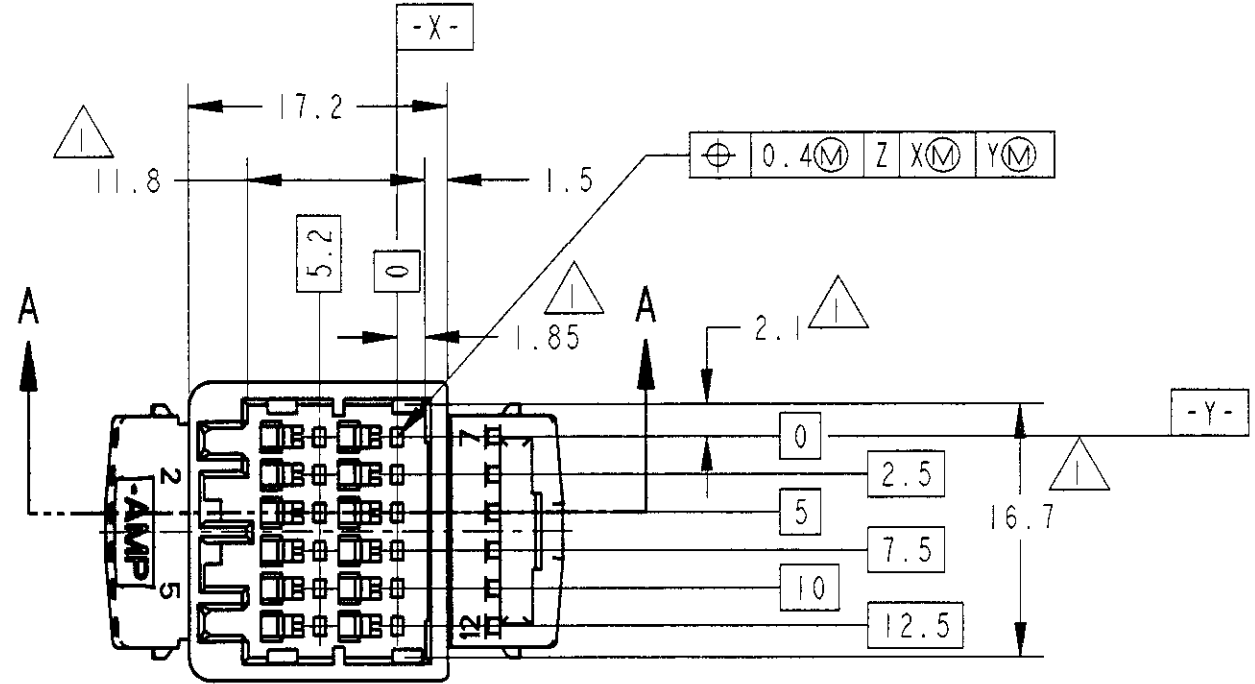
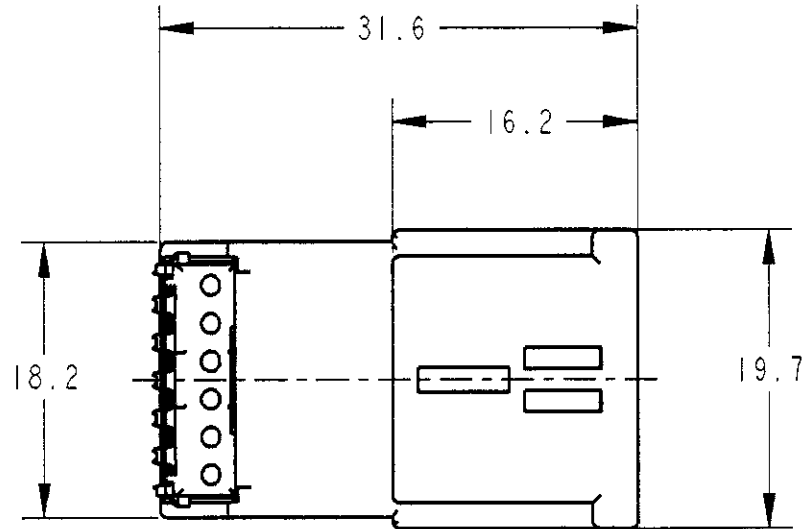


LOC	DIST	REVISIONS						
		P	LTR	DESCRIPTION	ECN	DATE	DWN	APVD
J	-	0		RELEASED	FJ00-0222-00	07JUN00	K.S	K.O



- 1. -Z- 面から2mmの範囲で測定。
- 2. 相手ハウジングと支障なく嵌合できること。
嵌合相手型番 ; 175961
- 3. 適用端子型番 ; 173682

- 1. MUST BE KEPT BETWEEN -Z- AND 2mm.
- 2. MATING WITH PLUG HOUSING SMOOTHLY.
PLUG HOUSING PART NUMBER ; 175961
- 3. APPLICABLE CONTACT PART NUMBER ; 173682

BLACK	1123882-2
COLOR	PART NUMBER

THIS DRAWING IS A CONTROLLED DOCUMENT FOR AMP INCORPORATED. IT IS SUBJECT TO CHANGE AND THE CONTROLLING ENGINEERING ORGANIZATION SHOULD BE CONTACTED FOR THE LATEST REVISION.		DWN K. SHIGA 07JUN00	AMP Tyco Electronics AMP K.K. Kawasaki, Japan
DIMENSIONS: 単位: 概 mm		CHK Y. FUJIWARA 07JUN00	
TOLERANCES UNLESS OTHERWISE SPECIFIED: 一般公差 = ± 0.5		APVD K. ODA 07JUN00	NAME 名称 12 POSITION CAP HOUSING (WIRE TO WIRE) 040 SERIES MULTI-LOCK I/O CONNECTOR MK-II
0-PLC ± 1-PLC ±0.1 2-PLC ±0.01 3-PLC ±0.001 4-PLC ±0.0001 ANGLES ±0.3		PRODUCT SPEC 製品規格 108-5471	SIZE A3
MATERIAL 材料 PBT		APPLICATION SPEC 取付適用規格 114-5108	CAGE CODE 番号 00779
FINISH 仕上 -		WEIGHT 5.8g	DRAWING NO C=1123882
CUSTOMER DRAWING			SCALE 尺度 2:1
			SHEET 1 OF 1
			REV 0