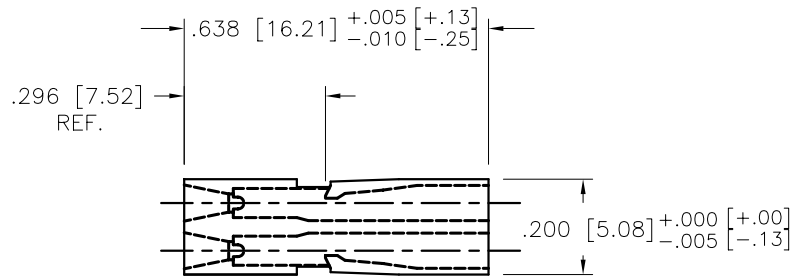
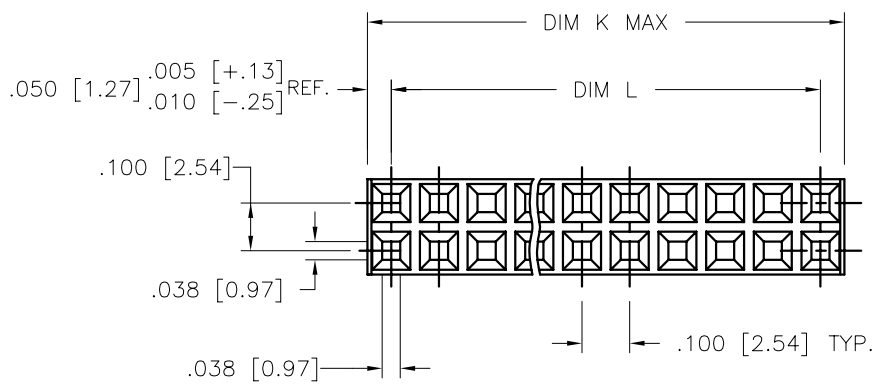
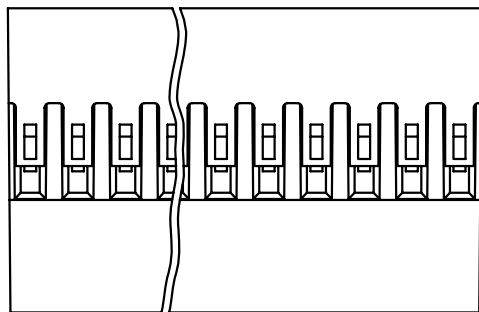


PRODUCT NO.

SEE TABLE



mat'l. code SEE NOTE 1				surface <input checked="" type="checkbox"/>		tolerance		projection <input checked="" type="checkbox"/>		product family PV HOUSINGS	
ltr	ec'n no	dr	date	tolerances unless otherwise specified		title		MINI LATCH HOUSING DR			
F	v03-1289	TAB	2003-12-08	angles	linear	INCH/MM		.100[2.54]CC FOR .318[8.08] PIN			
G	v03-1359	VS	2004-03-10			scale 2:1		sheet 1 of 4 size			
H	v05-0715	HTB	2005-07-29	0°±2'			FCJ		66415		A3
J	v06-0421	HTB	2006-05-09	dr	L. SANDERS	1995-03-28		type Product Customer Drawing			
K	v07-0532	HTB	2007-08-16	engr	L. FYE	1995-03-28					
				chr	T. BREWBAKER	1995-03-28					
				appd	L. FYE	1995-03-28					
sheet index	revision sheet	K	K	K	K	K	K				
		1	2	3	4						

PRODUCT NO.  
SEE TABLE

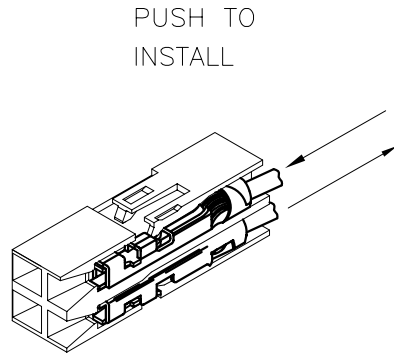


FIGURE 1

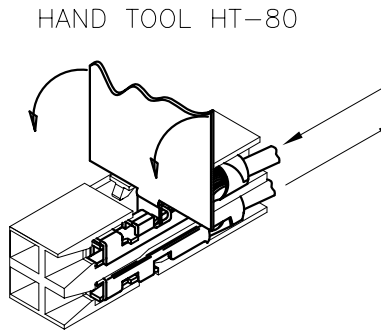


FIGURE 2

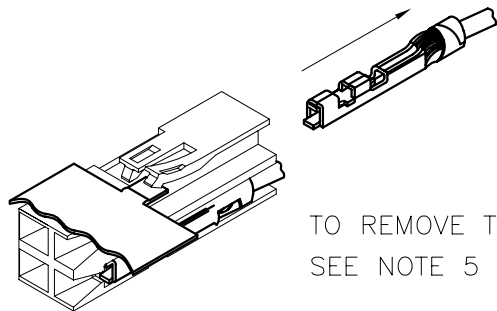


FIGURE 3

NOTES:

1. MOLDING MATERIAL MODIFIED POLYPHENYLENE ETHER, FLAME RETARDANT PER UL 94V-0, COLOR: BLACK.
2. PIN LENGTH TO BE .303/7.70. RECOMMENDED PIN LENGTH IS  $.318 \pm .015$  [8.08  $\pm$  0.38]
3. THIS HOUSING IS INTENDED FOR USE WITH MINI PV™ TERMINAL WITH 22-36 GAUGE WIRE.
4. TO LATCH TERMINAL PUSH AS SHOWN IN FIGURE 1, BE SURE THAT LATCH SNAPS DOWN.
5. TO REMOVE TERMINAL; PUSH TERMINAL FORWARD, LIFT LATCH WITH HAND TOOL AS SHOWN IN FIGURES 2 & 3. DAMAGE TO LATCH MAY OCCURE IF LIFTED MORE THAN A 25° ANGLE TO THE TOP OF HOUSING.
6. TERMINAL MUST BE CRIMPED PROPERLY FOR SATISFACTORY LATCHING. SEE TA-75 FOR CRIMPING INSTRUCTIONS. PRODUCT SPECIFICATION: BUS-12-067.
7. ALL MARKINGS USE 6 POINT TYPE (APPROX. .06/1.52 HIGH) AND WHITE INK (MARKEM #8829 OR EQUIV.) WHEN MARKING CAVITIES, NUMERALS OR LETTERS ARE TO BE CENTERED ON RESPECTIVE CAVITIES UNLESS OTHERWISE NOTED.
8. PRODUCT MEETS EUROPEAN UNION DIRECTIVES AND OTHER COUNTRY REGULATIONS AS DESCRIBED IN GS-22-008.
9. THE PRODUCT IS NOT INTENDED TO BE EXPOSED TO A MANUFACTURING SOLDER PROCESS.



FCJconnect.com

Copyright FCJ

mat'l. code SEE NOTE 1		surface ✓	tolerance	projection ⊕	product family PV HOUSINGS
ltr	ecn no	dr	date	tolerances unless otherwise specified	title
K				angles linear XX*01/XX*3 XXX*005/XXX*13 XXXX*0020/XXX*051	MINI LATCH HOUSING DR .100[2.54]CC FOR .318[8.08] PIN
			0°±2°	INCH/MM scale 2:1	sheet 2 of 4 size
		dr	L. SANDERS	1995-03-28	FCJ 66415 A3
		engr	L. FYE	1995-03-28	
		chr	T. BREWBAKER	1995-03-28	
		appd	L. FYE	1995-03-28	
sheet index	revision sheet				type Product Customer Drawing

PRODUCT NO.	NO OF POS	DIM K MAX	DIM L	STYLE NOTES 7
66415-001LF	72	3.600/91.44	3.500/88.90	
66415-002LF	70	3.500/88.90	3.400/86.36	
66415-003LF	68	3.400/86.36	3.300/83.82	
66415-004LF	66	3.300/83.82	3.200/81.26	
66415-005LF	64	3.200/81.26	3.100/78.74	
66415-006LF	62	3.100/78.74	3.000/76.20	
66415-007LF	60	3.000/76.20	2.900/73.66	
66415-008LF	58	2.900/73.66	2.800/71.12	
66415-009LF	56	2.800/71.12	2.700/68.58	
66415-010LF	54	2.700/68.58	2.600/66.04	
66415-011LF	52	2.600/66.04	2.500/63.50	
66415-012LF	50	2.500/63.50	2.400/60.96	
66415-013LF	48	2.400/60.96	2.300/58.42	
66415-014LF	46	2.300/58.42	2.200/55.88	
66415-015LF	44	2.200/55.88	2.100/53.34	
66415-016LF	42	2.100/53.34	2.000/50.80	
66415-017LF	40	2.000/50.80	1.900/48.26	
66415-018LF	38	1.900/48.26	1.800/45.72	
66415-019LF	36	1.800/45.72	1.700/43.18	
66415-020LF	34	1.700/43.18	1.600/40.64	
66415-021LF	32	1.600/40.64	1.500/38.10	
66415-022LF	30	1.500/38.10	1.400/35.56	
66415-023LF	28	1.400/35.56	1.300/33.02	
66415-024LF	26	1.300/33.02	1.200/30.48	
66415-025LF	24	1.200/30.48	1.100/27.94	
66415-026LF	22	1.100/27.94	1.000/25.40	
66415-027LF	20	1.000/25.40	.900/22.86	
66415-028LF	18	.900/22.86	.800/20.32	
66415-029LF	16	.800/20.32	.700/17.78	
66415-030LF	14	.700/17.78	.600/15.24	
66415-031LF	12	.600/15.24	.500/12.70	
66415-032LF	10	.500/12.70	.400/10.16	
66415-033LF	8	.400/10.16	.300/7.62	
66415-034LF	6	.300/7.62	.200/5.08	
66415-035LF	4	.200/5.08	.100/2.54	
66415-036LF	30	1.500/38.10	1.400/35.56	A
66415-037LF	14	.700/17.78	.600/15.24	A
66415-038LF	72	3.600/91.44	3.500/88.90	D
66415-039LF	70	3.500/88.90	3.400/86.36	D
66415-040LF	68	3.400/86.36	3.300/83.82	D
66415-041LF	66	3.300/83.82	3.200/81.26	D
66415-042LF	64	3.200/81.26	3.100/78.74	D

PRODUCT NO.	NO OF POS	DIM K MAX	DIM L	STYLE NOTES 7
66415-043LF	62	3.100/78.74	3.000/76.20	D
66415-044LF	60	3.000/76.20	2.900/73.66	D
66415-045LF	58	2.900/73.66	2.800/71.12	D
66415-046LF	56	2.800/71.12	2.700/68.58	D
66415-047LF	54	2.700/68.58	2.600/66.04	D
66415-048LF	52	2.600/66.04	2.500/63.50	D
66415-049LF	50	2.500/63.50	2.400/60.96	D
66415-050LF	48	2.400/60.96	2.300/58.42	D
66415-051LF	46	2.300/58.42	2.200/55.88	D
66415-052LF	44	2.200/55.88	2.100/53.34	D
66415-053LF	42	2.100/53.34	2.000/50.80	D
66415-054LF	40	2.000/50.80	1.900/48.26	D
66415-055LF	38	1.900/48.26	1.800/45.72	D
66415-056LF	36	1.800/45.72	1.700/43.18	D
66415-057LF	34	1.700/43.18	1.600/40.64	D
66415-058LF	32	1.600/40.64	1.500/38.10	D
66415-059LF	30	1.500/38.10	1.400/35.56	D
66415-060LF	28	1.400/35.56	1.300/33.02	D
66415-061LF	26	1.300/33.02	1.200/30.48	D
66415-062LF	24	1.200/30.48	1.100/27.94	D
66415-063LF	22	1.100/27.94	1.000/25.40	D
66415-064LF	20	1.000/25.40	.900/22.86	D
66415-065LF	18	.900/22.86	.800/20.32	D
66415-066LF	16	.800/20.32	.700/17.78	D
66415-067LF	14	.700/17.78	.600/15.24	D
66415-068LF	12	.600/15.24	.500/12.70	C
66415-069LF	10	.500/12.70	.400/10.16	C
66415-070LF	8	.400/10.16	.300/7.62	C
66415-071LF	6	.300/7.62	.200/5.08	B
66415-072LF	4	.200/5.08	.100/2.54	B
66415-073LF	28	1.400/35.56	1.300/33.02	E

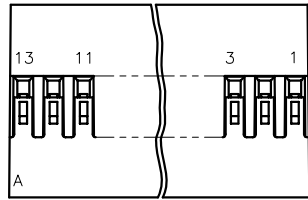
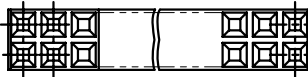
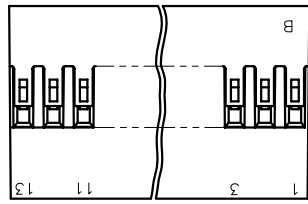


FCIconnect.com

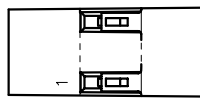
Copyright FCI

mat'l. code		surface		tolerance		projection		product family	
SEE NOTE 1								PV HOUSINGS	
ltr	ecr no	dr	date	tolerances unless otherwise specified				title	
K				angles	linear	INCH/MM		MINI LATCH HOUSING DR	
				0°±2'		scale 1:1		.100[2.54]CC FOR .318[8.08] PIN	
				dr	L. SANDERS	1995-03-28		dwg no	
				engr	L. FYE	1995-03-28		sheet 3 of 4 size	
				chr	T. BREWBAKER	1995-03-28		66415 A3	
				appd	L. FYE	1995-03-28		type Product Customer Drawing	
sheet index	revision sheet								

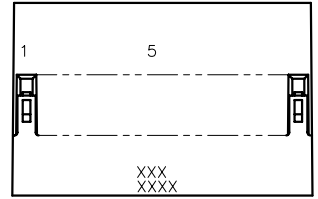
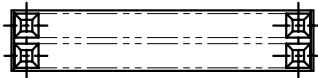
PRODUCT NO.  
SEE TABLE



STYLE A  
MARK NUMBER EVERY OTHER POSITION AND SIDE "A" AND "B" AS SHOWN

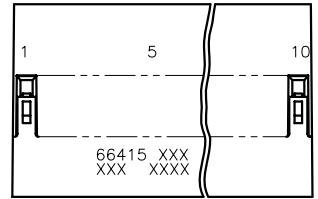
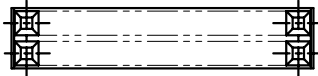


STYLE B  
MARK THE NUMBER 1 CENTERED ON FIRST CAVITY, ONE SIDE ONLY.



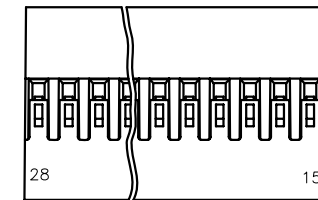
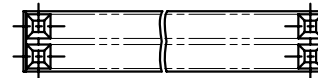
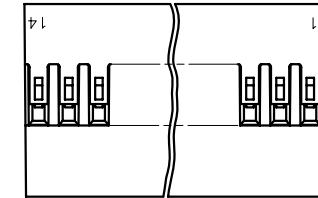
STYLE C

MARK CAVITY NUMBER ON POS. 1, AND IF APPLICABLE, 5 CENTER NUMBER ON RESPECTIVE CAVITY. MARK CO. LOGO AND YEAR WEEK- DATE CODE OF INKING AT THE APPROX. CENTER OF PART AS SHOWN. MARK ONE SIDE ONLY.



STYLE D

MARK CAVITY NUMBER EVERY 5 TH CAVITY. MARK CAVITY 1 ALSO. CENTER NUMBER ON RESPECTIVE CAVITY. MARK CO. LOGO YEAR WEEK- DATE CODE OF INKING AN COMPANY PART NUMBER AT THE APPROX. CENTER OF PART AS SHOWN MARK ONE SIDE ONLY.



MARK AS SHOWN  
STYLE E

mat'l. code SEE NOTE 1				surface <input checked="" type="checkbox"/>		tolerance		projection		product family PV HOUSINGS	
ltr	ecr no	dr	date	tolerances unless otherwise specified		angles		INCH/MM		title	
K				linear		0°±2'		scale 2:1		MINI LATCH HOUSING DR	
				L. SANDERS 1995-03-28		L. FYE 1995-03-28		T. BREWBAKER 1995-03-28		.100[2.54]CC FOR .318[8.08] PIN	
				L. FYE 1995-03-28		L. FYE 1995-03-28		L. FYE 1995-03-28		sheet 4 of 4 size	
sheet index		revision sheet		appd		type		Product Customer Drawing		66415 A3	

FCJ  
FCconnect.com

Copyright FCJ