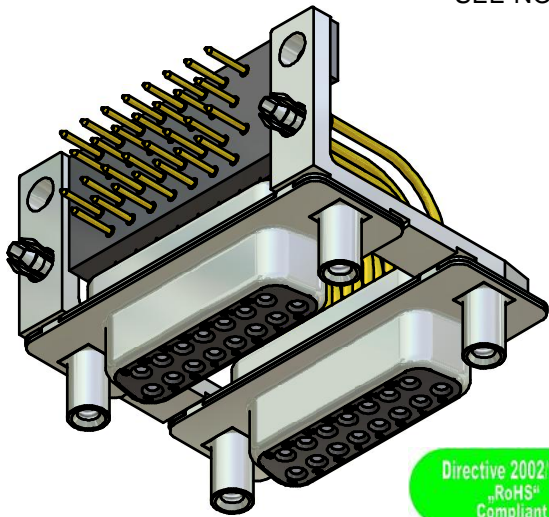


SEE NOTE 10



Directive 2002/95 EC
"RoHS"
Compliant

NOTES:

1. METALSHELLS: STEEL; min. 315µin TIN over 40-80µin NICKEL
2. INSULATORS: PBT GF UL 94 V-0, BLACK
3. CONTACTS: COPPER ALLOY
PLATING: 8µin HARD GOLD over min. 50µin NICKEL
4. METAL BRACKET: ZINC DIE CAST; 300µin COPPER/40-120µin NICKEL/120-200µin TIN
5. THREADED LOCK: COPPER ALLOY; min. 200µin TIN over 80µin NICKEL
6. FIXING PLATE: PBT GF UL 94 V-0, BLACK
7. PCB-SNAP: COPPER ALLOY; min. 200µin TIN over 80µin NICKEL
PCB-HOLE: $\varnothing 3,1 \pm 0,1$ mm; PCB-THICKNESS: 1,6mm
8. P.C.B. HOLE DRILLINGS ON SHEET 2
9. MAXIMUM TORQUE VALUE FOR THREAD: 6 in.LB
10. CONNECTOR IS PART MARKED: 164A20089X CONEC ABC

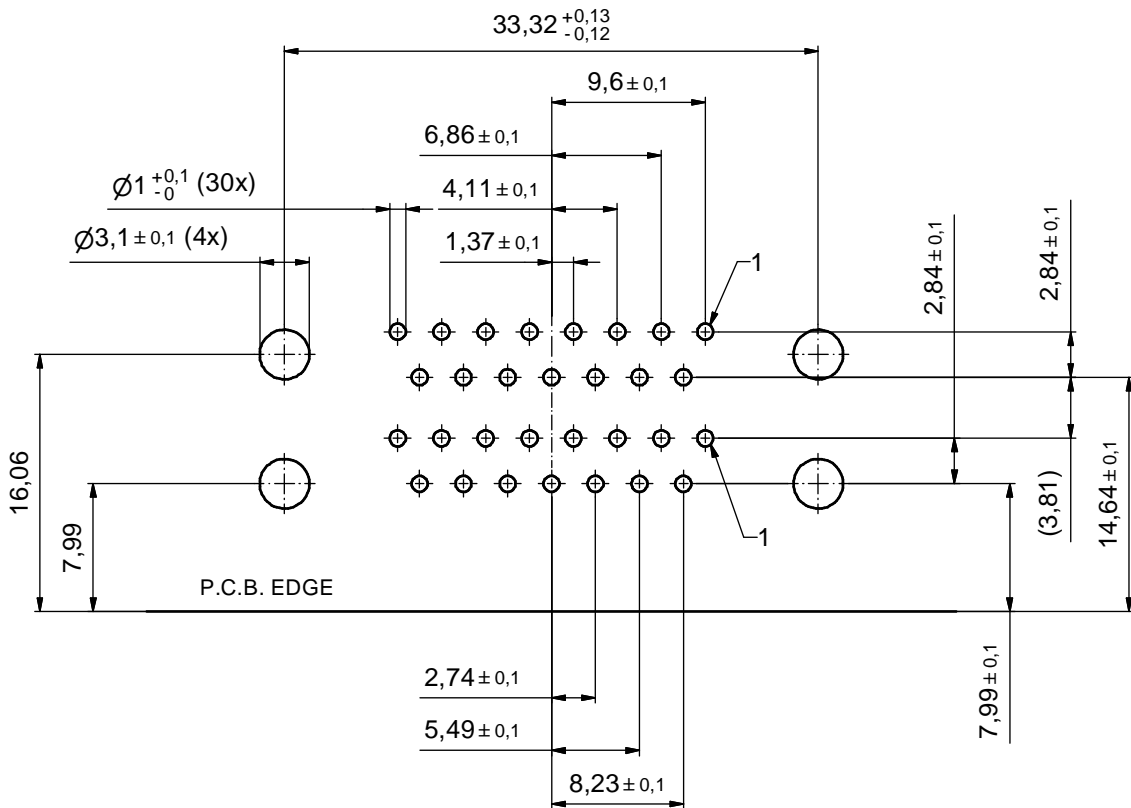
APPROVAL # FREIGABE # DEBLOCAGE # AUTORIZACION # APPROVAL	
CUSTOMER APPROVAL DATE:	
NAME:	TITLE:
COMPANY NAME:	
APPROVAL # FREIGABE # DEBLOCAGE # AUTORIZACION # APPROVAL	

THIS DRAWING MAY NOT BE COPIED OR REPRODUCED IN ANY WAY AND MAY NOT BE PASSED ON TO A THIRD PARTY WITHOUT WRITTEN PERMISSION. OWNERSHIP AND COPYRIGHT OF CONEC GmbH			
DO NOT ALTER CAD DRAWING BY HAND			
rev.	description	date	name
a	Origin		

tolerance	dim. in mm
date	name
drawn 09.12.08	Petker
appd. 09.12.08	Mickenbecker
norm	
d-old	

scale:	2:1 (5:1)	
material:	SEE NOTES	
title:	D-SUB DUAL PORT 19,05mm 15pos. FEMALE / 15pos. FEMALE with threaded lock and snap	
dwg no:	Inventor 10	DIN-A3
	16K1A2428	sh: 1
part no:	164A20089X	





APPROVAL # FREIGABE # DEBLOCAGE # AUTORIZACION # APPROVAL	
CUSTOMER APPROVAL DATE:	
NAME:	TITLE:
COMPANY NAME:	
APPROVAL # FREIGABE # DEBLOCAGE # AUTORIZACION # APPROVAL	

THIS DRAWING MAY NOT BE COPIED OR REPRODUCED IN ANY WAY AND MAY NOT BE PASSED ON TO A THIRD PARTY WITHOUT WRITTEN PERMISSION. OWNERSHIP AND COPYRIGHT OF CONEC GmbH				tolerance		dim. in mm	
DO NOT ALTER CAD DRAWING BY HAND				date	name		
a Origin				drawn	09.12.08	Petker	
rev.				appd.	09.12.08	Mickenbecker	
description				norm			
date				d-old			
name							

scale: 3:1	
material: SEE SHEET 1	
title: P.C.B. HOLE DRILLINGS D-SUB DUAL PORT 19,05mm 15pos. FEMALE / 15pos. FEMALE	
dwg no: Inventor 10	DIN-A3
16K1A2428	
sh: 2	
part no: SEE SHEET 1	