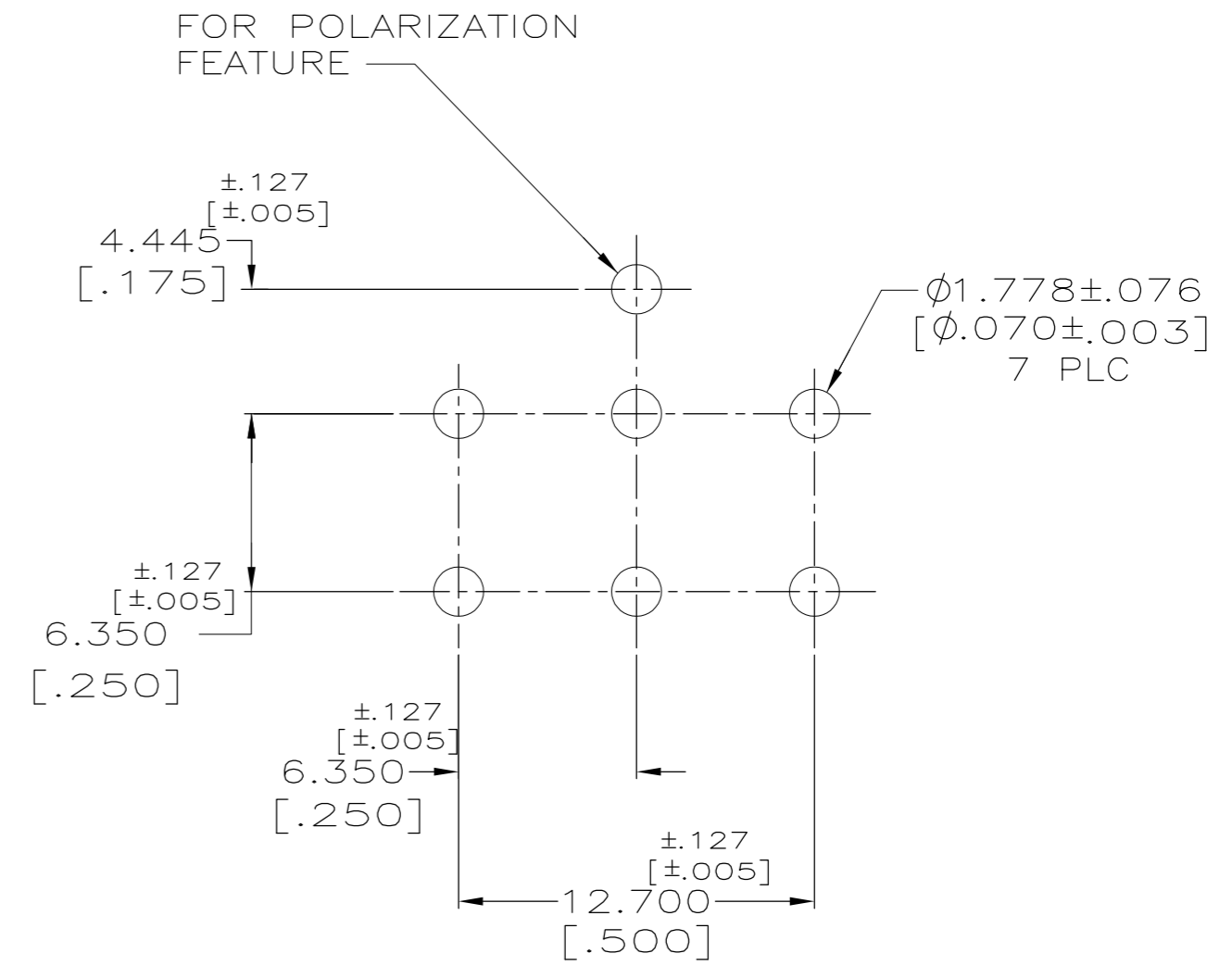
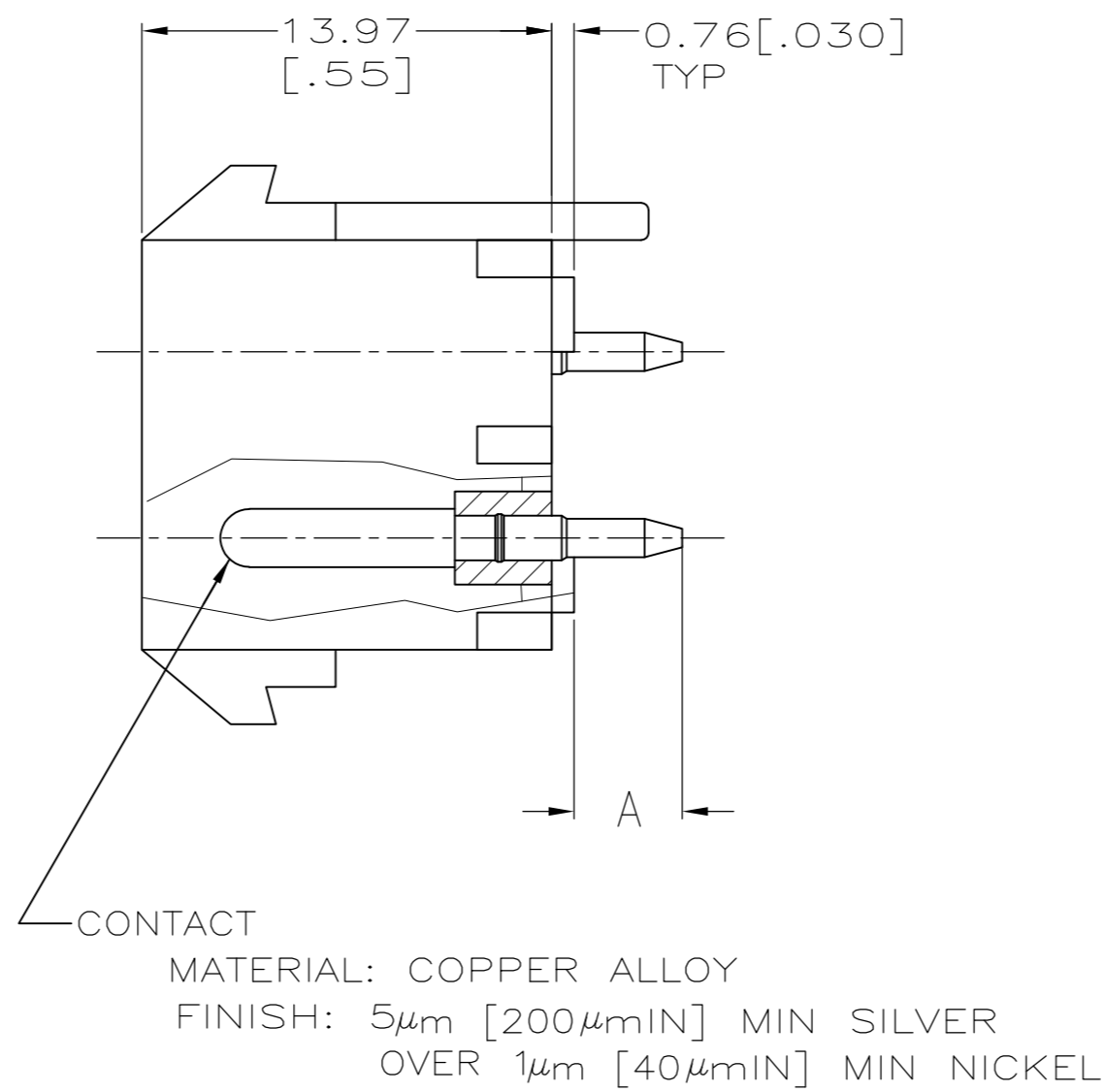
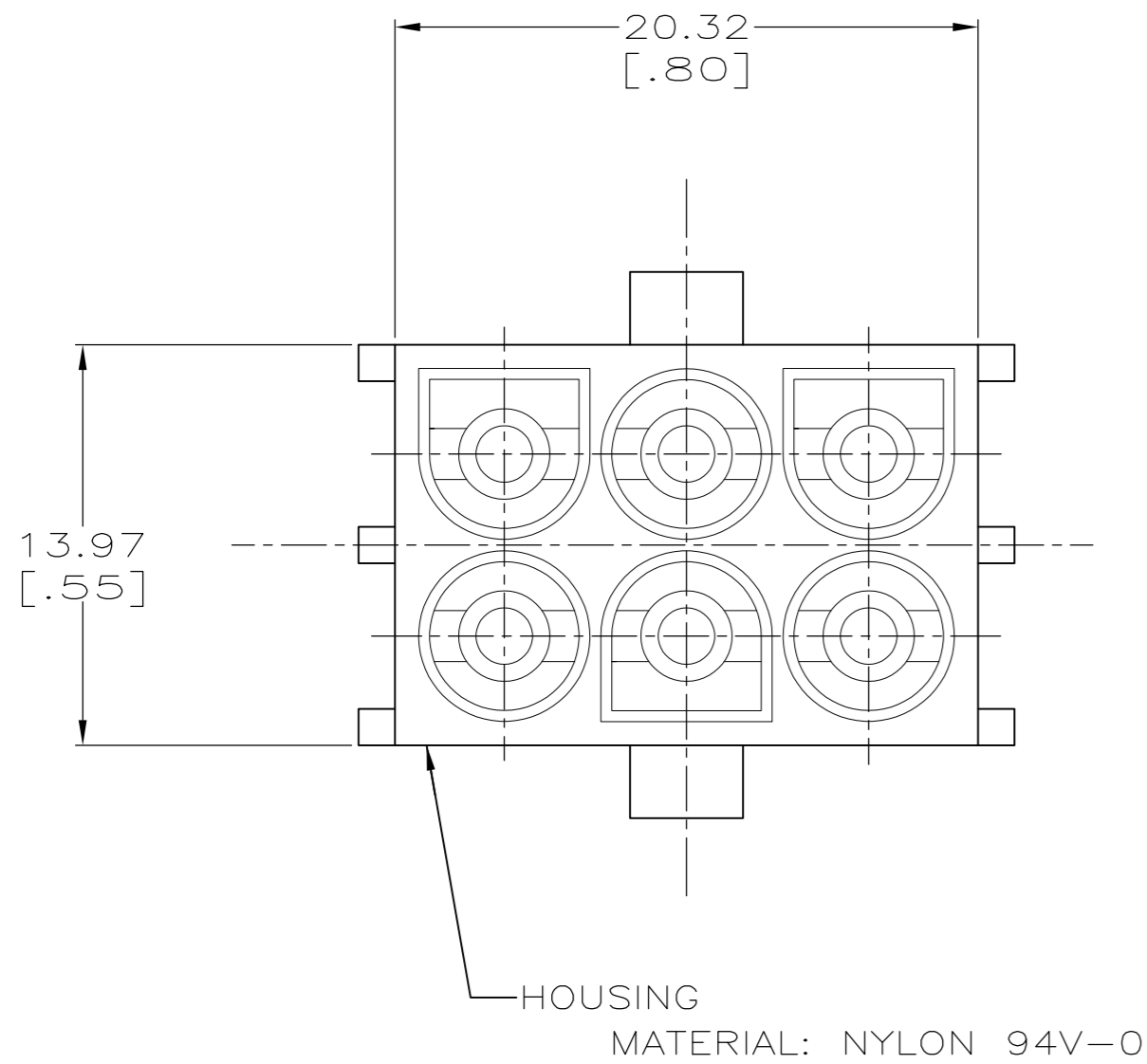


THIS DRAWING IS UNPUBLISHED. RELEASED FOR PUBLICATION .19
 © COPYRIGHT 19 BY AMP INCORPORATED. ALL RIGHTS RESERVED.

LOC	DIST	REVISIONS			
P	LTR	DESCRIPTION	DATE	DWN	APVD
	H	REVISE PER ECN 0G3B-0124-00	26APR00	SU	GS
	H1	REVISED PER ECO-10-000443	13JAN10	KK	AEG

- MATES WITH MATE-N-LOK II PLUG CONNECTOR USING PART NUMBER 193797-1 OR 193842-1 SOCKET CONTACTS.
 - ALL DIMENSIONS ARE REFERENCE ONLY EXCEPT P.C. LAYOUT.
- ⚠ OBSOLETE PARTS: OBSOLETE CIS STREAMLINING PER D.RENAUD/D.SINISI



RECOMMENDED LAYOUT FOR P.C. BOARD

⚠ OBSOLETE	TUBE	1.57 [.062]	3.68 [.145]	194002-3
	BULK	3.17 [.125]	5.20 [.205]	194002-2
	BULK	1.57 [.062]	3.68 [.145]	194002-1
PACKAGING	PC BOARD THICKNESS	A		PART NUMBER

DIMENSIONS:		TOLERANCES UNLESS OTHERWISE SPECIFIED:		DWN		AMP		AMP Incorporated	
mm [in]		0 PLC ±-		C. M. SVOBODA	06/SEP/94	AMP		Harrisburg, PA 17105-3608	
		1 PLC ±-		CHK	16/MAY/94				
		2 PLC ±-		APVD	16/MAY/94	NAME		HIGH CURRENT VERT. PIN HEADER ASSY; MATE-N-LOK II, 6 CIRCUIT	
		3 PLC ±-		PRODUCT SPEC		SIZE		CAGE CODE	
		4 PLC ±-		APPLICATION SPEC		A2		00779	
		ANGLES ±-		WEIGHT		DRAWING NO		C=194002	
		FINISH -		CUSTOMER DRAWING		SCALE		SHEET	
						1		OF	
								REV	
								H1	

194002

A