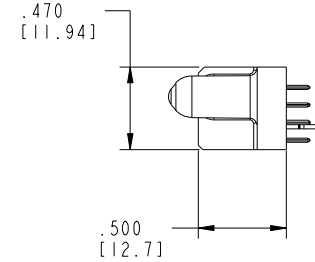
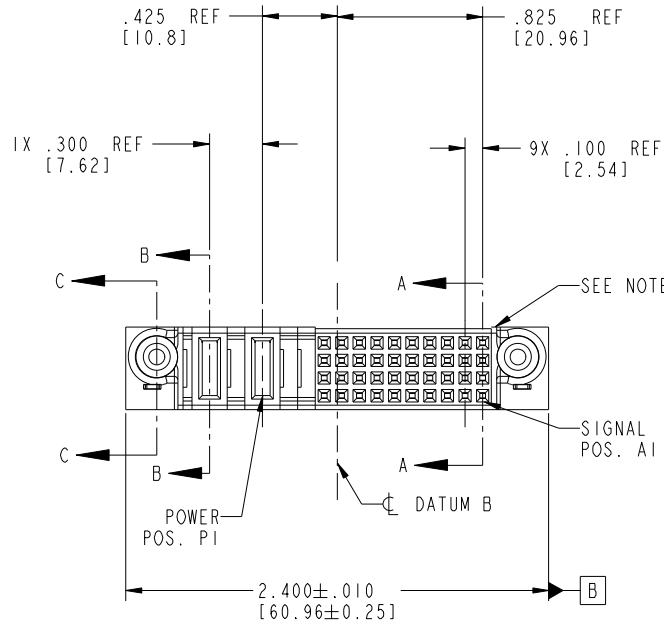


Tous droits strictement réservés. Reproduction ou communication à des tiers interdite sous quelque forme que ce soit sans autorisation écrite du propriétaire. Propriété de c.FCI. Droits de reproduction FCI.

All rights strictly reserved. Reproduction or issue to third parties in any form whatever is not permitted without written authority from the proprietor. Property of FCI. Copyright FCI.

A
FCI

PRODUCT NO.	ROWS	POWER			SIGNAL							E1			
		E2	P2	P1	10	9	8	7	6	5	4		3	2	1
51940-131 NOTE ③	D C B A				E	E	E	E	E	E	E	E	E	E	



CODE	DIM "M" MATING LENGTH	CONTACT TYPE
E	N/A [N/A]	SIGNAL
PA	.042 [1.07]	POWER
HA	N/A [N/A]	HOLD-DOWN

mat'l code				SEE NOTE 2		tolerances unless otherwise specified		CUSTOMER		A FCI	
ltr	ecn no.	dr	date	linear	.XX±.01/0.X±0.3	projection		COPY		www.fciconnect.com	
A	DG05-0050	LH	03/16/05	angles	.XXX±.005/0.XX±0.13	INCH/MM		title		40S+2P	
				dr	.XXX±.0020/0.XXX±0.051	scale		product family		PwrBlade	
				enr	0°±2°	1:1		size		code	
				chr				dwg no		213	
				appd	VICTOR LIN			A		51940-131	
					JOSEPH HSIA			sheet		1 of 4	
sheet index	revision sheet	A	A	A	A			cage code		22526	
		1	2	3	4						

1 | 2

Pro/E

3 |

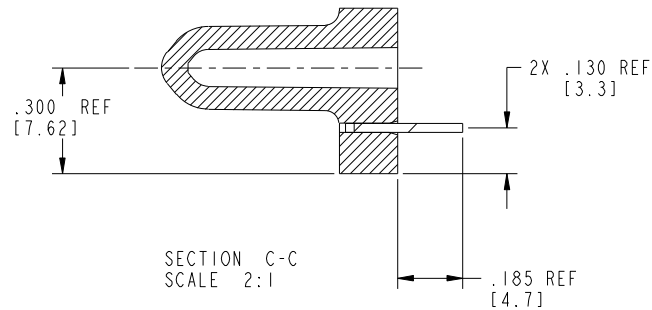
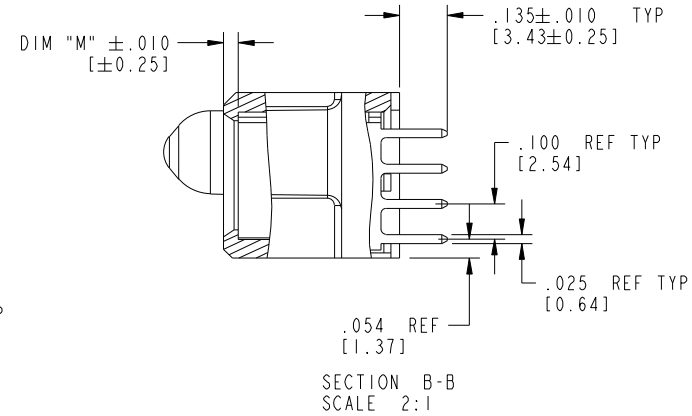
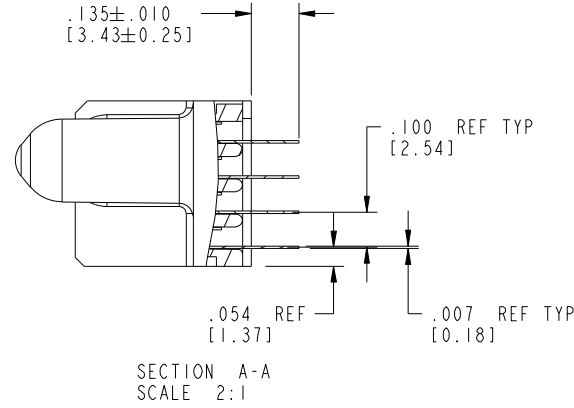
cage code 22526

4

Tous droits strictement reserves. Reproduction ou communication a des tiers interdite sous quelque forme que ce soit sans autorisation écrite du propriétaire. Propriete de c FCI. Droits de reproduction FCI.

All rights strictly reserved. Reproduction or issue to third parties in any form whatever is not permitted without written authority from the proprietor. Property of FCI. Copyright FCI.

PRODUCT NUMBER
51940-131__
NOTE (3)



mat'l code		SEE NOTE 2		tolerances unless otherwise specified		CUSTOMER		 www.fciconnect.com	
ltr	ecn no.	dr	date	linear	.XX±.01/0.X±0.3	COPY		title	
A					.XXX±.005/0.XX±0.13	projection		40S+2P	
				angles	.XXX±.0020/0.XXX±0.051			VERTICAL SOLDER RECEPT	
				dr	0°±2°	INCH/MM		product family	
				enr	LH 03/16/05	scale		PwrBlade	
				chr	LH 03/16/05	1:1		code	
				appd	VICTOR LIN 03/16/05			size	
					JOSEPH HSIA 03/16/05			dwg no	
sheet index		revision sheet						A	
								51940-131	
								2 of 4	

cage code 22526

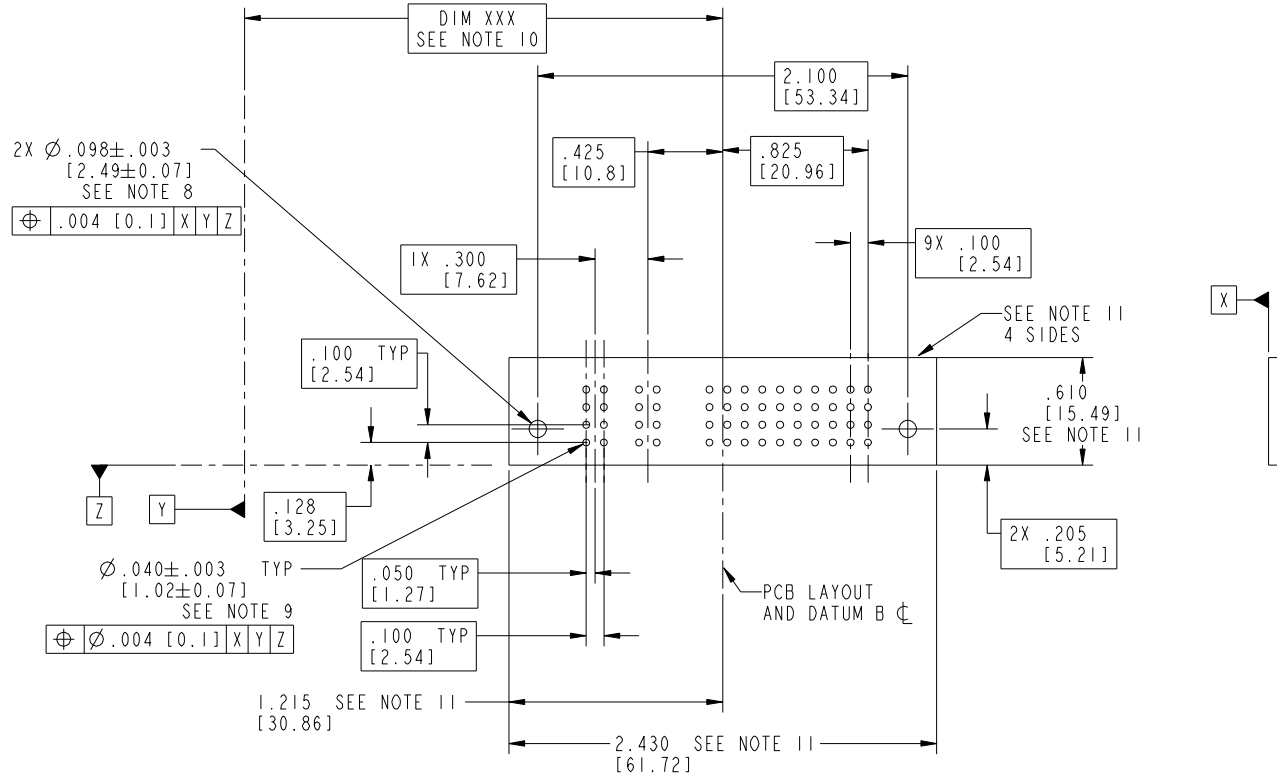
Pro/E

Tous droits strictement réservés. Reproduction ou communication à des tiers interdite sous quelque forme que ce soit sans autorisation écrite du propriétaire. Propriété de c FCI. Droits de reproduction FCI.

FCI

All rights strictly reserved. Reproduction or issue to third parties in any form whatever is not permitted without written authority from the proprietor. Property of FCI. Copyright FCI.

PRODUCT NUMBER
51940-131__
NOTE ③



mat'l code		SEE NOTE 2		tolerances unless otherwise specified		CUSTOMER		FCI		www.fciconnect.com		
ltr	ecn no.	dr	date	linear	.XX±.01/0.X±0.3	COPY		projection		title		
A					.XXX±.005/0.XX±0.13					40S+2P		
				angles	.XXX±.0020/0.XXX±0.051					VERTICAL SOLDER RECEPT		
				dr	0°±2°	INCH/MM		product family		code		
				enr	LH 03/16/05	scale		PwrBlade		213		
				chr	LH 03/16/05	1:1		size		sheet		
				appd	VICTOR LIN 03/16/05			dwg no		3 of 4		
					JOSEPH HSIA 03/16/05			A		51940-131		
sheet index	revision sheet											

cage code 22526

Pro/E

All rights strictly reserved. Reproduction or issue to third parties in any form whatever is not permitted without written authority from the proprietor. Property of FCI. Copyright FCI.

A
FCI

Tous droits strictement reserves. Reproduction ou communication a des tiers interalle sous quelque forme que ce soit sans autorisation ecrite du proprietaire. Propriete de c FCI. Droits de reproduction FCI.

PRODUCT NUMBER
51940-131__
NOTE ③

NOTES:

1. DIMENSIONS AND TOLERANCES ARE IN ACCORDANCE WITH ASME Y14.5M, 1994 UNLESS OTHERWISE SPECIFIED.

CONNECTOR NOTES:

② HOUSING MATERIAL: UL 94 V-0 GLASS FILLED
HIGH-TEMP THERMOPLASTIC
POWER CONTACT MATERIAL: COPPER ALLOY
SIGNAL PIN MATERIAL: COPPER ALLOY

3. PLATING:
51940-131:50u"/1.27um Ni UNDER ALL
SIGNAL PINS: 30u"/0.76um Au ON CONTACT AREA;100u"/2.54um SnPb ON TERMINATION AREA
POWER CONTACTS: 30u"/0.76um Au ON CONTACT AREA;100u"/2.54um SnPb ON TERMINATION AREA

51940-131LF:50u"/1.27um Ni UNDER ALL
SIGNAL PINS: 30u"/0.76um Au ON CONTACT AREA;78u"/2.00um Sn ON TERMINATION AREA
POWER CONTACTS: 30u"/0.76um Au ON CONTACT AREA;78u"/2.00um Sn ON TERMINATION AREA

PART NUMBER 51940-131LF MEETS EUROPEAN UNION DIRECTIVE AND OTHER COUNTRY REGULATIONS AS DESCRIBED IN GS-22-008.

④ MANUFACTURER'S NAME, P/N, AND DATE CODE TO APPEAR ON THIS SURFACE.

5. PRODUCT SPECIFICATION GS-12-149.
APPLICATION SPECIFICATION BUS-20-067.

6. PACKAGED IN TRAYS.

PCB NOTES:


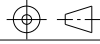
7. ALL HOLE DIAMETERS ARE FINISHED HOLE SIZE.

⑧ MOUNTING HOLES, WHERE APPLICABLE, ARE UNPLATED.

⑨ $\varnothing .0453 \pm .0010$ [1.151 \pm 0.025] DRILLED HOLES PLATED WITH
.0003 [0.008] MIN SnPb OVER .001 [0.03]
TO .003 [0.08] Cu PLATING TO ACHIEVE
 $\varnothing .040 \pm .003$ [1.02 \pm .07] HOLE.

⑩ "DIM XXX" TO BE DETERMINED BY THE CUSTOMER.

⑪ CONNECTOR KEEP-OUT ZONE.

mat'l code		SEE NOTE 2		tolerances unless otherwise specified		CUSTOMER		 www.fciconnect.com	
ltr	ecn no.	dr	date	linear	.XX \pm .01/0.X \pm 0.3	COPY			
A				linear	.XXX \pm .005/0.XX \pm 0.13	projection		title	
				angles	.XXX \pm .0020/0.XXX \pm 0.051			40S+2P	
				dr	0 \pm 2°	INCH/MM		VERTICAL SOLDER RECEPT	
				enr	LH 03/16/05	product family		PwrBlade	
				enr	LH 03/16/05	size		code	
				chr	VICTOR LIN 03/16/05	scale		213	
				appd	JOSEPH HSIA 03/16/05	A		sheet	
sheet index		revision sheet				1:1		4 of 4	

cage code 22526

Pro/E