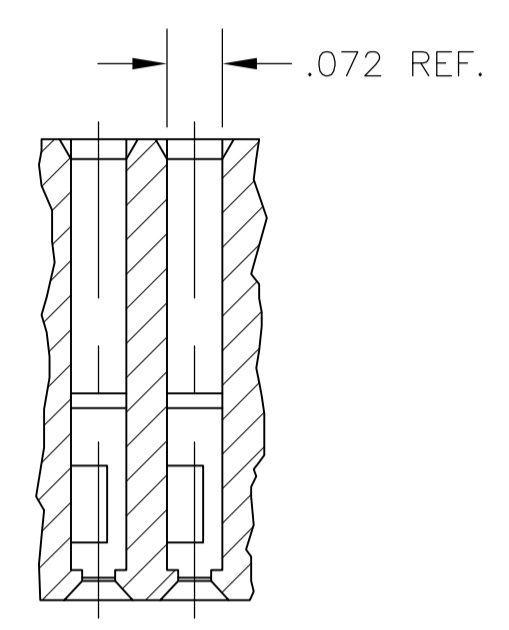
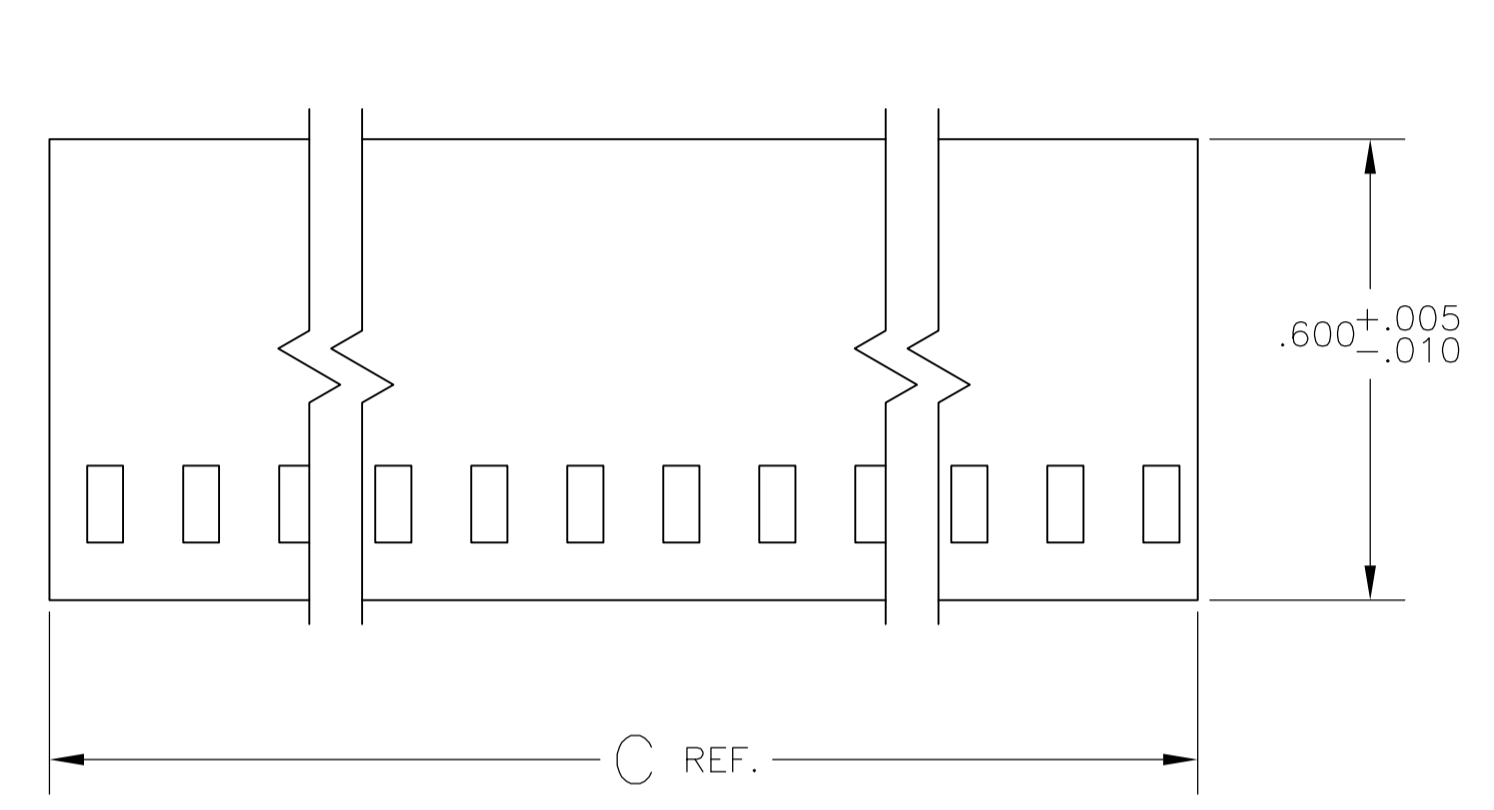
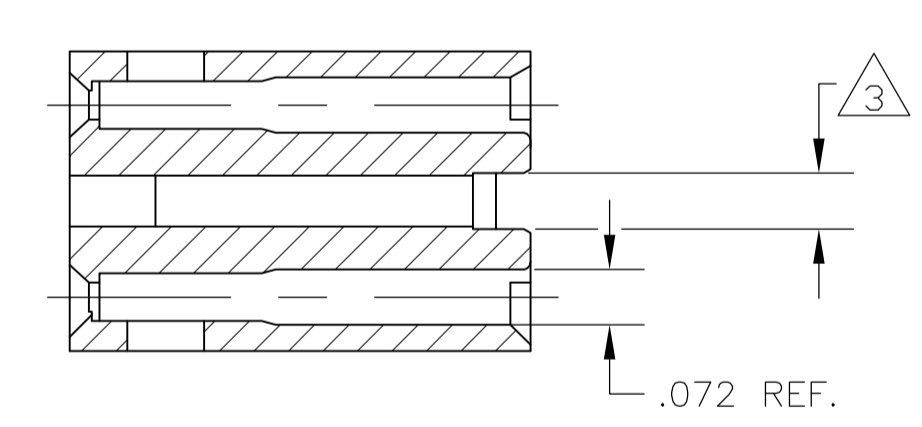
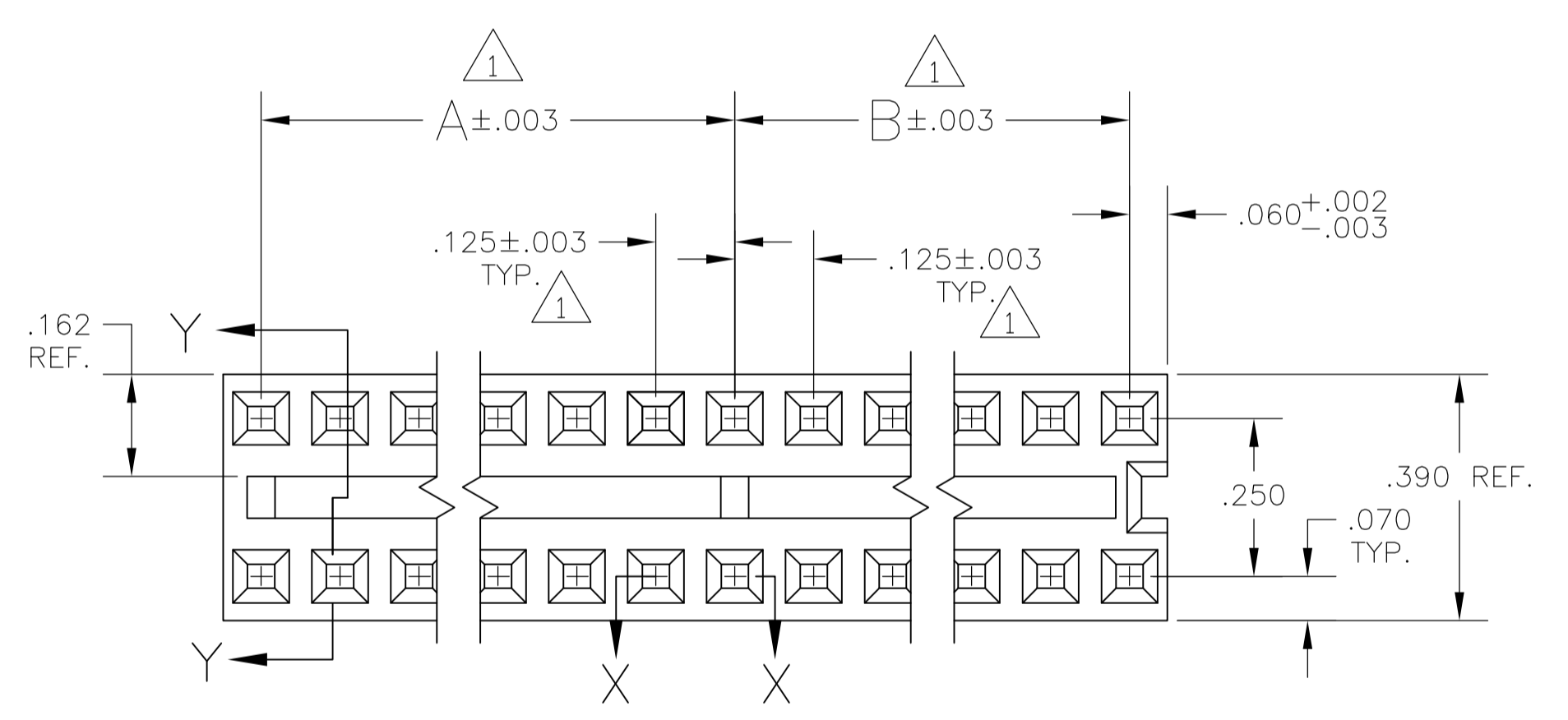


LOC	DIST	REVISIONS			
AD	00	REV	PER	DATE	BY
S		REV PER	OG3C-0299-04	16AUG04	DS
S1		REVISED PER	ECO-10-000445	29JAN10	KK HMR

- 1 CAVITY LOCATION DIMENSIONS INCREASE IN INCREMENTS OF .125±.003 TOLERANCE NON-CUMULATIVE
- 2 USE EXTRACTION TOOL 91052-1 TO REMOVE RECEPTACLE CONTACTS
- 3 THIS DIMENSION DESIGNED FOR .0625±.0075 BOARD THICKNESS
- 4 OBSOLETE PART NUMBER.
- 5 OBSOLETE PARTS: OBSOLETE CIS STREAMLINING PER D.RENAUD/D.SINISI



SECTION X-X



SECTION Y-Y

REV	DESCRIPTION	DATE	BY	APPV	NO. OF POS	PART NUMBER
5	OBSOLETE	6.374	3.125	3.125	102	5-102056-1
		6.249	3.000	3.125	100	5-102056-0
		6.124	3.000	3.000	98	4-102056-9
		5.999	2.875	3.000	96	4-102056-8
		5.874	2.875	2.875	94	4-102056-7
		5.749	2.750	2.875	92	4-102056-6
		5.624	2.750	2.750	90	4-102056-5
		5.499	2.625	2.750	88	4-102056-4
		5.374	2.625	2.625	86	4-102056-3
		5.249	2.500	2.625	84	4-102056-2
		5.124	2.500	2.500	82	4-102056-1
		4.999	2.375	2.500	80	4-102056-0
		4.874	2.375	2.375	78	3-102056-9
		4.749	2.250	2.375	76	3-102056-8
		4.624	2.250	2.250	74	3-102056-7
		4.499	2.125	2.250	72	3-102056-6
		4.374	2.125	2.125	70	3-102056-5
		4.249	2.000	2.125	68	3-102056-4
		4.124	2.000	2.000	66	3-102056-3
		3.999	1.875	2.000	64	3-102056-2
		3.874	1.875	1.875	62	3-102056-1
		3.749	1.750	1.875	60	3-102056-0
		3.624	1.750	1.750	58	2-102056-9
		3.499	1.625	1.750	56	2-102056-8
		3.374	1.625	1.625	54	2-102056-7
		3.249	1.500	1.625	52	2-102056-6
		3.124	1.500	1.500	50	2-102056-5
		2.999	1.375	1.500	48	2-102056-4
		2.874	1.375	1.375	46	2-102056-3
		2.749	1.250	1.375	44	2-102056-2
		2.624	1.250	1.250	42	2-102056-1
		2.499	1.125	1.250	40	2-102056-0
		2.374	1.125	1.125	38	1-102056-9
5	OBSOLETE	2.249	1.000	1.125	36	1-102056-8
		2.124	1.000	1.000	34	1-102056-7
		1.999	.875	1.000	32	1-102056-6
		1.874	.875	.875	30	1-102056-5
		1.749	.750	.875	28	1-102056-4
		1.624	.750	.750	26	1-102056-3
		1.499	.625	.750	24	1-102056-2
		1.374	.625	.625	22	1-102056-1
		1.249	.500	.625	20	1-102056-0
		1.124	.500	.500	18	102056-9
		.999	.375	.500	16	102056-8
		.874	.375	.375	14	102056-7
		.749	.250	.375	12	102056-6
		.624	.250	.250	10	102056-5
		.499	.125	.250	8	102056-4
		.374	.125	.125	6	102056-3
		.249	-	.125	4	102056-2
		.124	-	-	2	102056-1
		C	B	A	NO. OF POS	PART NUMBER

THIS DRAWING IS A CONTROLLED DOCUMENT.

DIMENSIONS: INCHES
 TOLERANCES UNLESS OTHERWISE SPECIFIED:
 0. PLC ± -
 1. PLC ± -
 2. PLC ± -
 3. PLC ± .005
 4. PLC ± -
 ANGLES ± -

MATERIAL: FLAME RETARDANT POLYESTER
 COLOR: BLACK

FINISH: -

THIS DRAWING IS A CONTROLLED DOCUMENT.
 STAUB BG 19FEB90
 P. SREMCICH 050CT93
 P. SREMCICH 050CT93

Tyco Electronics Corporation
 Harrisburg, Pa 17105-3608

MOD IV, HOUSING, CRIMP SNAP-IN,
 DOUBLE ROW, .125X.250 CL

SIZE: A1
 CAGE CODE: 00779
 DRAWING NO: 102056
 WEIGHT: -

CUSTOMER DRAWING
 SCALE: 4:1
 SHEET: 1 of 1
 REV: S1