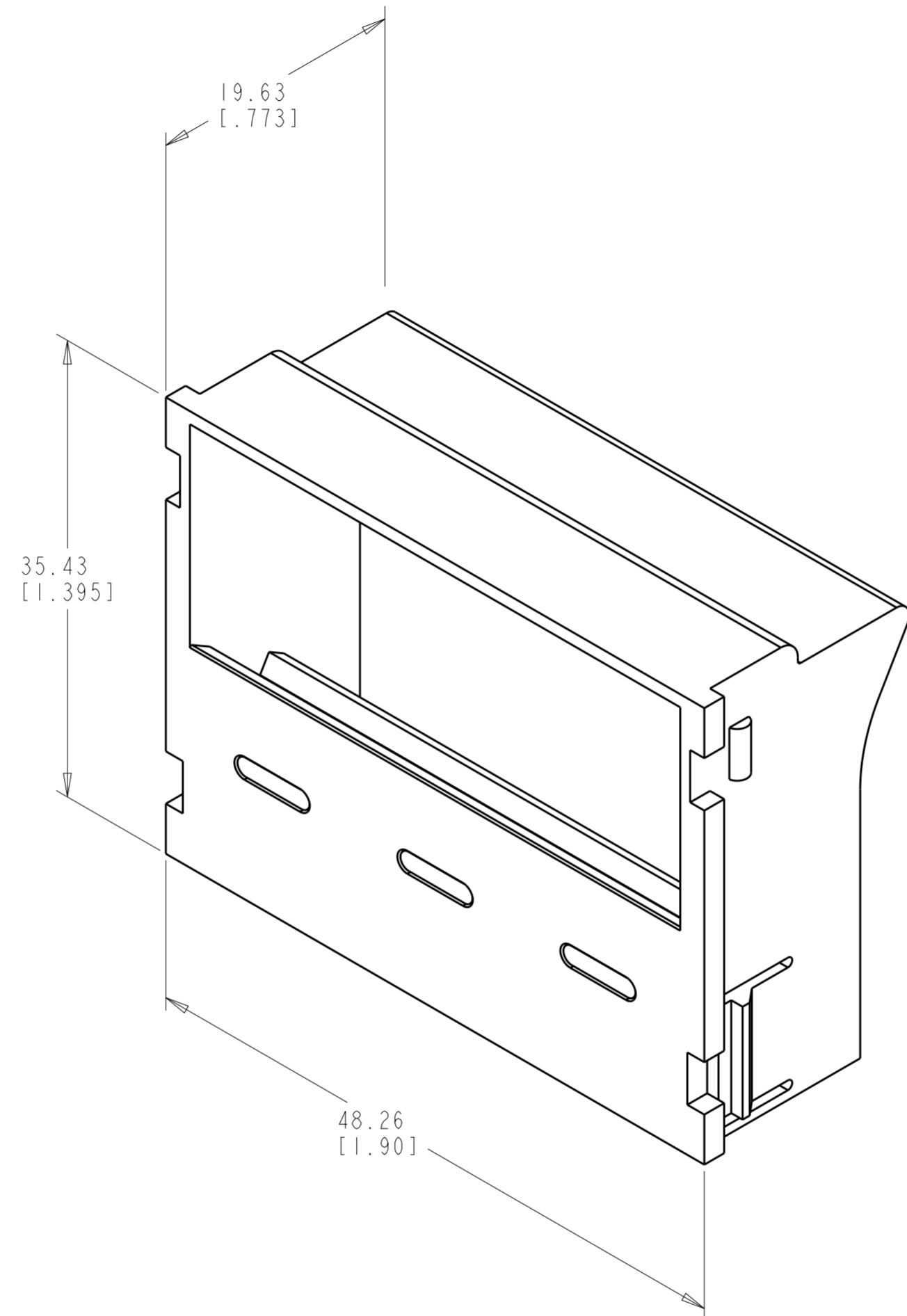


THIS DRAWING IS UNPUBLISHED. RELEASED FOR PUBLICATION 20
 © COPYRIGHT 20 BY - ALL RIGHTS RESERVED.

REVISIONS				
P	LTR	DESCRIPTION	DATE	APVD
A		REV; EC 0B40-0208-00	-	GG GB
B		REV; ECO-14-010918	22JULY2014	GG RA
C		REV; ECO-15-003156	19MAY2015	GG RA



- 1 MATERIAL:
MODULE: ABS MOLDING COMPOUND.
SEE TABLE FOR COLOR.
- 2 DIMENSIONS ARE NOMINAL
UNLESS OTHERWISE SPECIFIED.
- 3. MODULE WILL ACCEPT SL SERIES TOOLLESS
MODULAR JACKS AND SL INSERTS.
- 4. REFER TO INSTRUCTION SHEET 408-8398
FOR INSTALLATION PROCEDURES.

ALPINE WHITE	I-1116408-3
LT ALMOND	1116408-1
COLOR	PART NO

THIS DRAWING IS A CONTROLLED DOCUMENT.		DWN R. MARTIN 15OCT98	TE Connectivity		
DIMENSIONS: mm (INCHES)		CHK R. MARTIN 15OCT98			NAME MODULE, 3 PORT, ANGLED, 1.5 UNITS HIGH, SL SERIES
		APVD R. MARTIN 09DEC99			PRODUCT SPEC -
TOLERANCES UNLESS OTHERWISE SPECIFIED: 0 PLC ± 1 PLC ± 2 PLC ± 3 PLC ± 4 PLC ± ANGLES ± FINISH -		APPLICATION SPEC -			RESTRICTED TO -
MATERIAL	-	WEIGHT	-	SIZE A2	
-		Customer Drawing		SCALE 3:1 SHEET 1 OF 1 REV C	