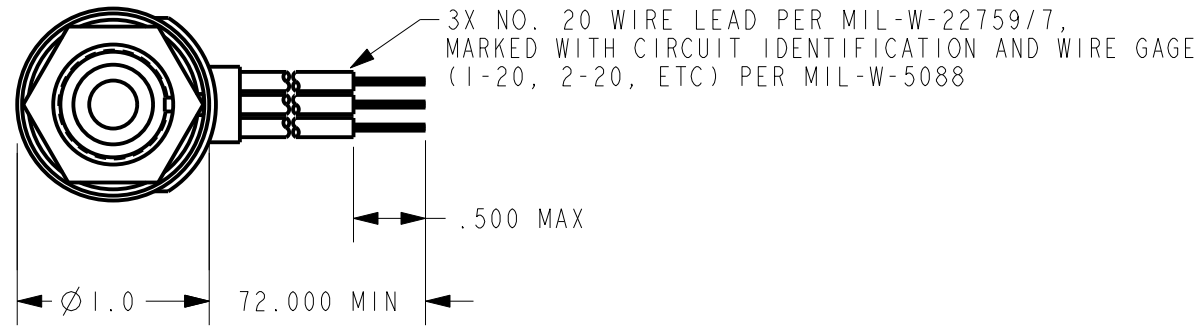


| |
|--------------------------|
| HONEYWELL PART NUMBER |
| IEN296-6 |
| FAA-PMA |

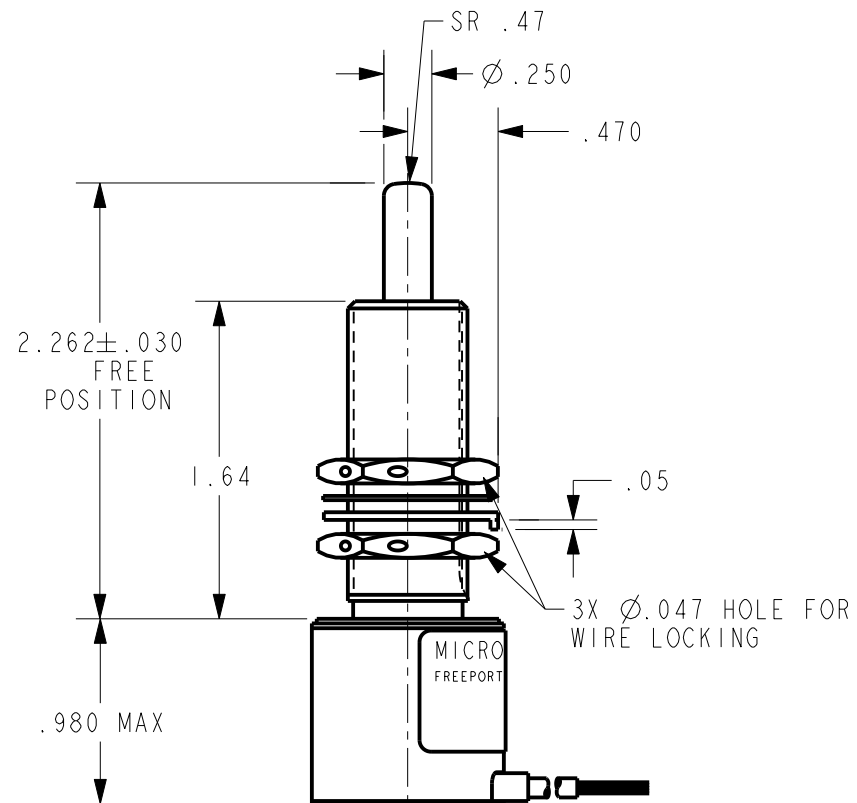


| REV | DOCUMENT | CHANGED BY | CHECK |
|-----|----------|-------------|-------|
| 17 | 0006859 | DVM 27JUL04 | AK |

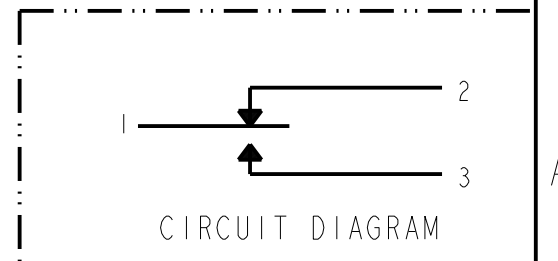
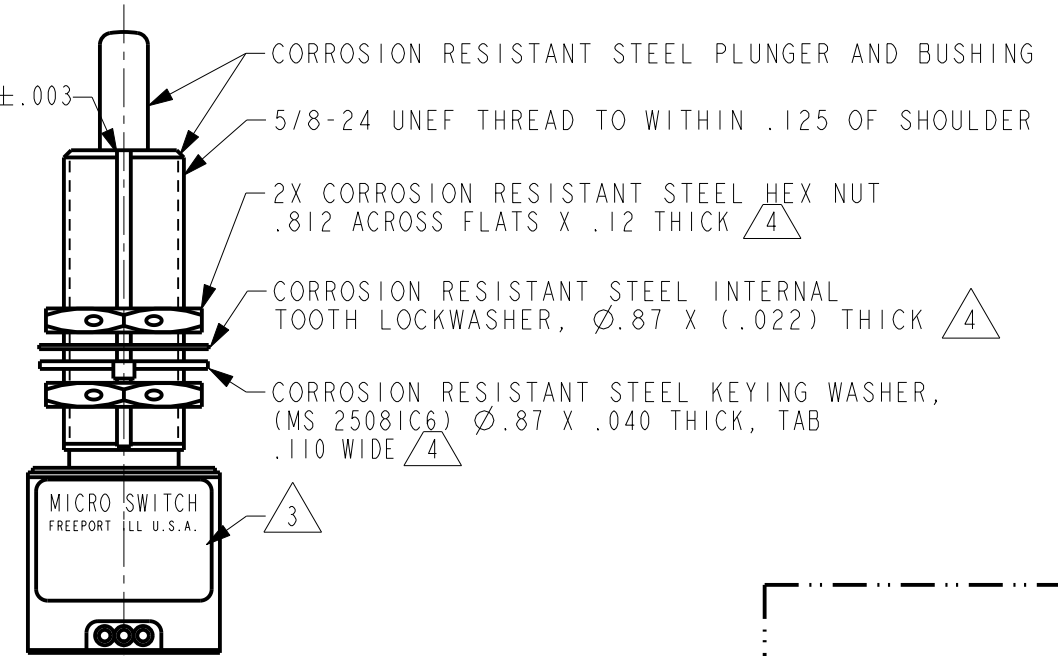


NOTES

- 1 - CORROSION RESISTANT STEEL ENCLOSURE
- 2 - SWITCH SEALED PER MIL-PRF-8805 SYMBOL 4
- 3 - CIRCUIT DIAGRAM, CATALOG LISTING, DATE CODE, FED MFG CODE AND FAA-PMA ARE SHOWN ON NAMEPLATE
- 4 - HARDWARE MAY BE PACKAGED UNASSEMBLED PER MIL-PRF-8805
- 5 - FOR MANUFACTURING DETAIL SEE ASSEMBLY DRAWING IEN296-6 FOR FAA-PMA
- 6 - WEIGHT 8.5 OZ MAX



.072 ± .004 WIDE X .038 ± .003
KEYWAY TO WITHIN
.250 OF SHOULDER



| CHARACTERISTICS | ELECTRICAL DATA | | |
|----------------------------|--------------------------------|-----------|-----------|
| OPERATING FORCE----- | 6-12 LB | | |
| FULL OVERTRAVEL FORCE----- | 30 LB MAX | | |
| RELEASE FORCE----- | 4 LB MIN | | |
| PRETRAVEL----- | .030 ± .010 | | |
| DIFFERENTIAL TRAVEL----- | .020 MAX | | |
| OVERTRAVEL----- | .500 MIN | | |
| | CONTACT ARRANGEMENT S P D T | | |
| | 28 VDC | | |
| | LOAD | SEA LEVEL | 50,000 FT |
| | RES | 4 | 4 |
| | IND | 2 | 2 |
| | MOTOR | 4 | |

| | | | |
|--------------------------|--|--------------|---------|
| DESIGN UNITS: INCH | DRAWN | TSM | 01NOV00 |
| TOLERANCES UNLESS NOTED: | CHECK | SAV | 01NOV00 |
| NO PLACE X ± | THIS DRAWING COVERS A PROPRIETARY ITEM AND IS THE PROPERTY OF HONEYWELL. THIS DRAWING IS NOT TO BE COPIED OR USED WITHOUT THE PERMISSION OF HONEYWELL. | | |
| ONE PLACE .X ± | | | |
| TWO PLACE .XX ± | | | |
| THREE PLACE .XXX ± | | | |
| FOUR PLACE .XXXX ± | | | |
| ANGLES X ± | INTERPRET PER ANSI Y14.5M-1982 OTHER HONEYWELL ENGINEERING STANDARDS MAY APPLY | | |
| THIRD ANGLE PROJECTION | | | |
| | | Pro/ENGINEER | 2D |

| | | | |
|-----------------------------------|------|-----------------|-----|
| Honeywell | | | |
| TITLE SWITCH - ENCLOSED | | | |
| SIZE | TYPE | DRAWING NAME | REV |
| B | I | IEN296-6 | 17 |
| SCALE FULL | | SHEET 1 OF 1 | |