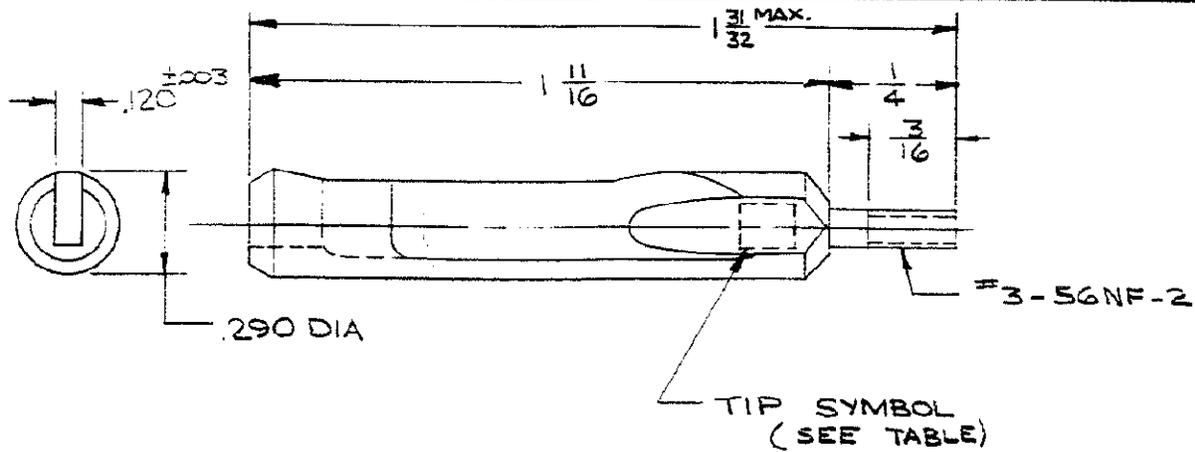


NUMBER
C-380301



TIP NUMBER	TIP SYMBOL	USED ON
380301-1	A1	380306-7, -8

APPLICATION TOOLING ENGR'G.
CONNECTOR PRODUCTS DIV.

DIMENSIONS IN INCHES. DO NOT SCALE PRINT.

©1962 BY AMP INCORPORATED. ALL RIGHTS RESERVED. AMP PRODUCTS COVERED BY PATENTS AND/OR PATENTS PENDING.

**CUSTOMER COPY
REFERENCE ONLY**

MATERIAL AND FINISH

— H —



AMP INCORPORATED
HARRISBURG, PENNA.

CLASS

— H —

WIRE — RANGE — INSULATION

— H — — H —

TYPE

— H —

0-1 M WAS A

PK - 8/19/62

TR REVISION RECORD DR CHK DATE

TOLERANCE EXCEPT AS NOTED = .015 = 1° 0'

SCALE

— H —

LOC

MA

NO

C-380301

REV

0-1

DR J.E. Shultz 12/19/62

DE J. Hall 11/5/63

CHK W. Holmes 1/1/63

APP J. Cummins 1/1/63

NAME

TIP - INSERTION TOOL