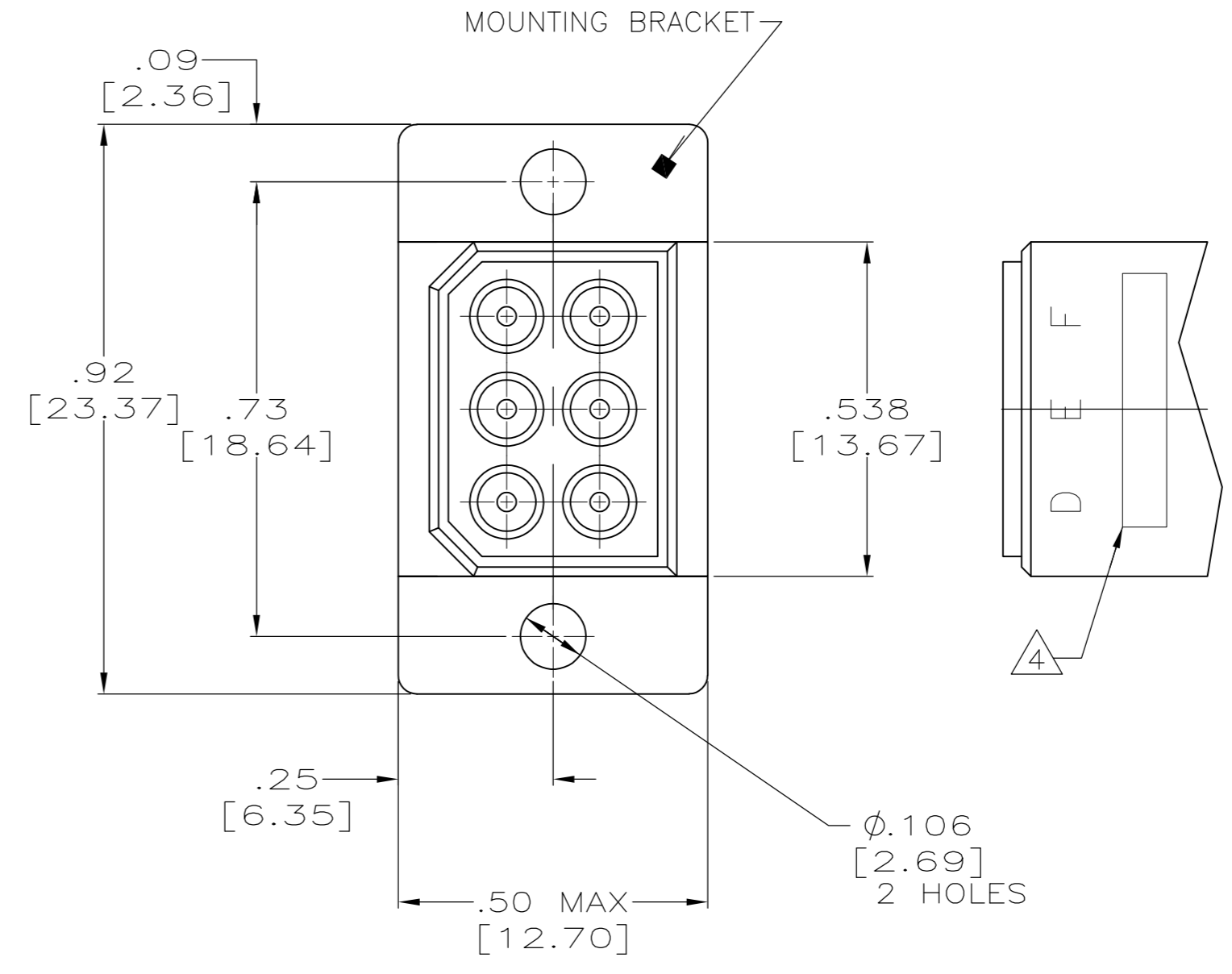
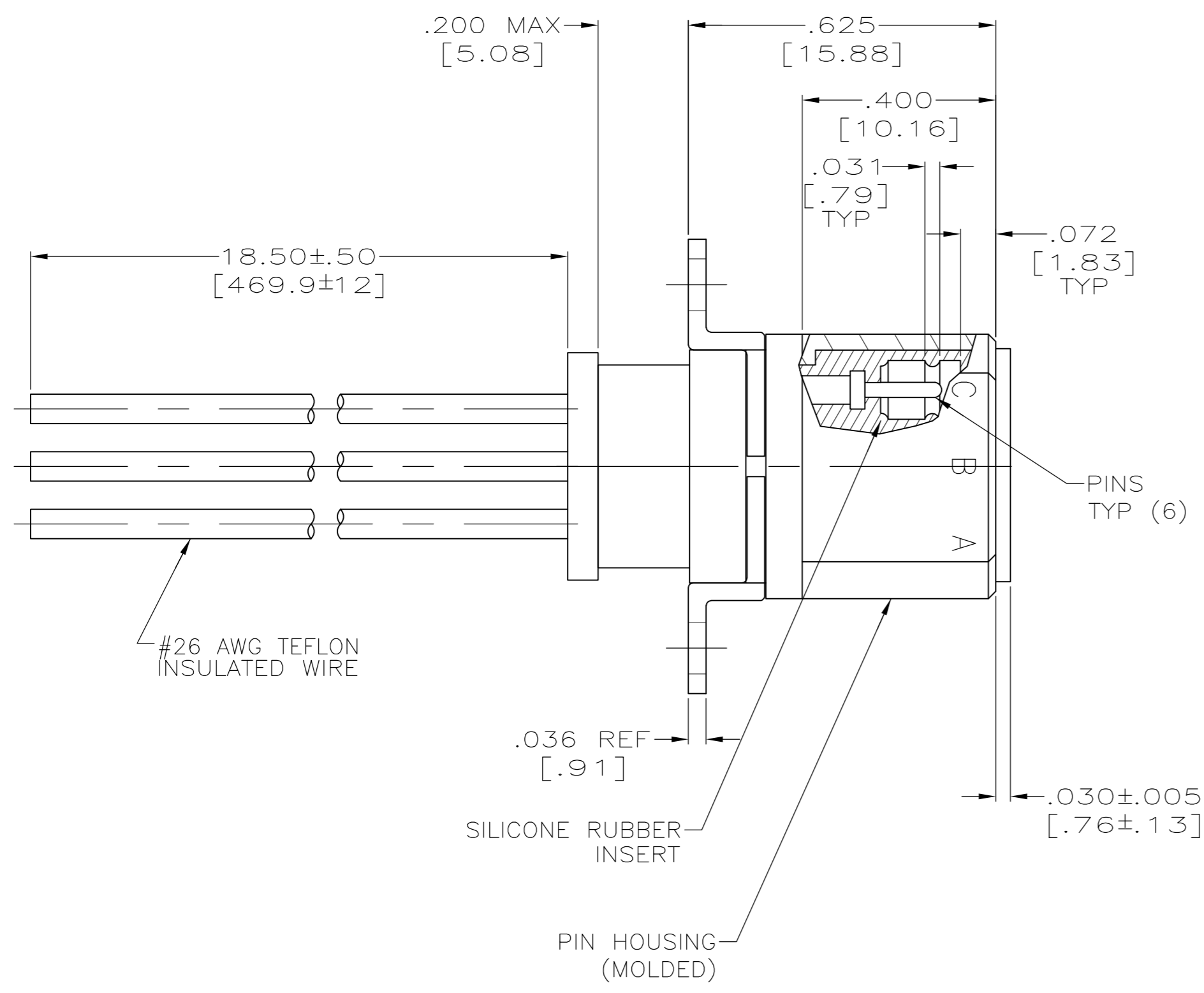


THIS DRAWING IS UNPUBLISHED. RELEASED FOR PUBLICATION
 © COPYRIGHT - By - ALL RIGHTS RESERVED.

REVISIONS				
P	LTR	DESCRIPTION	DATE	APVD
F		REV PER ECO-16-000478	09FEB16	KG DM



1. PINS: MATL; LEADED COMERCIAL BRONZE PER ASTM B 140 PER MIL-G-45204, TYPE II (.000030 [.00076] MIN GOLD OVER .000030 [.00076] MIN NICKEL PER QQ-N-290).
2. MOLDED PART: FLAME RETARDANT GLASS FILLED THERMOPLASTIC POLYESTER.
3. CAVITY LETTERS MARKED.
4. MARKED PER MIL-STD-130 IN THIS AREA.
5. 100% SCREENING INSPECTION IS REQUIRED:
 - A. VISUAL
 - B. MECHANICAL
 - C. INSULATION RESISTANCE; 10 GIGHOMS (MIN) AT 500 VDC
 - D. VOLTAGE RATING: 5 KVDC
 - E. SUPPLY DATA: AMP FORM 3032
 - F. DIELECTRIC WITHSTANDING VOLTAGE (S.L.) 10 KVDC, 10 SEC.

THIS DRAWING IS A CONTROLLED DOCUMENT.		DWN T. THOMPSON 01-17-95																							
DIMENSIONS: INCHES		CHK D. EABY 01-23-95																							
TOLERANCES UNLESS OTHERWISE SPECIFIED:		APVD D. EABY 01-23-95	NAME 6 PIN PLUG ASSY WITH FLANGE LGH																						
<table border="1"> <tr><td>0 PLC</td><td>±</td><td>-</td></tr> <tr><td>1 PLC</td><td>±</td><td>-</td></tr> <tr><td>2 PLC</td><td>±</td><td>.010</td></tr> <tr><td>3 PLC</td><td>±</td><td>.005</td></tr> <tr><td>4 PLC</td><td>±</td><td>-</td></tr> <tr><td>ANGLES</td><td>±</td><td>-</td></tr> <tr><td>FINISH</td><td>-</td><td>-</td></tr> </table>		0 PLC	±	-	1 PLC	±	-	2 PLC	±	.010	3 PLC	±	.005	4 PLC	±	-	ANGLES	±	-	FINISH	-	-	PRODUCT SPEC -	RESTRICTED TO -	
0 PLC	±	-																							
1 PLC	±	-																							
2 PLC	±	.010																							
3 PLC	±	.005																							
4 PLC	±	-																							
ANGLES	±	-																							
FINISH	-	-																							
MATERIAL		WEIGHT 0	SIZE A2	CAGE CODE 00779																					
		CUSTOMER DRAWING	DRAWING NO C=864523	SCALE 4:1																					
			SHEET 1 OF 1	REV F																					

864523