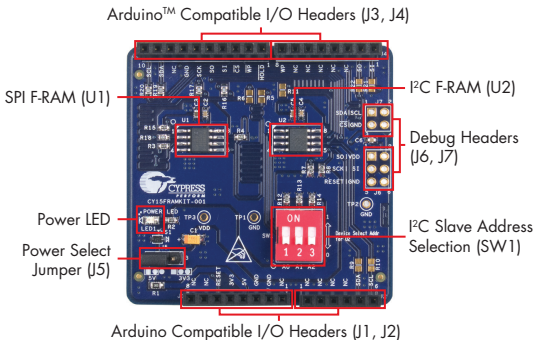


CY15FRAMKIT-001 SERIAL F-RAM™ DEVELOPMENT KIT

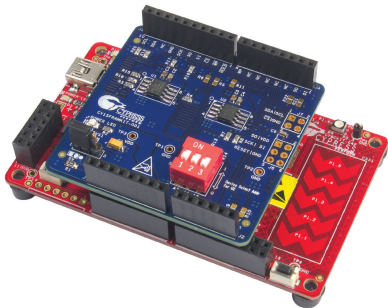


CY15FRAMKIT-001 Features:

- 256-Kbit (32K x 8), up to 20 MHz, SPI F-RAM: FM25W256 (U1)
- 256-Kbit (32K x 8), up to 1 MHz, I²C F-RAM: FM24W256 (U2)
- 3.3 V or 5.0 V V_{DD} power supply (J5)
- Power status LED (LED1)
- I²C slave address selection (SW1)
- Arduino compatible I/O headers (J1, J2, J3, J4)
- Debug headers for SPI (J6) and I²C (J7)

CY15FRAMKIT-001 SERIAL F-RAM™ DEVELOPMENT KIT

The kit is intended to be used with Cypress PSoC® development kits and Arduino UNO R3 boards



CY15FRAMKIT-001 kit with PSoC 4 Pioneer Kit

Download the kit installer, kit user guide and release note from www.cypress.com/go/CY15FRAMKIT-001

Refer to the kit user guide for example projects based on PSoC 4 Pioneer Kit and Arduino UNO R3 kit

© 2015 Cypress Semiconductor Corporation.
All rights reserved. All trademarks or registered trademarks referenced herein are the properties of their respective owners. Doc.# 001-96168 Rev.**

