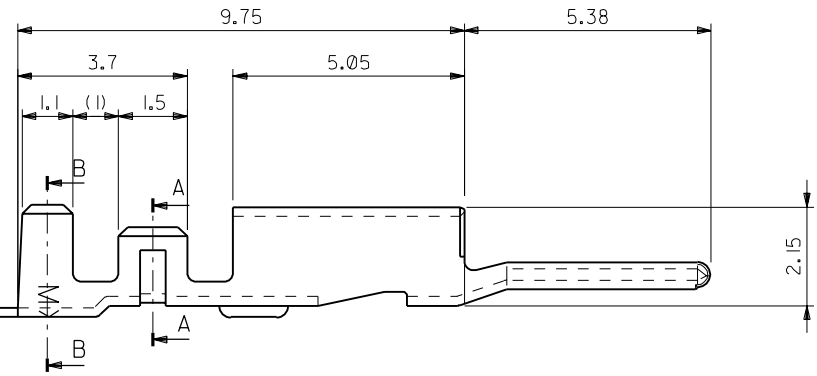
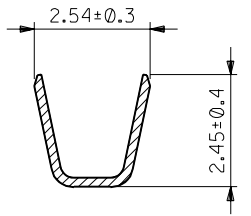
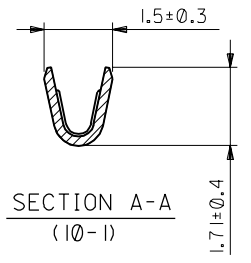
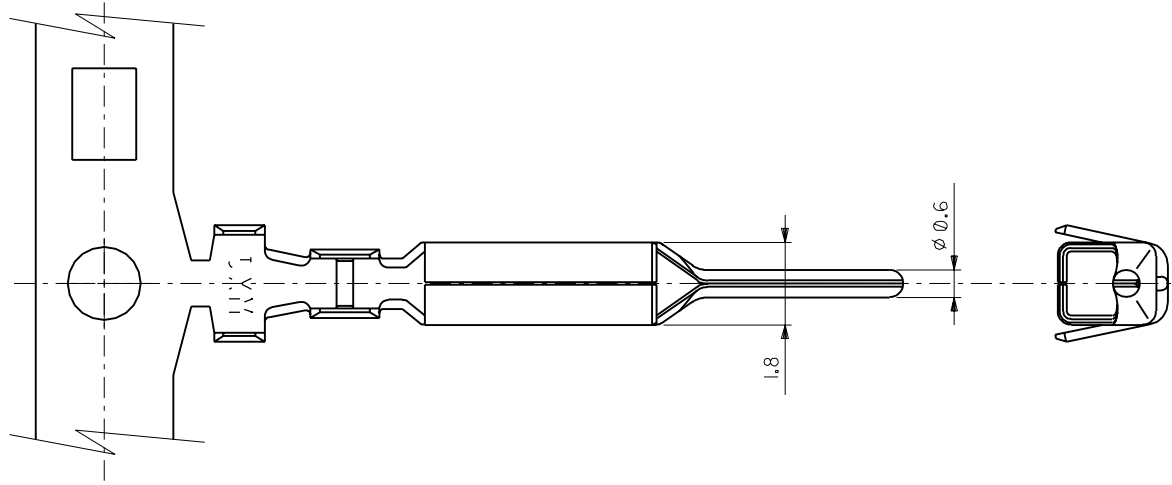


DWG. NO. SD-50837-002



注記
NOTE.

1. 適合ハウジング : 51198-***00
APPLICABLE HOUSING

50837-8100	バラ状 LOOSE
50837-8000	連鎖状 CHAIN
製品番号 MATERIAL NO.	端子形状 FORM

DO NOT SCALE DRAWING

EC NO. DRWN: CHK: APPR:	EC NO. DRWN: CHK: APPR:	EC NO. DRWN: CHK: APPR:	EC NO. DRWN: CHK: APPR:	EC NO. DRWN: CHK: APPR:	<p>新規作成 PROPOSED</p> <p>EC NO. JD90189 DRWN: M. YAGI '98/08/05 CHK: Y. ITO APPR: H. IKESUGI</p>	<p>MATERIAL 材料 りん青銅 スズメッキ (t=0.2)</p> <p>PRE-TINNED PHOSPHOR BRONZE (t=0.2)</p> <p>FINISH 仕上げ</p>	<p>GENERAL TOLERANCES: (UNLESS SPECIFIED) 一般公差</p> <p>10 UNDER 未満 ±0.2</p> <p>10 OVER 以上 30 UNDER 未満 ±0.25</p> <p>30 OVER 以上 ±0.3</p> <p>ANGLE 角度 ±3°</p>	<p>SCALE 10-1</p> <p>DESIGN UNITS <input checked="" type="checkbox"/>mm <input type="checkbox"/>INCH</p> <p>THIRD ANGLE PROJECTION</p>	<p>DRAWN BY & DATE <i>M. Yagi</i> '98/05/14</p> <p>CHECKED BY & DATE <i>Y. Ito</i></p> <p>APPROVED BY & DATE <i>H. Ikesugi</i></p> <p>CAD FILE NAME 50837002.S01</p>	<p>TITLE: 2.5 WIRE TO BOARD CONN. CRIMP PIN</p> <p>MATERIAL NO. DRAWING NO. SD-50837-002</p> <p>SHEET NO. 1 OF 1</p>	<p>DIMENSIONS: <input type="checkbox"/>mm <input type="checkbox"/>INCH <input checked="" type="checkbox"/>mm ONLY</p> <p>SHT REV REVISE ON CAD ONLY</p>
8	7	6	5	4	3	2	1	<p>THIS DRAWING CONTAINS INFORMATION THAT IS PROPRIETARY TO MOLEX INCORPORATED AND SHOULD NOT BE USED WITHOUT WRITTEN PERMISSION.</p>		<p>SIZE B</p>	