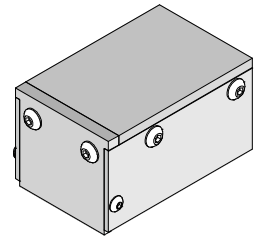




**2-by-2
zQSFP+
Insertion Tool**

**Application Tooling
Specification Sheet**



Order No. 62202-5260

FEATURES

- Lightweight tool used in the insertion of a zQSFP+ connector in a PCB
- Inserts connector to a PCB without damage to the board
- Use tool 62202-5220 for removing connectors
- PCB support not included (furnished by customer)

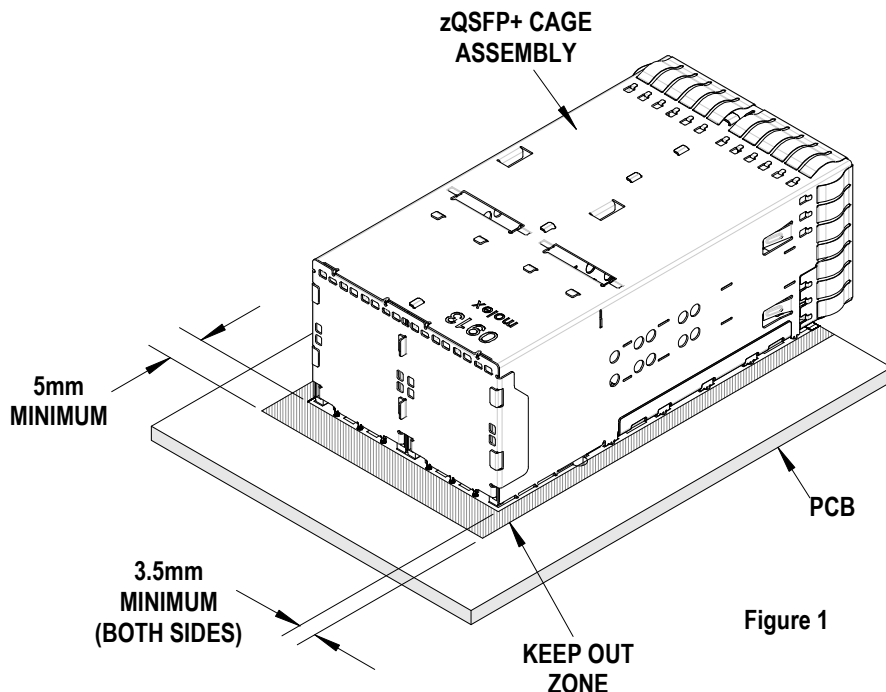
SCOPE

Products: zQuad Small Form-factor Pluggable Plus (zQSFP+) Cage Assembly, with Elastomeric Gasket or Metal EMI Gasket, 2 by 2 Enhanced EMI Cage Construction.

Connector Series No.	Connector Order No.					
171565	171565-0001	171565-0002	171565-0003	171565-2001	171565-2002	171565-2003
171722	171722-2001	171722-2002	171722-2003	171722-2062		

Notes:

1. See the following pages for tooling operation instructions.
2. These tools require a "Keep Out Zone" around the connector free of components. The right and left sides should be .138" (3.5mm). The rear of the connector should be .197" (5.0mm). See Figure 1.



Description

The following instructions are used for inserting the 2 by 2 connector into a PCB.

Operation

1. Place a connector assembly on the PCB.
2. Place the tool on the connector assembly (closed end to the back end of the connector). See Figure 2.
3. Place tool, connector, and PCB, in a press of suitable size and force, and seat the connector assembly as shown. The support plate (furnished by the customer) under the PCB must have clearance for the connector pins as they pass through the PCB.

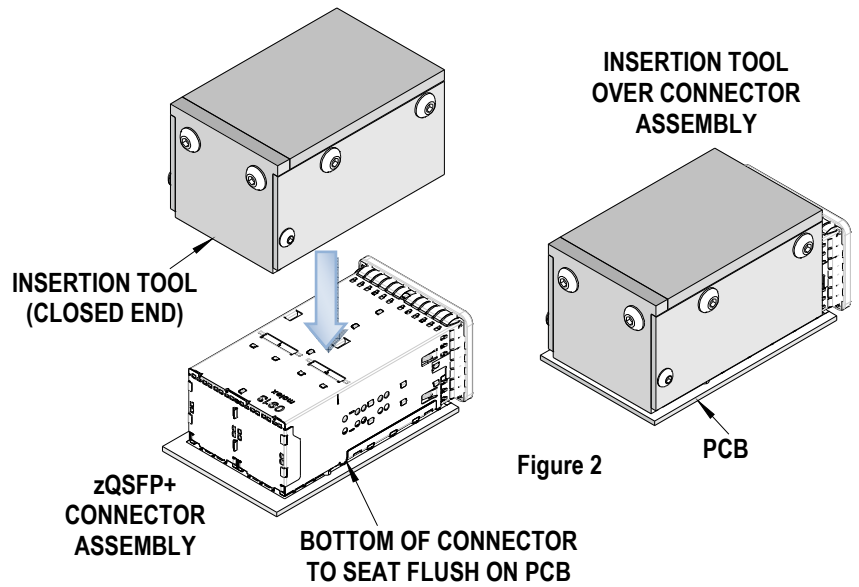


Figure 2

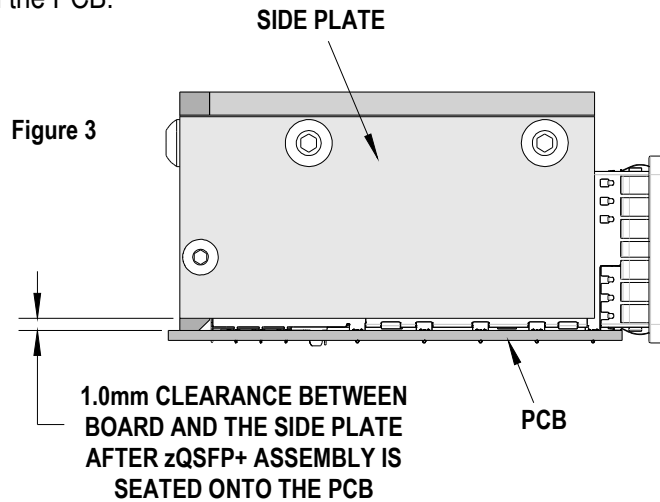


Figure 3

Clearance

Use this tool only with a press that has a predetermined shut height when seating a zQSFP+ Assembly on a PCB. See figure 3. Allowing the Press-In Tool to stop on the board will result in damage the zQSFP+ cage and terminals being over seated.

CAUTION: Molex application tooling specifications are valid only when used with Molex connectors and tooling.

Application Tooling Support

Phone: +1-402-458-TOOL (8665)
E-Mail: applicationtooling@molex.com
Website: www.molex.com/applicationtooling