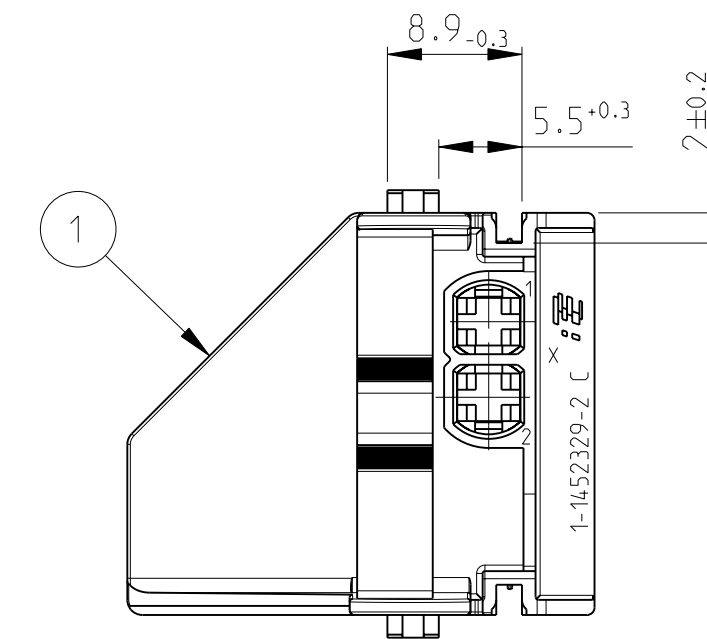
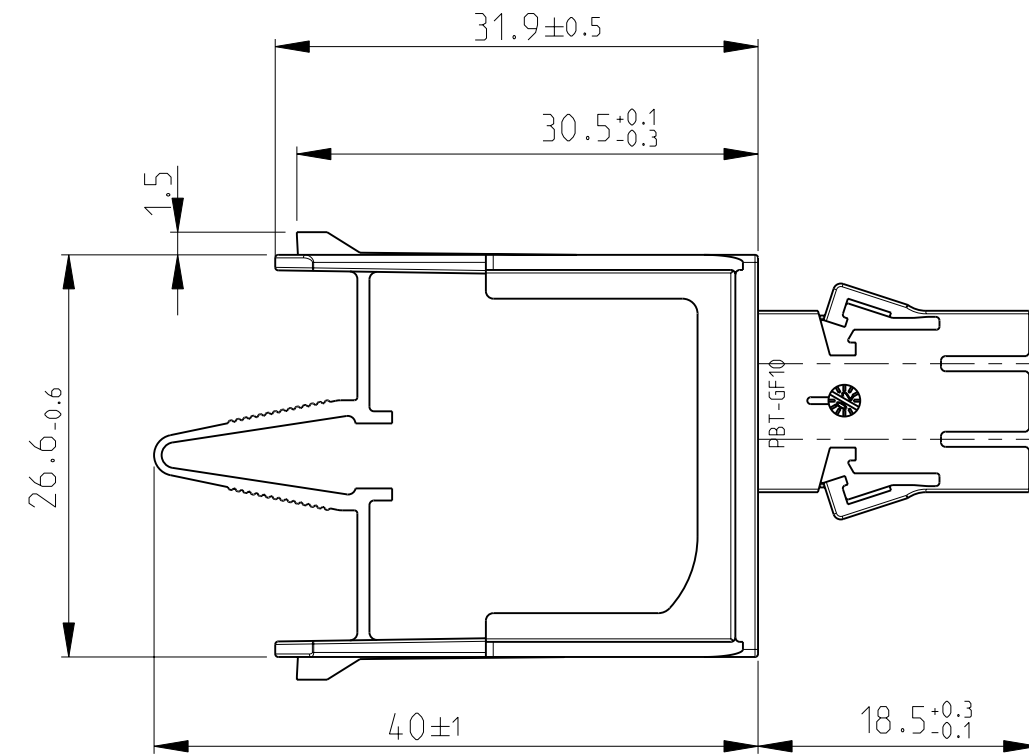
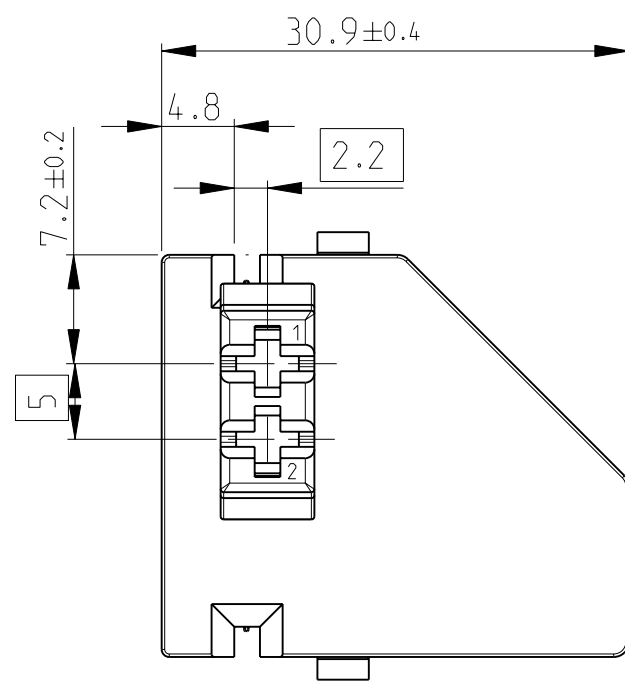


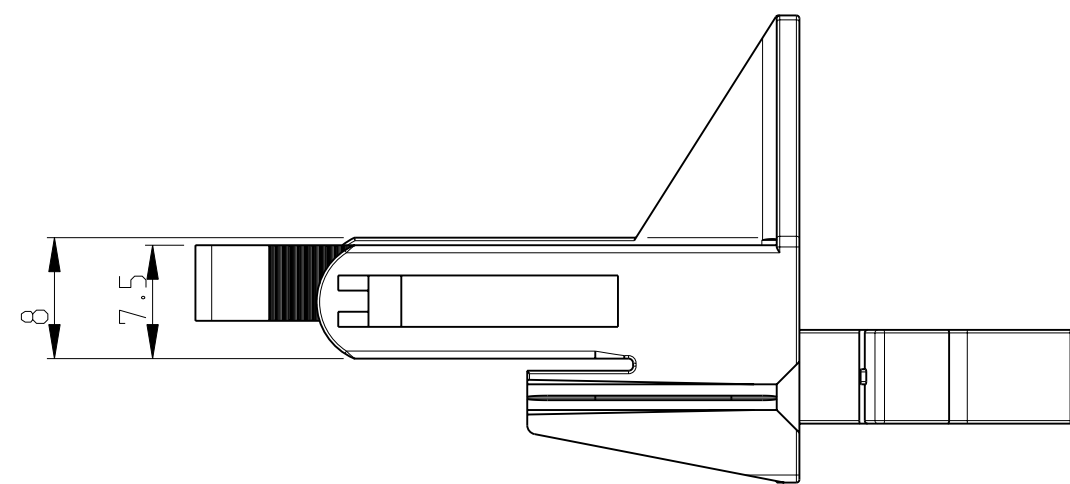
THIS DRAWING IS UNPUBLISHED. RELEASED FOR PUBLICATION 2000
 © COPYRIGHT 2000 ALL RIGHTS RESERVED.

LOC	DIST	REVISIONS			
P	LTR	DESCRIPTION	DATE	DWN	APVD
A	-	C	NEW DRAWING	01DEC2011	SH KR

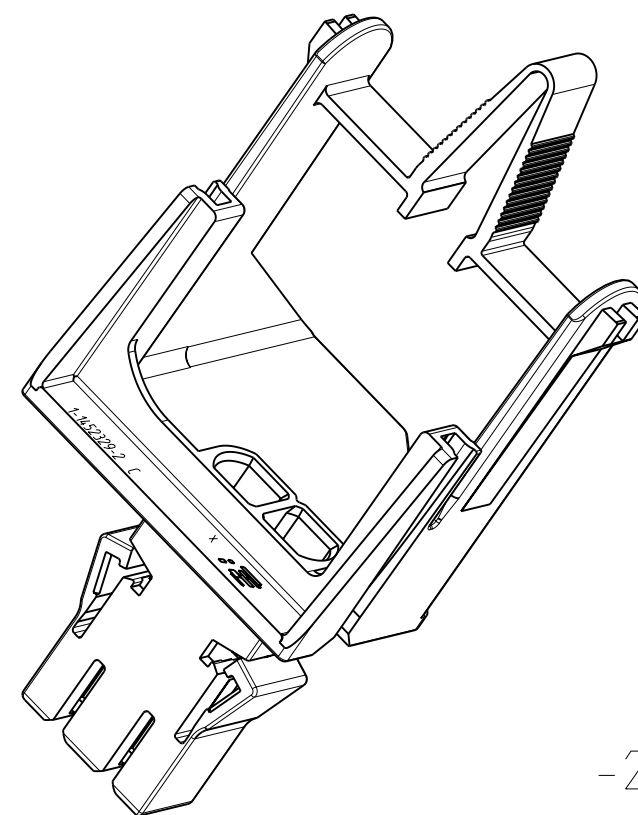
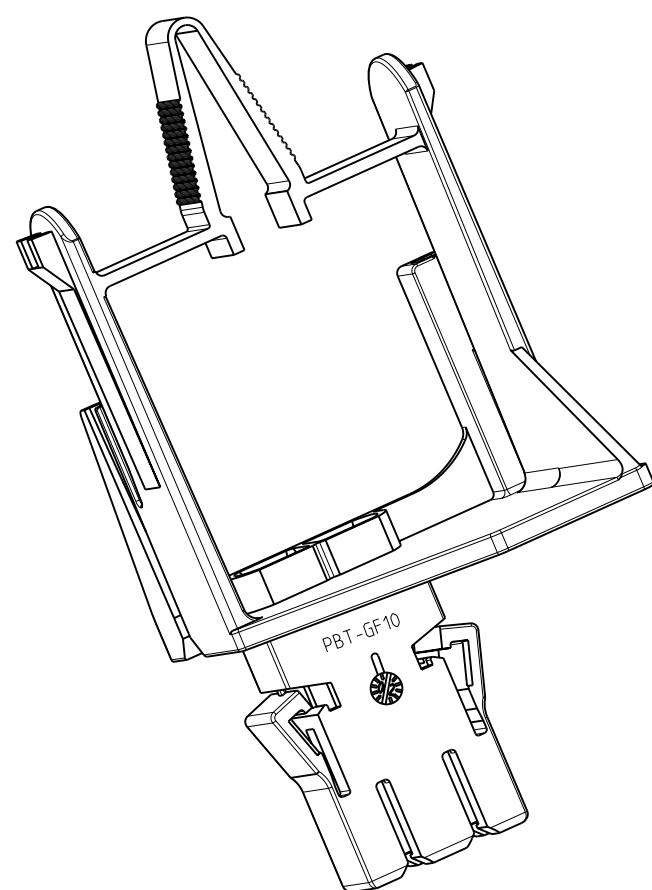


NOTES:
Bemerkungen:

1 INTERFACE SPEC. SEE: BROSE NORM BN 590011-XXX / BN 590025-XXX
 Anschlusskragen Spec.: Brose Norm BN 590011-xxx / BN 590025-xxx



APPLICABLE TIN CONTACTS Einsetzbare verzinnete Kontakte	
WIRE SIZE Leiterquerschnitt	TE : PN
0.5-1 mm ²	TE: 0-927771-1
1-2.5 mm ²	TE: 0-927768-1



-2 AS SHOWN
wie gezeichnet

TE PART NR.	MATERIAL	COLOR	DESCRIPTION	ITEM NR.
0-1452329-2	PBT-GF15	BLACK	2 POS. SOCKET HOUSING JPT	1

THIS DRAWING IS A CONTROLLED DOCUMENT.		DWN SHREESHAIL.H 01DEC2011	TE Connectivity		
DIMENSIONS: mm		CHK K.ROTH 01DEC2011			
TOLERANCES UNLESS OTHERWISE SPECIFIED:		APVD G.MUMPER 01DEC2011	RESTRICTED TO		
0 PLC ±0.3		PRODUCT SPEC	SIZE	CAGE CODE	DRAWING NO
1 PLC ±0.3		APPLICATION SPEC	A2	00779	1452329
2 PLC ±0.3		114-18540-1	SCALE 2:1 SHEET 1 OF 1 REV C		
3 PLC ±		WEIGHT	CUSTOMER DRAWING		
4 PLC ±					
ANGLES ±°					
FINISH					
SEE TABLE					