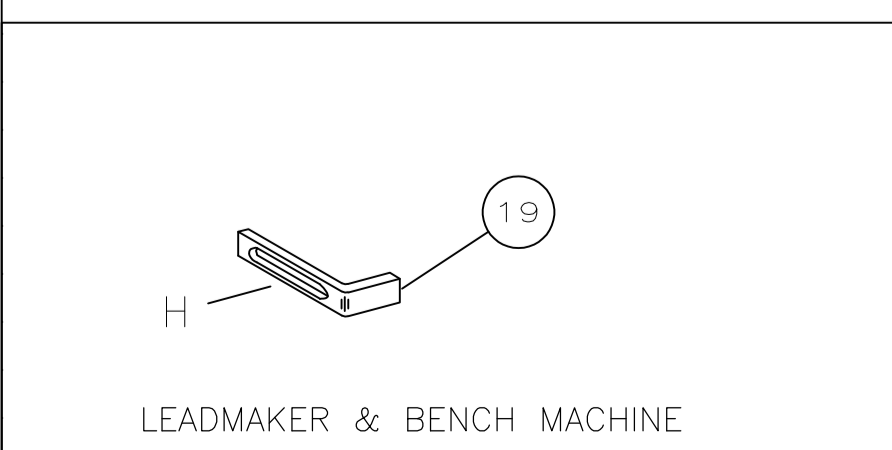
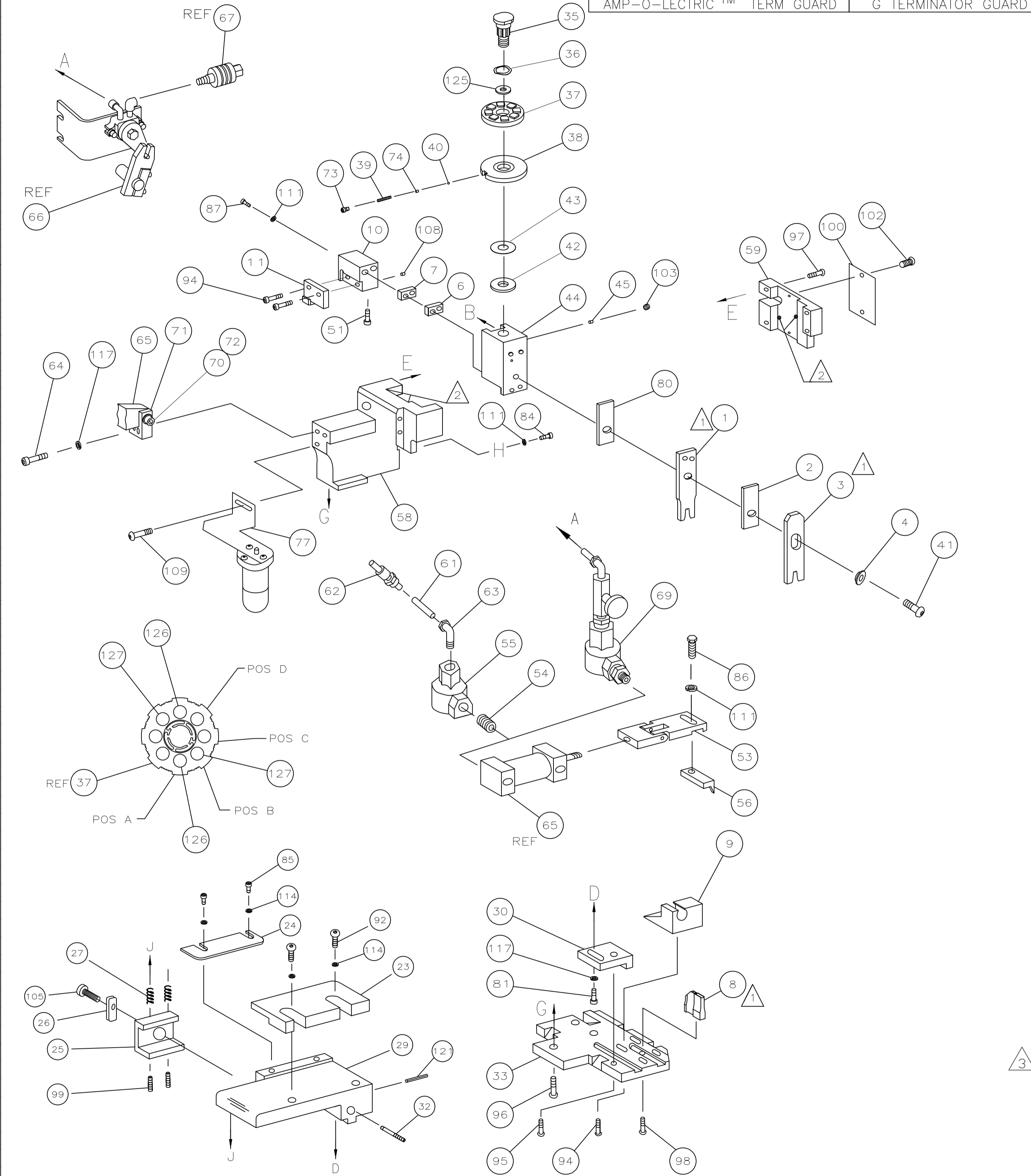


PART NUMBER	REV	FIRST USED
1852130-1	B	122500-1
1852130-2	B	565435-5
1852130-3	B	354500-1



- 1 RECOMMENDED SPARE PARTS.
- 2 GREASE LIGHTLY.
- 3 GUARD MUST BE IN PLACE WHEN OPERATING APPLICATOR IN A BENCH MACHINE.
- 4 SEE DRAWING FOR COMPONENTS.

AMP TERM PN		MFR TERM PN		PACKARD TERMINAL		PACKARD CRIMP SPECS	
1572802		2965439					
WIRE STRIP LENGTH		TERM APPL SPEC		FEED		APPL INSTRUCTION	
4.22-4.98		NONE		15.87		408-8040	
				SET UP GAGE		LAYOUT	
				458637-1		L4013	

QTY	REQD	PER	ASSY	PART NO	DESCRIPTION	ITEM NO
1	1	1				129
						128
2	2	2		8-354778-5	PIN, WIRE DISC (.2920)B	127
2	2	2		8-354778-1	PIN, WIRE DISC (.2900)A	126
1	1	1		986950-1	WASHER, FLAT PRECISION	125
1	1	1		217238-1	GENERAL INSTRUCTION PACKAGE	124
1	1	1		4088040	SF APPL INST 408-8040	123
						122
1	1	1		3-21028-8	PIN,SLT SPR(Ø.093x.62)ST GDE PL	121
						120
						119
						118
1	1	1		21024-5	WASHER, LOCK(#10)ADJ BLOCK	117
						116
						115
4	4	4		21024-2	WASHER,LOCK(#4)FRONT STP GUIDE	114
						113
						112
4	4	4		21024-4	WASHER,LOCK(#8)STRIPPER	111
						110
						109
1	1	1		2-21002-6	SCR,BHC(10-32x.38)LUBE ASSY	108
1	1	1		2-21006-1	SCR, SKT SET(4-40x.25)	107
						106
1	1	1		22353-8	SCR,SHLD(Ø.187x.25)DRAG LEVER	105
						104
1	1	1		21009-2	SCR,SKT SET(1/4-20x.25 LW)RAM	103
2	2	2		21017-2	SCR,DRIVE(#2x.19)ID PLATE	102
						101
1	1	1		461264-1	PLATE, IDENTIFICATION	100
2	2	2		5-21006-6	SCR,SKT SET (10-32x.75)DRAG	99
1	1	1		22733-8	SCR,BHC(8-32x.38 LW)ANVIL	98
4	4	4		2-21002-9	SCR,BHC(10-32x.75)CAP	97
3	3	3		2-22733-8	SCR,BHC(1/4-20x.62)HOUSING	96
1	1	1		2-21002-7	SCR,BHC(10-32x.50)SG ADJ BLK	95
4	4	4		2-21002-2	SCR,BHC(8-32x.50)TERM H DWN	94
						93
2	2	2		1-21000-5	SCR,SHC(4-40x.50)F ST GUIDE	92
						91
						90
						89
						88
2	2	2		3-21000-1	SCR,SHC(8-32x1.00)DEP-HOLD	87
1	1	1		2-22603-0	SCR,HEX HD(8-32x.31)FEED FINGER	86
2	2	2		1-21000-3	SCR,SHC(4-40x.25)R ST GUIDE	85
1	1	1		2-21000-7	SCR,SHC(8-32x.50)STRIPPER	84
						83
						82
1	1	1		3-21000-4	SCR,SHC(10-32x.38)SG ADJ BL	81
1	1	1		455888-6	SPACER, CRIMPER	80
				455749-1	GUARD, WINDOW	79
REF				679532-1	INSERT, GUARD	78
				1-465184-0	LUBRICATOR ASSY	77
						76
						75
1	1	1		690603-1	SPRING, ASSIST	74
1	1	1		23030-1	SCR,SHC(6-32x.25 SL)INS DISC	73
1	1	1		3-21001-5	SCR,SHC(3/8-16x1.00)AIR FEED	72
1	1	1		459610-1	MOUNT, FEED BRACKET	71
-3	-2	-1	U/M	PART NO	DESCRIPTION	ITEM NO
						70
						69
						68
						67
						66
						65
						64
						63
						62
						61
						60
						59
						58
						57
						56
						55
						54
						53
						52
						51
						50
						49
						48
						47
						46
						45
						44
						43
						42
						41
						40
						39
						38
						37
						36
						35
						34
						33
						32
						31
						30
						29
						28
						27
						26
						25
						24
						23
						22
						21
						20
						19
						18
						17
						16
						15
						14
						13
						12
						11
						10
						9
						8
						7
						6
						5
						4
						3
						2
						1

LOC	DIST	REVISIONS					
A	66	F	LTR	DESCRIPTION	DATE	OWN	APVD
		B		ECR-09-013446	6-2009	MY	GB

-1	LEADMAKER	AIRFEED
-2	BENCH MODEL K	AIRFEED
-3	BENCH MODEL G	AIRFEED

QTY	REQD	PER	ASSY	PART NO	DESCRIPTION	ITEM NO
1	1	1				70
						69
						68
						67
						66
						65
						64
						63
						62
						61
						60
						59
						58
						57
						56
						55
						54
						53
						52
						51
						50
						49
						48
						47
						46
						45
						44
						43
						42
						41
						40
						39
						38
						37
						36
						35
						34
						33
						32
						31
						30
						29
						28
						27
						26
						25
						24
						23
						22
						21
						20
						19
						18
						17
						16
						15
						14
						13
						12
						11
						10
						9
						8
						7
						6
						5
						4
						3
						2
						1
-3	-2	-1	U/M	PART NO	DESCRIPTION	ITEM NO
						70
						69
						68
						67
						66
						65
						64
						63
						62
						61
						60
						59
						58
						57
						56
						55
						54
						53
						52
						51
						50
						49
						48
						47
						46
						45
						44
						43
						42
						41
						40
						39
						38
						37
						36
						35
						34
						33
						32
						31
						30
						29
						28
						27
						26
						25
						24
						23
						22
						21
						20
						19
						18
						17
						16
						15
						14
						13
						12
						11
						10
						9
						8
						7
						6
						5
						4
						3
						2
						1