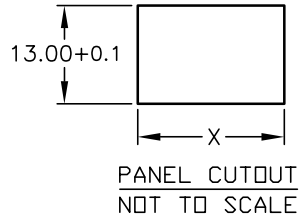
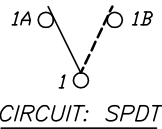


PANEL THICKNESS	X dimension
0.75-1.25 [.030-.049]	19.2-0.1 [.756]
1.25-2.0 [.049-.079]	19.4-0.1 [.764]
2.0-3.0 [.079-.118]	19.8-0.1 [.780]

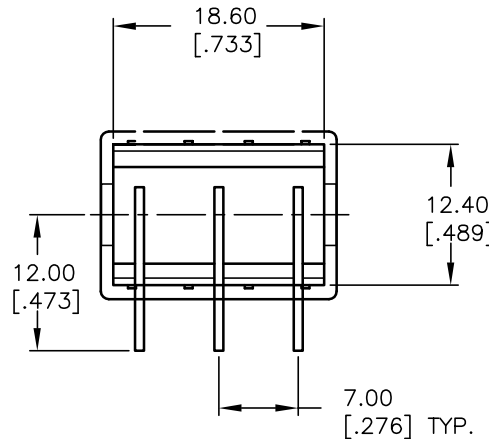
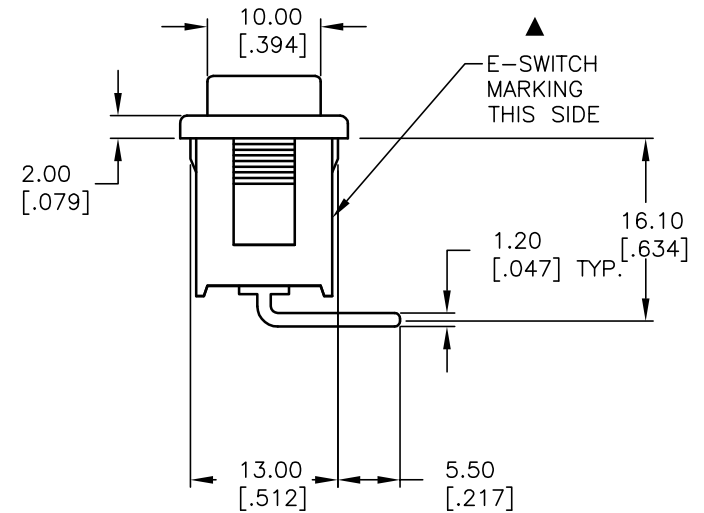
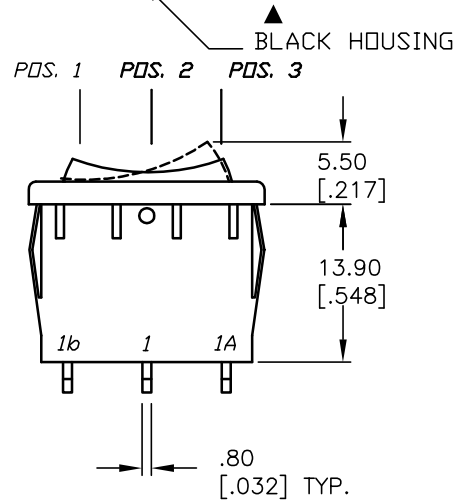
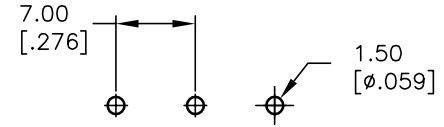
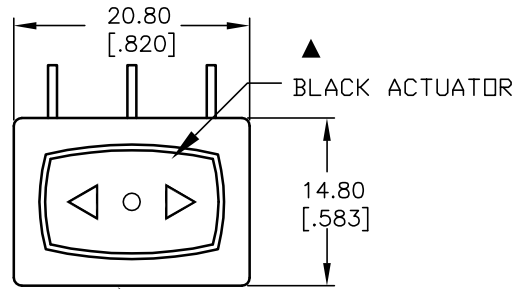


SWITCH FUNCTION		
POS. 1	POS. 2	POS. 3
ON	OFF	ON
1-1a	OPEN	1-1b



NOTES:

1. ALL DIMENSIONS IN MM [INCH]
2. GENERAL TOLERANCE: X.X=±0.4  
X.XX=±0.25
3. TERMINAL NOS. FOR REF ONLY.
- ▲ 4. RATING: 15A @ 125VAC OR  
6A @ 250VAC
5. MATERIALS: TERMINALS: SILVER PLATED COPPER ALLOY  
CONTACTS: COIN SILVER, SILVER PLATED
6. ELECTRIC LIFE: 10,000 CYCLES
7. CONTACT RESISTANCE: 10 MLLI-OHMS MAX. TYPICAL  
INITIAL @ 2-4VDC
8. INSULATION RESISTANCE: >1000 MEGA-OHMS
9. DIELECTRIC STRENGTH: >1500 V 1 MINUTE  
>3000 V BETWEEN POLES
10. ▲ DENOTES CRITICAL PARAMETER.



**E-SWITCH®**

TITLE				R1966DBLKBLKHR				
SCALE	DATE	DR	DWG	REV				
1.5:1	9/29/03	AR	M309312	A				

A	13489	RELEASED FOR PRODUCTION	9/29/03	AR
REV.	ECN No.	DESCRIPTION	DATE	CHKD

THE INFORMATION CONTAINED IN THIS DOCUMENT IS PROPRIETARY TO E-SWITCH AND IS NOT TO BE COPIED OR TRANSFERRED