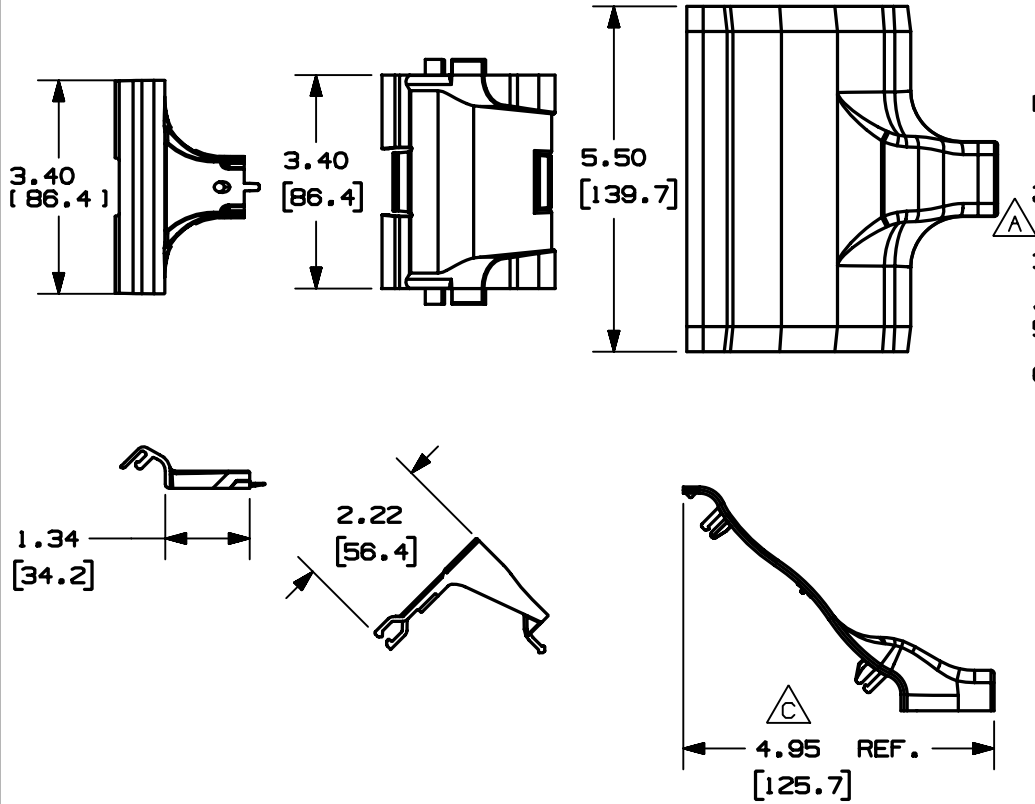
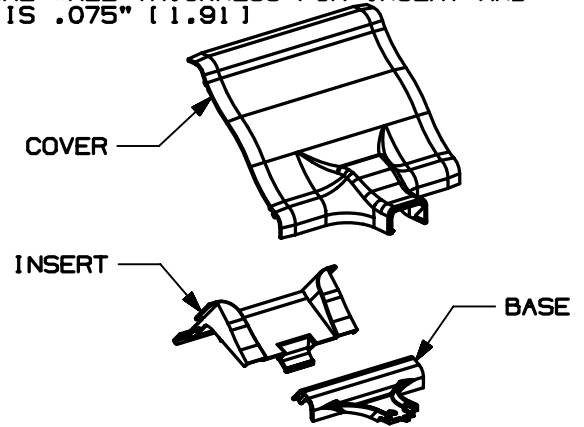


THIS COPY IS PROVIDED ON A RESTRICTED BASIS AND IS NOT TO BE USED IN ANY WAY DETRIMENTAL TO THE INTERESTS OF PANDUIT CORP.



PANDUIT PART NO.	WEIGHT
WCM35TR5	.243 LBS [110.22 G]

- NOTES:
1. SEE CURRENT CATALOG FOR ADDITIONAL PART NUMBER SUFFIXES TO INDICATE COLOR AND/OR PACKAGE QUANTITY.
 2. THIS PRODUCT IS INTENDED TO ROUTE CABLES BETWEEN PANDUIT WCM35 RACEWAY AND PANDUIT LD5, LD55 OR LDP5 RACEWAYS.
 3. THIS PRODUCT IS FEATURED WITH A 1" BEND RADIUS.
 4. DIMENSIONS IN PARENTHESIS ARE IN METRIC.
 5. NOMINAL WALL THICKNESS FOR COVER IS .100" [2.54].
 6. NOMINAL WALL THICKNESS FOR INSERT AND BASE IS .075" [1.91].



CAD FILENAME/LAYERS D38646BK_DC_WCM35TR5_00C.PRT

PANDUIT CORP. TINLEY PARK, ILLINOIS
 3.5 INCH COVE MOLDING LOW PROFILE
 TRANSITION FITTING (WCM35TR5)
 CUSTOMER DRAWING

REV	DATE	BY	CHK	DESCRIPTION	ECN	CHK	CUST	SUP
-	-----	---	---	RELEASED TO PRODUCTION	-----	---	---	---
2	12-31-03	JBN	BKR	C. REVISED DIMENSION TO REFERENCE	38646-07	RGRO	RGRO	
1	12-08-03	JBN	BKR	B. REVISED DESCRIPTION IN TITLE BLOCK A. REVISED NOTE 2				
R	08-13-03	JBN	BKR	DRAWING RELEASED				

UNLESS OTHERWISE SPECIFIED, DIMENSIONAL TOLERANCES ARE: (.X)± (.XXX) ± .015 [.38] (.XX)± .03 [.8] ANGLES ±		UNLESS OTHERWISE SPECIFIED, ALL DIMENSIONS ARE GIVEN IN INCHES, THIRD ANGLE PROJECTION.	
DRAWN BY JBN	MAT'L: PVC	SCALE NONE	
DATE 08-13-03	CHK'D BKR	DRAWING NO. 38646-07	DWG A SIZE