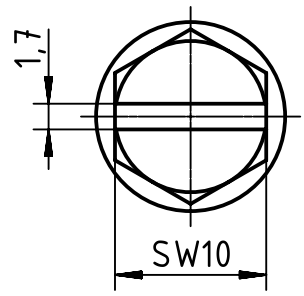


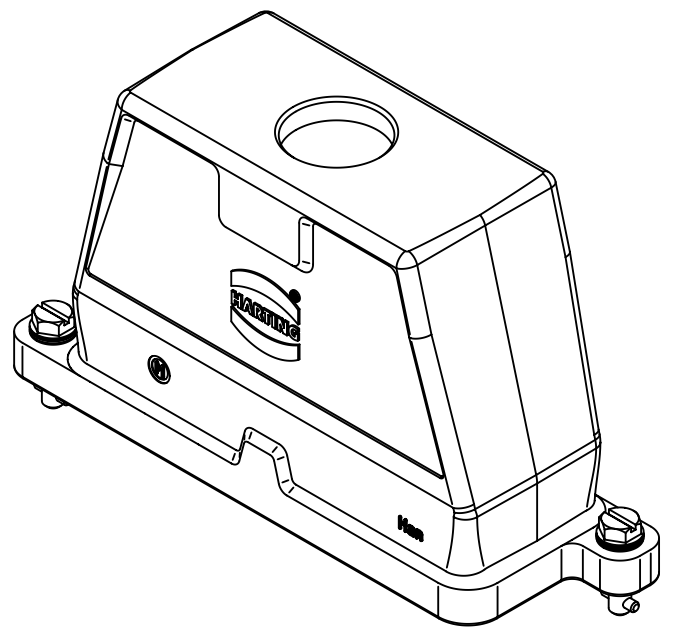
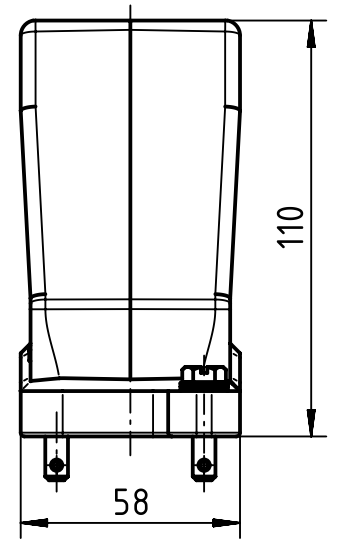
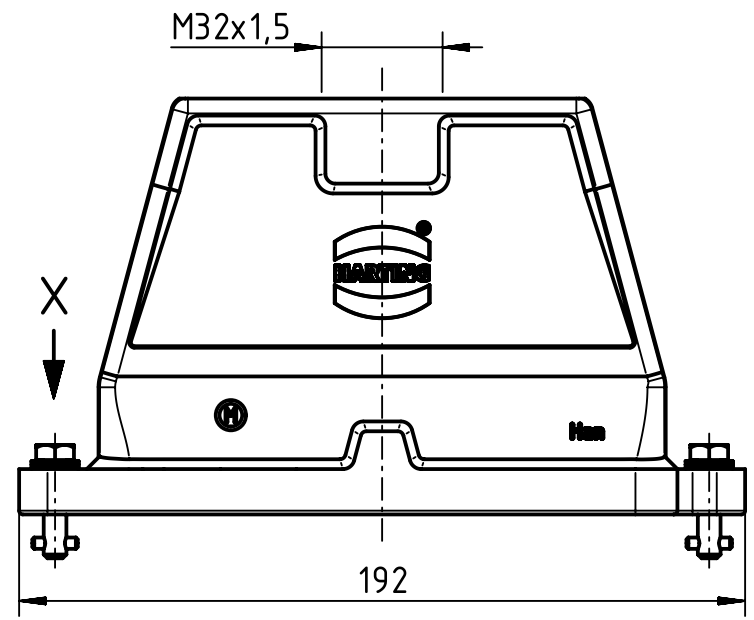
1 2 3 4 5 6

A  
B  
C  
D

X (2:1)



M32x1,5



	All Dimensions in mm Original Size DIN A4		Scale 1:2	Free size tol.		Ref. Sub. TB 19 40 024 0402 v. 10.01.11		
		All rights reserved Department EL PD - DE	Created by FINKEV	Inspected by SCHNIEDER	Standardisation TIEMANNA	Date 2014-09-11	State Final Release	
HARTING Electric GmbH & Co. KG D-32339 Espelkamp		Title Han 24 HPR Hood Top Entry M32 Screw Lock				Doc-Key / ECM-Nr. 10020194.7/UGD/004/A 500000078763		
			Type TB	Number 19 40 024 0402			Rev. A	Page 1/1