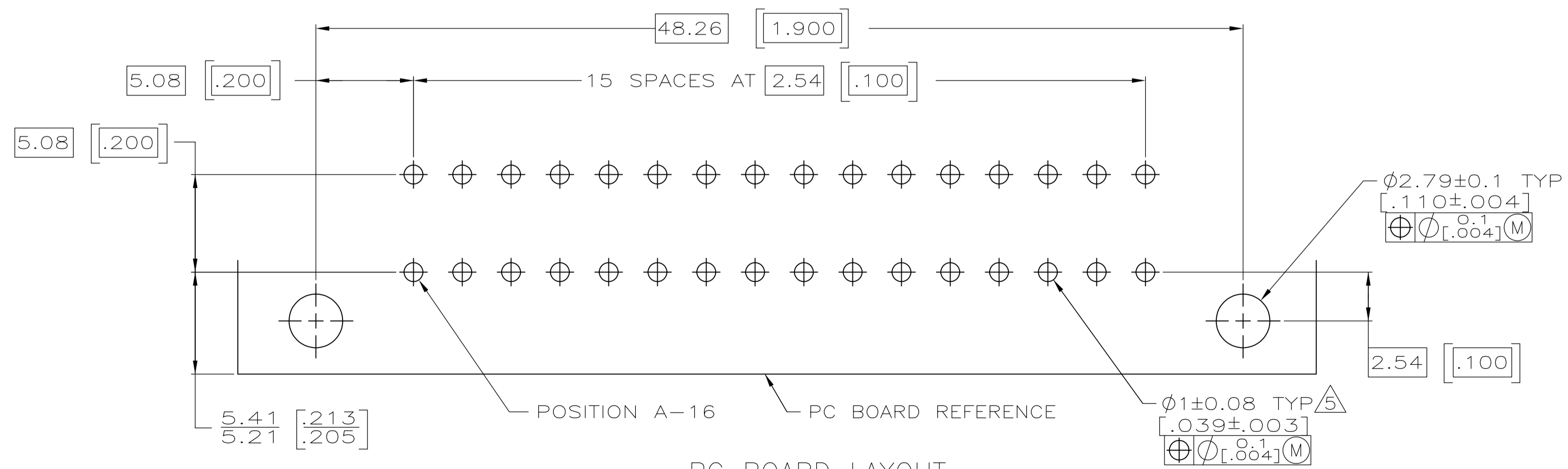
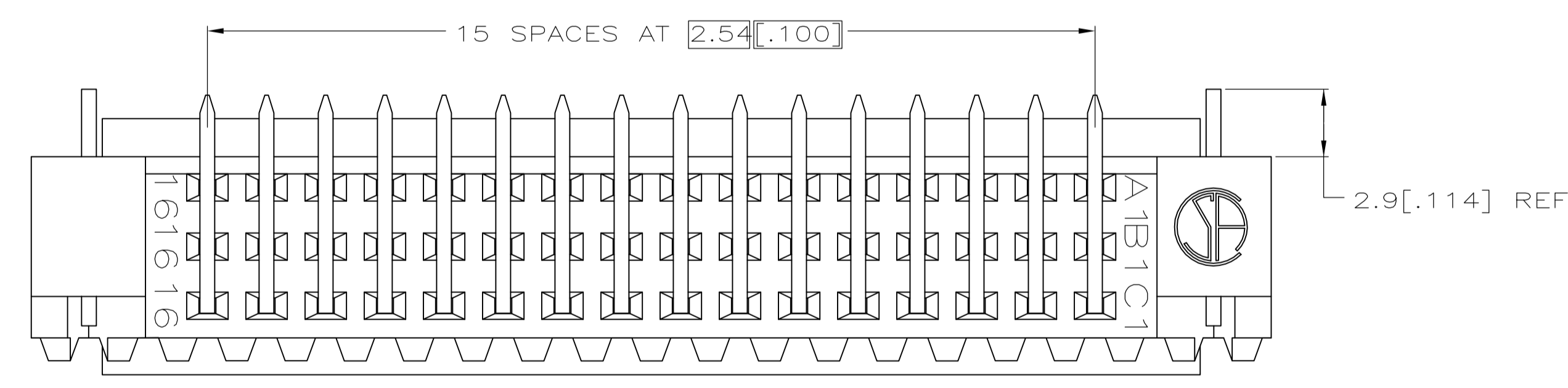
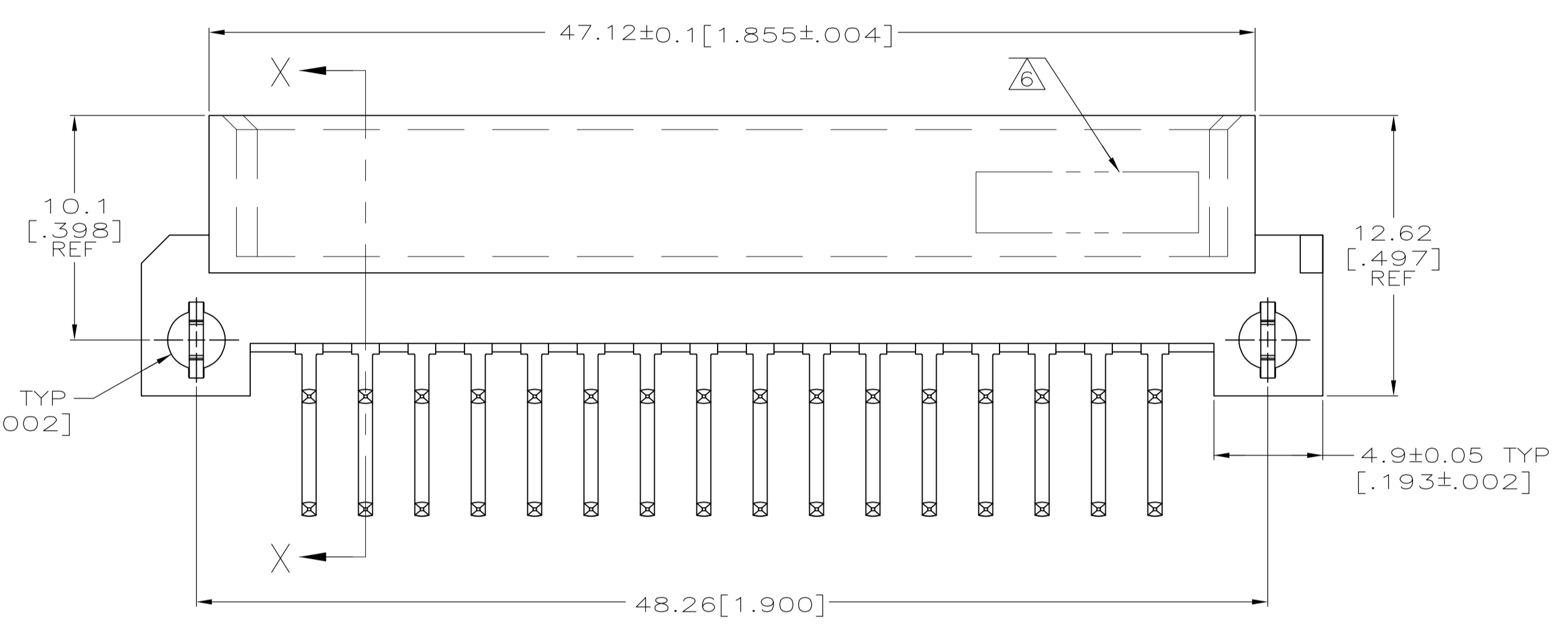
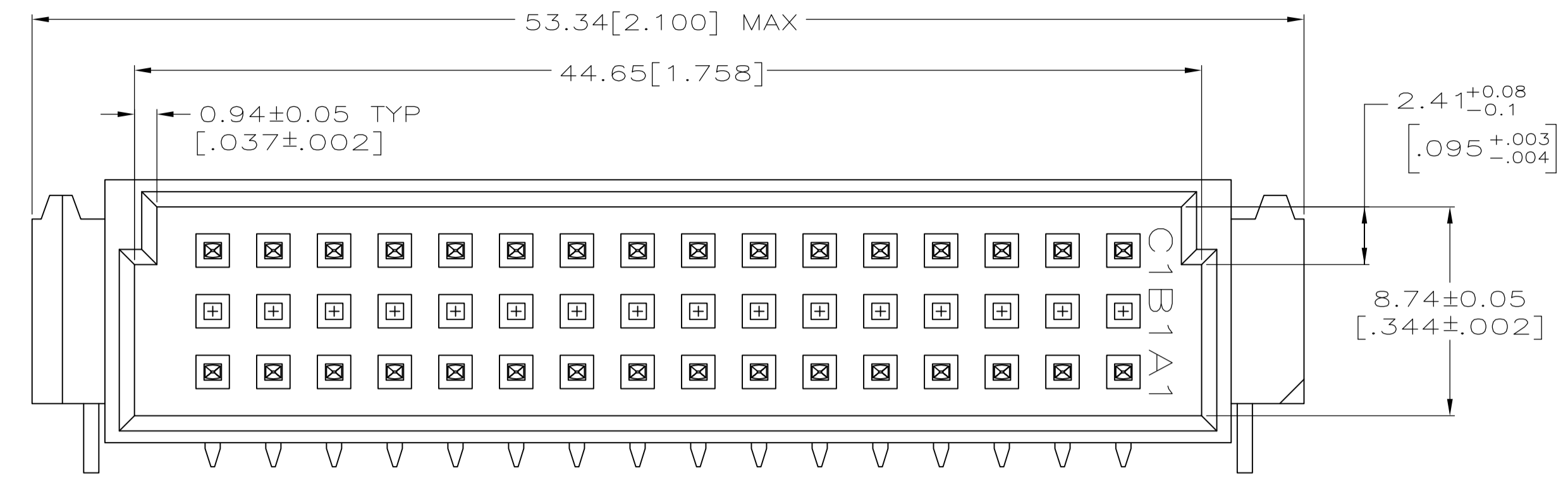
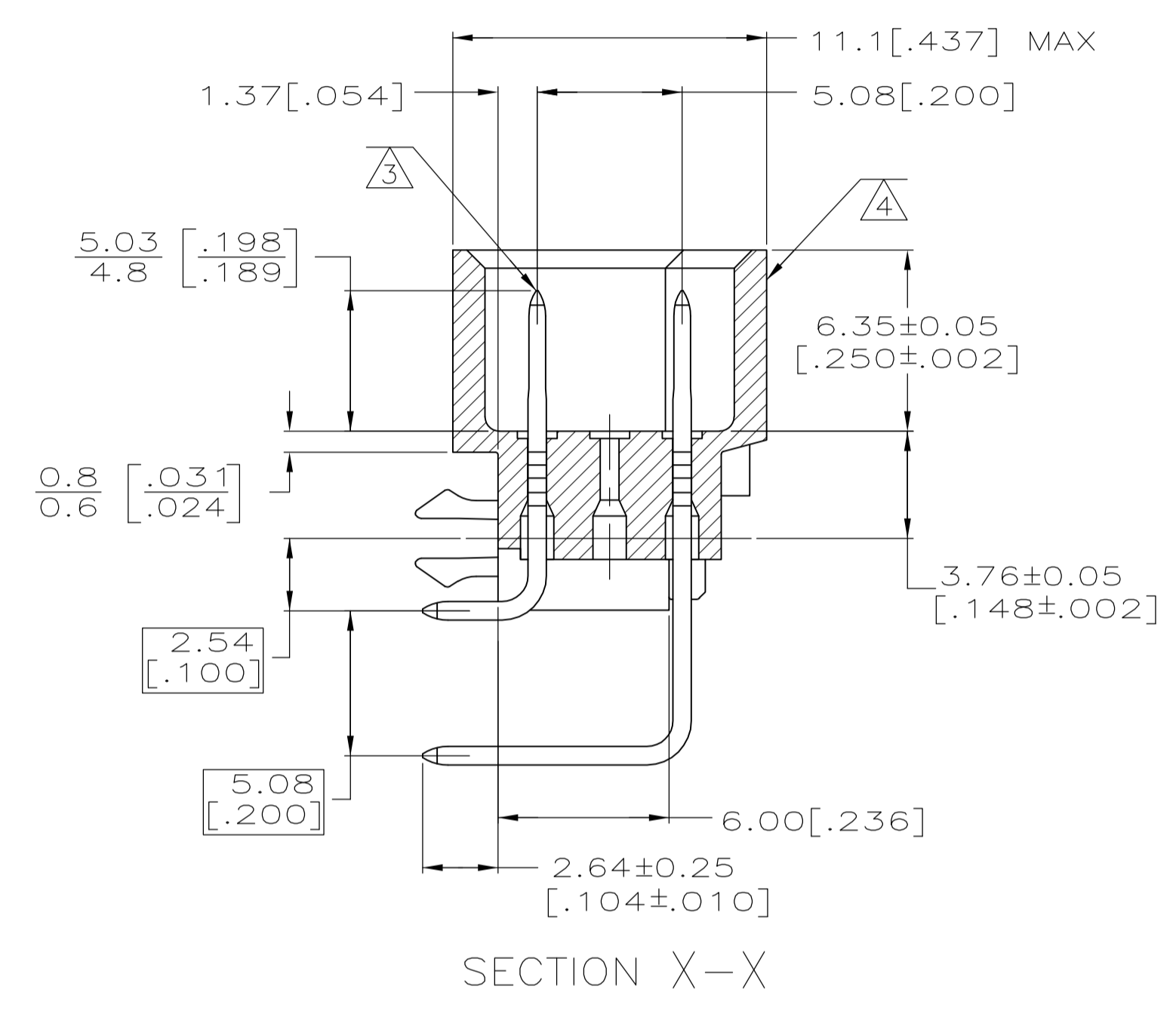


LOC		DIST		REVISIONS			
P	LTR	DATE	DN	APVD			
AD	25	01			REVISED PER ECO-07-018157	21AUG07	DH DB

- 1 HOUSING MATERIAL: GLASS-FILLED POLYMER.
- 2 POST MATERIAL: COPPER ALLOY.
- 3 POST FINISH: DIN 41612 CLASS 2 IN CONTACT AREA. TIN PLATE ON POSTS.
- 4 MARKING ON THIS SIDE.
- 5 RECOMMENDED HOLE SIZE FOR MANUAL APPLICATION OF CONNECTOR ONTO PC BOARD.
- 6 PART NUMBER, DATE CODE MARKED THIS APPROXIMATE AREA.



PC BOARD LAYOUT  
 RECOMMENDED PC BOARD THICKNESS 1.57[.062]



1-16	X	-	X	32	5650978-5
POSITIONS LOADED	C	B	A	NO. OF LOADED POSITION	ASSY PART NUMBER

THIS DRAWING IS A CONTROLLED DOCUMENT.		DIN J. POLIGNONE OSMAYOS		Tyco Electronics Corporation Harrisburg, PA 17105-3608	
DIMENSIONS: mm [INCHES]		TOLERANCES UNLESS OTHERWISE SPECIFIED:		NAME ASSEMBLY, PIN, EUROCARD, TYPE 1/C, A and C, 32/48 POSITION, 2.64[.104] SOLDER POST WITH BOARD LOCKS, SELECT LOAD	
0 PLC ± -	1 PLC ± -	2 PLC ± 0.13[.005]	3 PLC ± -	4 PLC ± -	ANGLES ± -
MATERIAL 1 2		FINISH 3		SIZE A1	CAGE CODE 00779
CUSTOMER DRAWING		SCALE 5:1		SHEET 1 of 1	REV 01