

IEC CONNECTORS SCREW MOUNTING

INTRODUCTIONS

1. Designed to meet globally accepted IEC publication 320 Class 1, that allows users to comply with industry standard in power entry requirement.
2. Connector for cold condition, with pin temperature 70°C max.
3. Nickel-plated brass pins and soldering terminals.
4. Screw-on mount from front or rear (with screw type-M3).
5. Fuse holder designed for one fuse and one spare fuse (both 5x20mm fuses). Safety interlock prevents fuse removal with line plug inserted.
6. Adapts to 110V or 240V input voltage simply by reversing the voltage selector.
7. All part numbers are UL recognized, CSA certified except for SK-015A which is UL listed.
 SK-1000 are DEMKO, approved.
 SK-1017 is UL, CSA approved.
 SK-1008 UL, CSA, VDE, CCC approved.
 SK-1007A UL, CSA approved.
 SK-1007A is patented for new construction (R.O.C. patent no. 54606).
 SK-015A is UL, CSA, VDE, Somko, CCC. Approved

SPECIFICATIONS

1. Rated voltage: 250VAC
2. Minimum insulation resistance at 500VDC: 10M OHM
3. Dielectric strength (one minute): 2000VAC between pins
4. Flammability class: UL 94V-0

ELECTRICAL SCHEMATIC

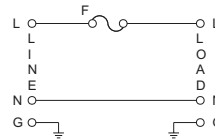


FIG. A

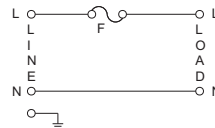
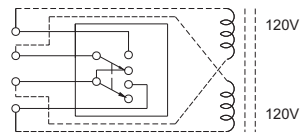


FIG. B

CUSTOMER TRANSFORMER PRIMARIES



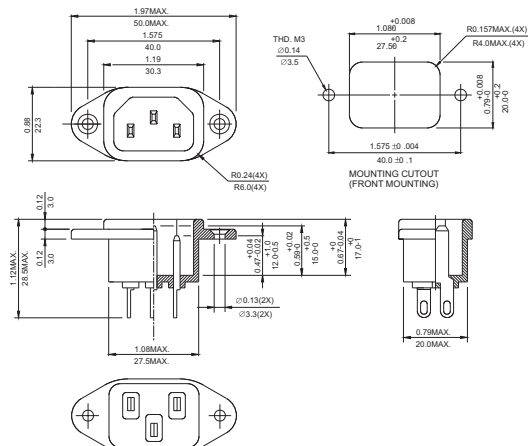
TYPE & RATED CURRENT

DELTA PART NUMBER		SK-015A	SK-1000	SK-1017	SK-1007A	REMARKS: 1. SK-015A RATING SEV/SEMKO/NEMKO/DEMKO-10A/250VAC SK-1017/SK-1000 SEMKO/NEMKO/SETI/DEMKO-10A/250VAC 2. SK-1017 FUSE HOLDER SINGLE FUSE HOLDER ON SK-1017 IS A RETAINED DESIGN 3. VOLTAGE SELECTOR CARD RATING UL/CSA/VDE-10A/250VAC 4. "S" FOR SINGLE FUSE HOLDER
RATED CURRENT (AT 250VAC)	UL/CSA	15A	15A	15A	10A	
	VDE	10A	10A	10A	10A	
CONNECTOR TYPE	MALE	△	△	△	△	
	FEMALE					
FUSE HOLDER		-	S *4	S *2	S *4	
VOLTAGE SELECTOR		-	-	-	FRONT *3	
ELECTRICAL SCHEMATIC		-	FIG. A	FIG. A	FIG. B	
UL		✓	✓	✓	✓	
CSA		✓	✓	✓	✓	
VDE		✓				
SEMKO		✓		✓		
CCC		✓		✓	✓	

MECHANICAL CONSTRUCTION



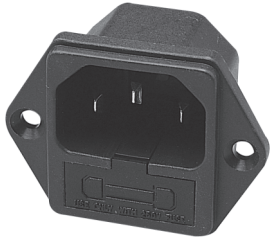
SK-015A



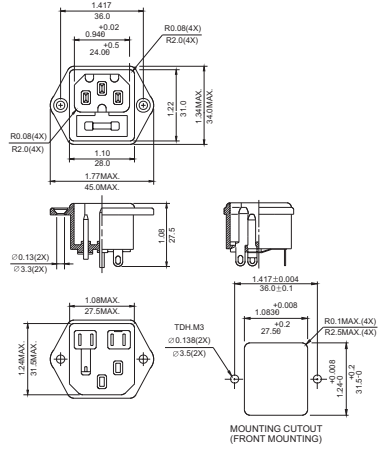
UNIT: INCH
mm

POWER ENTRY MODULES

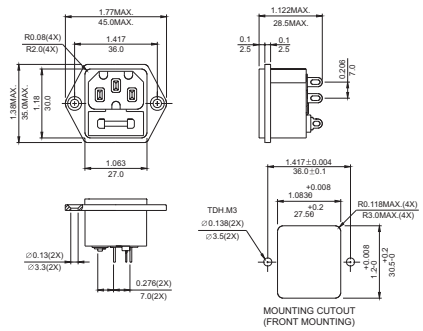
MECHANICAL CONSTRUCTION



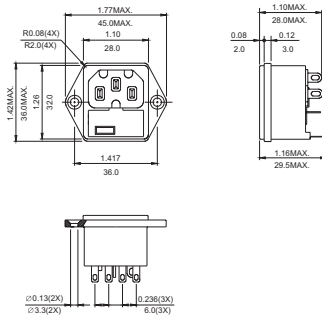
SK-1000



SK-1017



SK-1007A



UNIT: INCH
mm