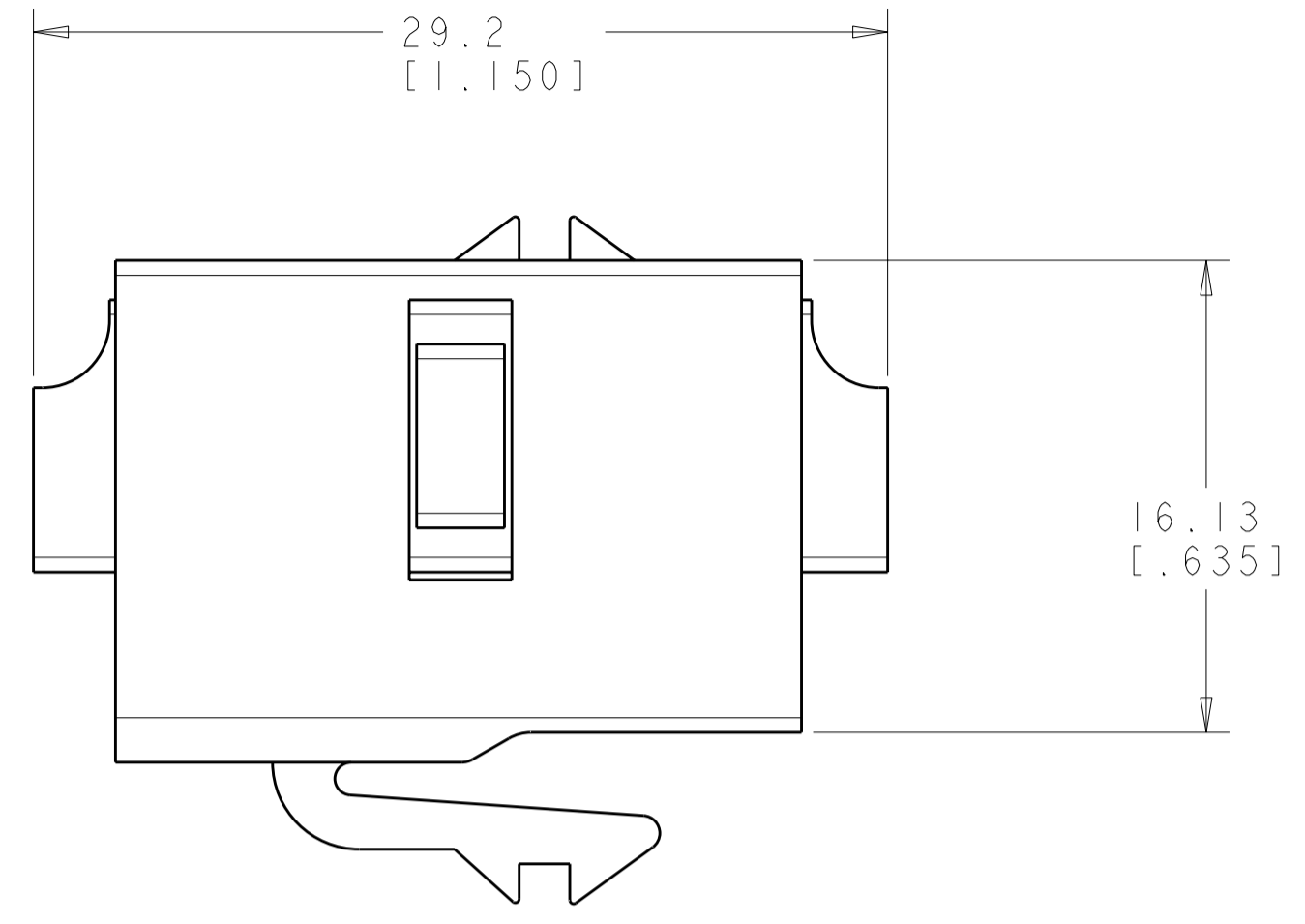
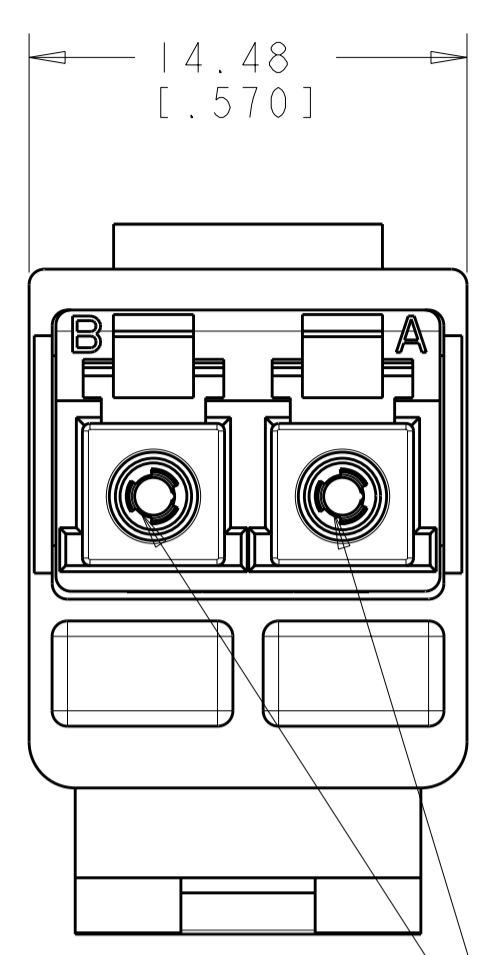


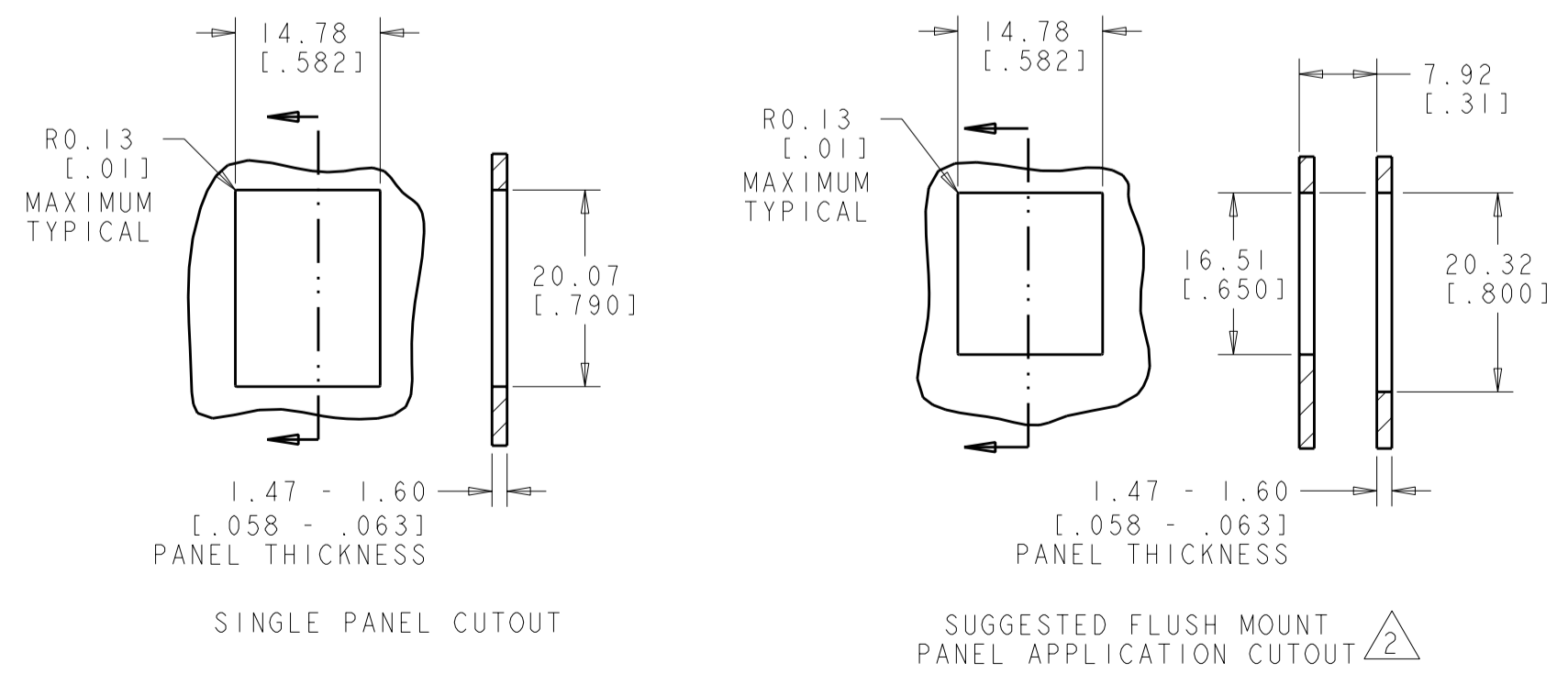
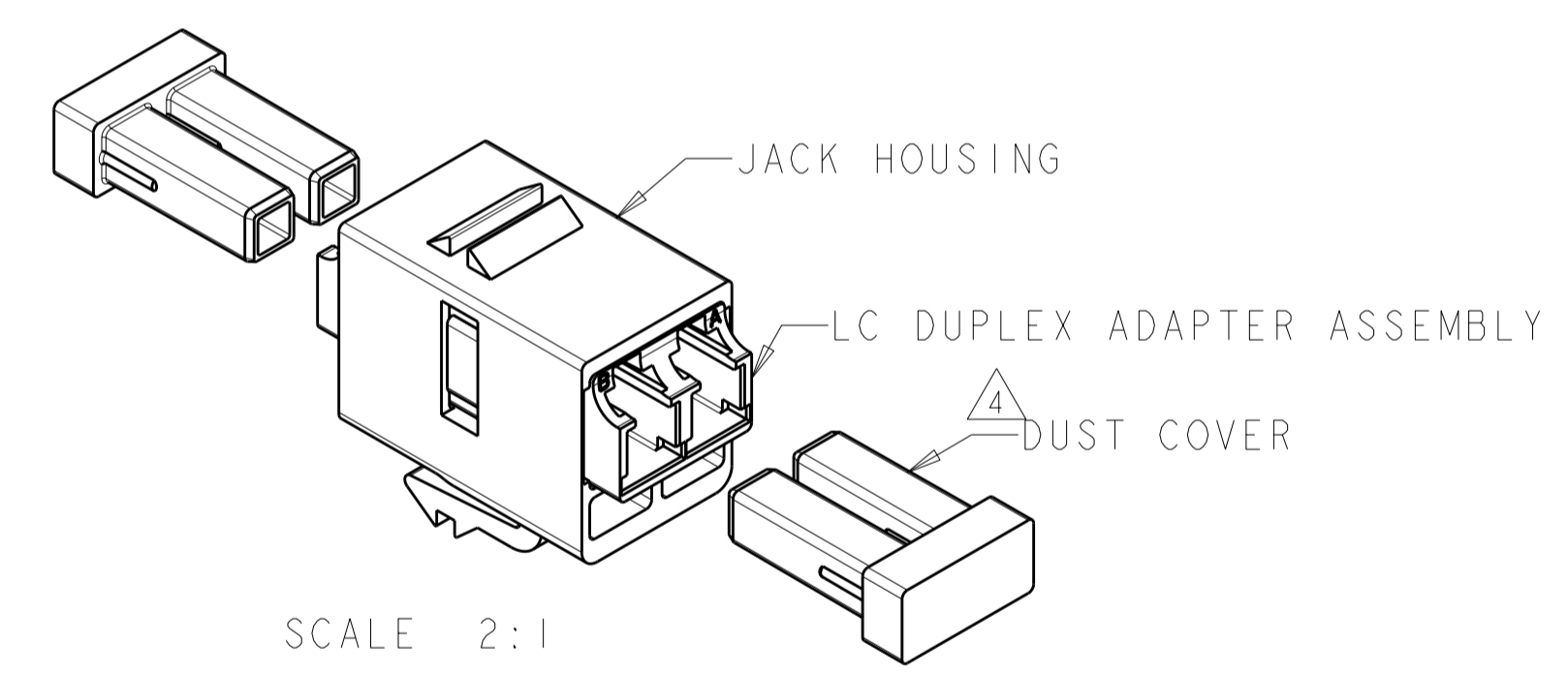
THIS DRAWING IS UNPUBLISHED. RELEASED FOR PUBLICATION 20
 © COPYRIGHT 20 BY TYCO ELECTRONICS CORPORATION. ALL RIGHTS RESERVED.

LOC	DIST	REVISIONS			
P	LTR	DESCRIPTION	DATE	DWN	APVD
HM	00				
	E	SUPERSEDE -6,1-1,1-2; REV ECO-10-000287	06APR2010	LH	SA



- 1 MATERIAL: JACK HOUSING - POLYPHENYLENE OXIDE, 94V-0 RATED. SEE TABLE FOR COLOR. LC DUPLEX ADAPTER ASSEMBLY - ULTEM 1010R. SEE TABLE FOR COLOR.
- 2 THESE TWO SUGGESTED CUTOUT OPENINGS ARE USED IN TANDEM WITH DUAL FRONT AND BACK CUTOUTS.
- 3 PACKAGED ONE ASSEMBLY PER POLYBAG.
- 4 DUST COVERS SHOWN NOT ASSEMBLED BUT SHIPPED ASSEMBLED TO DUPLEX LC ADAPTER.

ALIGNMENT SLEEVE, BRONZE
 QUANTITY 2



3	BLACK	RED	2-1933284-1
PACKAGE	ADAPTER COLOR	HOUSING COLOR	PART NUMBER
<small>THIS DRAWING IS A CONTROLLED DOCUMENT FOR TYCO ELECTRONICS CORPORATION. IT IS SUBJECT TO CHANGE AND THE CONTROLLING ENGINEERING ORGANIZATION SHOULD BE CONTACTED FOR THE LATEST REVISION.</small>		DWN G. GARRETT 17APR07 CHK G. BOWMAN 17APR07 APVD G. BOWMAN 17APR07 Tyco Electronics Harrisburg, PA 17105-3608	
DIMENSIONS: MM [INCHES] 		NAME: DUPLEX, LC ADAPTER, MM, SL HOUSING	
TOLERANCES UNLESS OTHERWISE SPECIFIED: 0 PLC ± 1 PLC ± 2 PLC ± 3 PLC ± 4 PLC ± ANGLES ± FINISH		PRODUCT SPEC APPLICATION SPEC WEIGHT SIZE: A2 CAGE CODE: 00779 DRAWING NO: 1933284 RESTRICTED TO:	
MATERIAL: 1		CUSTOMER DRAWING SCALE: 4:1 SHEET: 1 OF 1 REV: E	