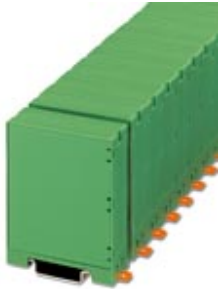


Electronic housing - EMUG 22- BE - 2943479


Please be informed that the data shown in this PDF Document is generated from our Online Catalog. Please find the complete data in the user's documentation. Our General Terms of Use for Downloads are valid (<http://download.phoenixcontact.com>)



Base element with snap-on foot, for mounting on standard DIN rail, 22.5 mm wide



Key commercial data

Packing unit	1 PCE
GTIN	 4 017918 081119
Weight per Piece (excluding packing)	18.0 GRM
Custom tariff number	85472000
Country of origin	Germany

Classifications

eCl@ss

eCl@ss 4.0	27180401
eCl@ss 4.1	27180401
eCl@ss 5.0	27180506
eCl@ss 5.1	27180506
eCl@ss 6.0	27180802
eCl@ss 7.0	27182702
eCl@ss 8.0	27182702

ETIM

ETIM 2.0	EC001031
ETIM 3.0	EC001031
ETIM 4.0	EC001031
ETIM 5.0	EC001031

Electronic housing - EMUG 22- BE - 2943479

Classifications

UNSPSC

UNSPSC 6.01	31261501
UNSPSC 7.0901	31261501
UNSPSC 11	31261501
UNSPSC 12.01	31261501
UNSPSC 13.2	31261501

Accessories

Accessories

Device marking

Marking material - EMG-GKS 22 - 2941594



Equipment marker tag, width 22 mm

Terminal marking

Marker cards - SK U/3,8 WH:UNBEDRUCKT - 0803906



Marker cards, Sheet, white, Unlabeled, Can be labeled with: Plotter, Office printing systems, Mounting type: Adhesive, Lettering field: 186 x 3.8 mm

Marking material - EMG-GKS 12 - 2947035



Equipment marker, width 12 mm

Electronic housing - EMUG 22- BE - 2943479

Accessories

Marking material - EMG-SGKS 10 - 2947585



Equipment marker, narrow

Required add-on products

Electronic housing - EMUG- SE 5,0MM - 2943505

Side element, two pieces necessary, for closing the base element on both sides, without PCB, 5 mm thick.

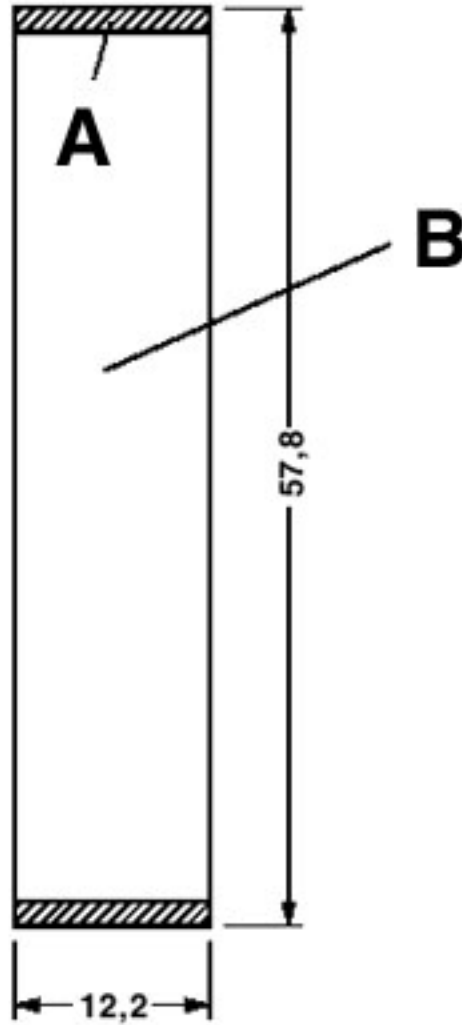
Electronic housing - EMUG- SE 3,5MM - 2943495

Side element, two pieces necessary, for closing the base element on both sides, without PCB, 3.5 mm thick.

Drawings

Electronic housing - EMUG 22- BE - 2943479

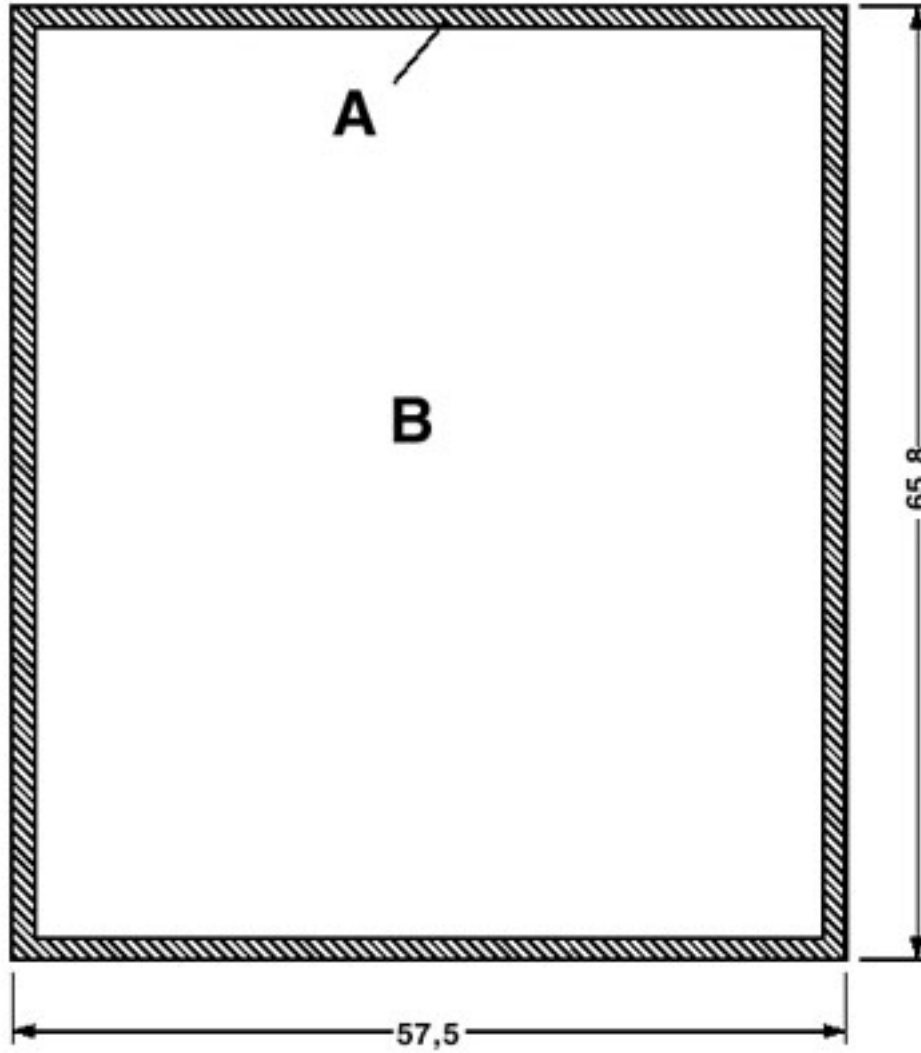
Dimensioned drawing



PCB 1 and 2 for EMUG 22 (horizontal)
A = PCB edge = 1.5 mm
B = Overall component area

Electronic housing - EMUG 22- BE - 2943479

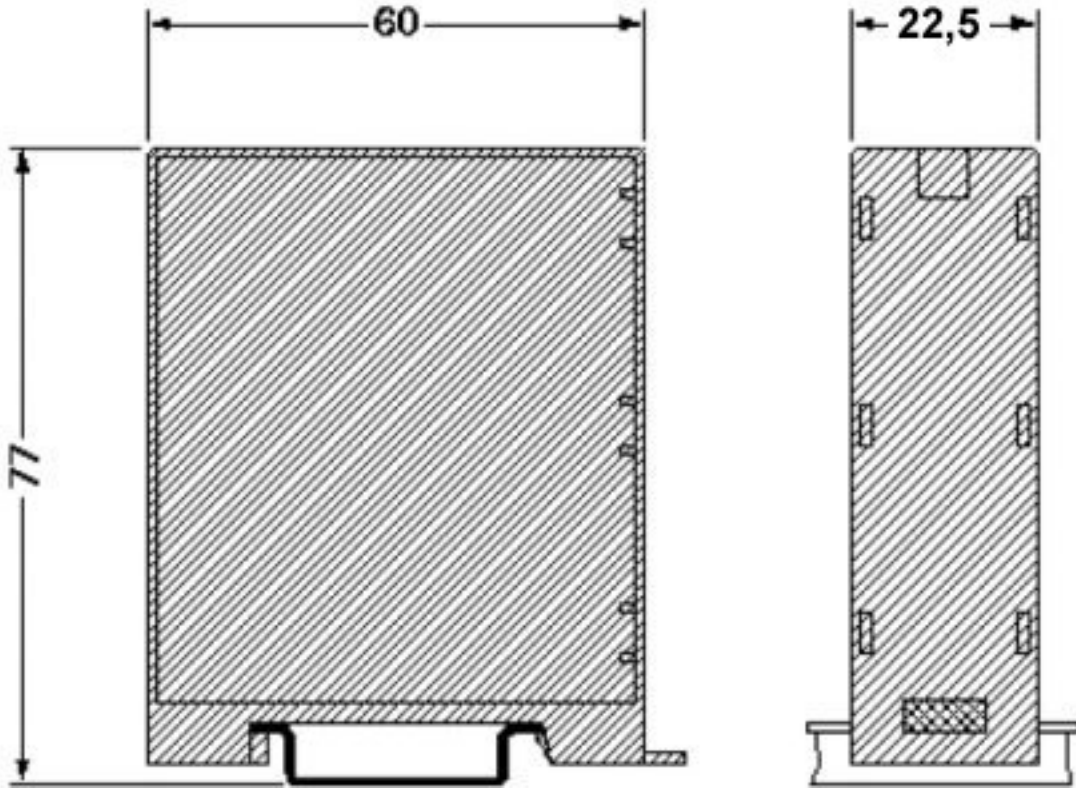
Dimensioned drawing



PCB 3 and 4 for EMUG 25 and EMUG 45 parallel to housing panel - side panel
A = PCB edge = 1.5 mm
B = Overall component area

Electronic housing - EMUG 22- BE - 2943479

Dimensioned drawing



Electronic housing - EMUG 22- BE - 2943479

Dimensioned drawing

