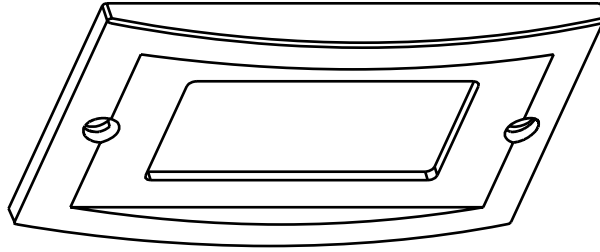
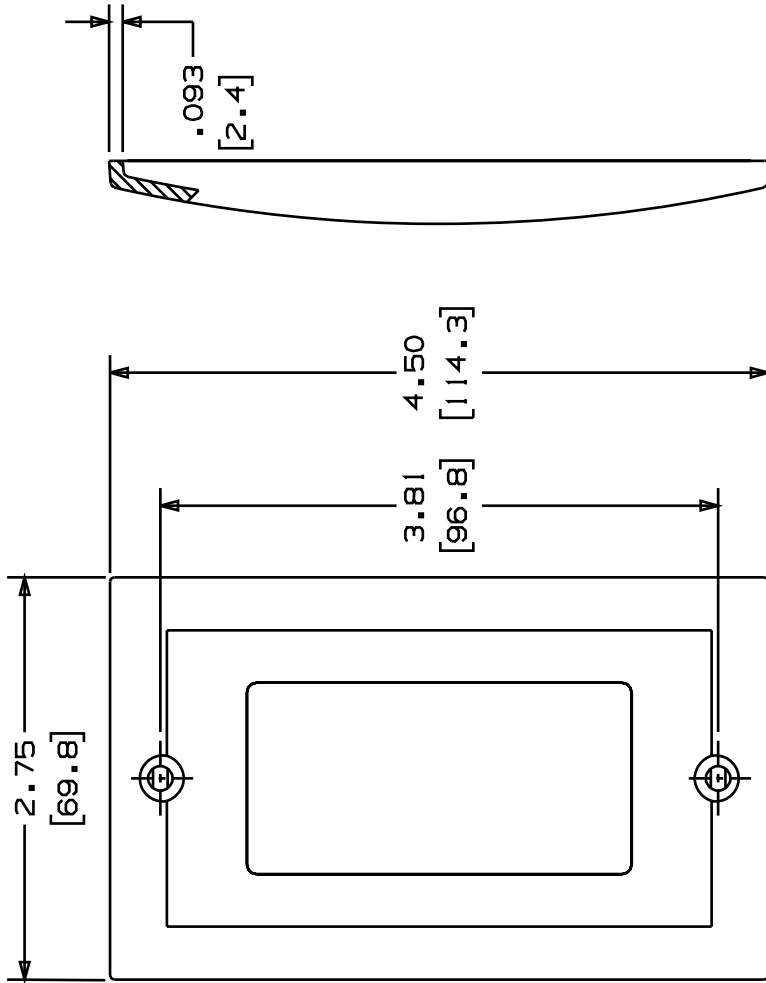


THIS COPY IS PROVIDED ON A RESTRICTED BASIS AND IS NOT TO BE USED IN ANY WAY DETRIMENTAL TO THE INTERESTS OF PANDUIT CORP.

PANDUIT P/N	WEIGHT
ECPG	.44 LB/10 PCS (200 G/10 PCS)

NOTES:

- SEE CURRENT CATALOG FOR ADDITIONAL PART NUMBER SUFFIXES TO INDICATE COLOR AND OR PACKAGE QUANTITY.
- ACCEPTS SINGLE NEMA STANDARD "GFCI" SWITCHES AND RECEPTACLES.
- TWO (2) #6 - 32 X 1/4 SCREWS ARE PROVIDED WITH FACEPLATE.
- ALL DIMENSIONS IN PARENTHESIS ARE IN METRIC.



CAD FILENAME/LAYERS

D35544BN_GFCI_C_00

PANDUIT

CORP. TINLEY PARK, ILLINOIS

EXECUTIVE SINGLE GANG GFCI FACEPLATE (ECPG)

CUSTOMER DRAWING

UNLESS OTHERWISE SPECIFIED, DIMENSIONAL TOLERANCES ARE:
(.XX) ±.03(1.8) ANGLES ±

UNLESS OTHERWISE SPECIFIED, ALL DIMENSIONS ARE GIVEN IN INCHES, THIRD ANGLE PROJECTION.

DRAWN BY JBA MAT'L: ABS

SCALE 3/4

DATE 7-23-96

ABS

DRAWING NO. 35544-13

DWG

SIZE A

REV	DATE	BY	CHK	DESCRIPTION	ECN	CHK	CUST	SUP
R	7-23-96	JBA		RELEASED TO PRODUCTION.	35544-13			