

1 P - 1 T

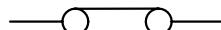
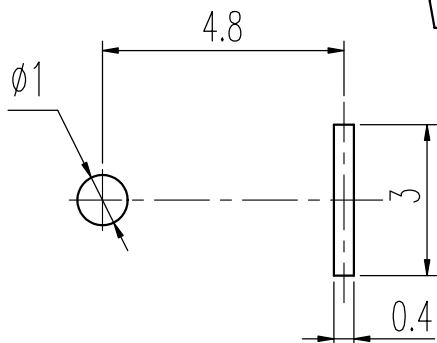


示意图 SCHEMATIC



安装孔 PIERCING PLAN

规格 Specifications

额定负荷 Ratings	Maximum: 5V DC 1mA Resistive Load Minimum: 1V DC 10mA Resistive Load
绝缘电阻 Insulation Resistance	DC 100V 60±5Sec. 1000MΩ Min.
抗电强度 Dielectric Voltage	AC 500V 60±5Sec.
负荷寿命 Operating Life With Load	100,000cycles次

序NO.	零件 PART	材料 MATERIAL	数量 QTY	备注 REMARKS	标号REV	内容 DESCRIPTION	签名SIGN.	日期 DATE
05	铆钉 RIVET	C2680R	1	Ni PLATED				
04	铜珠 BRASS BALL	BRASS	2	Au PLATED				
03	端子 TERMINAL	C2680R	1	Au PLATED				
02	胶盖 COVER	PA	1	BLACK C				
01	外壳 FRAME	C2680R	1	Ni PLATED				
					DWG NO. ITEM3053			

TOLERANCES UNLESS OTHERWISE SPEC.		TITLE	ROLLING BALL SENSOR		ITEM NO	RB-231X2		
UNDER 1	± 0.10	DRAWN	杨碟	2008-11-25	VERSION	A01	PAGE	1 OF 1
1 - 10	± 0.30	REVIEWED	王光云	2008-11-25	SCALE		UNIT	mm
OVER 10	± 0.50	APPROVED	程先金	2008-11-25	PROJECTION			

COMAX

高铭电子(惠州)有限公司
Comax Electronics(Huizhou)Co.,Ltd.