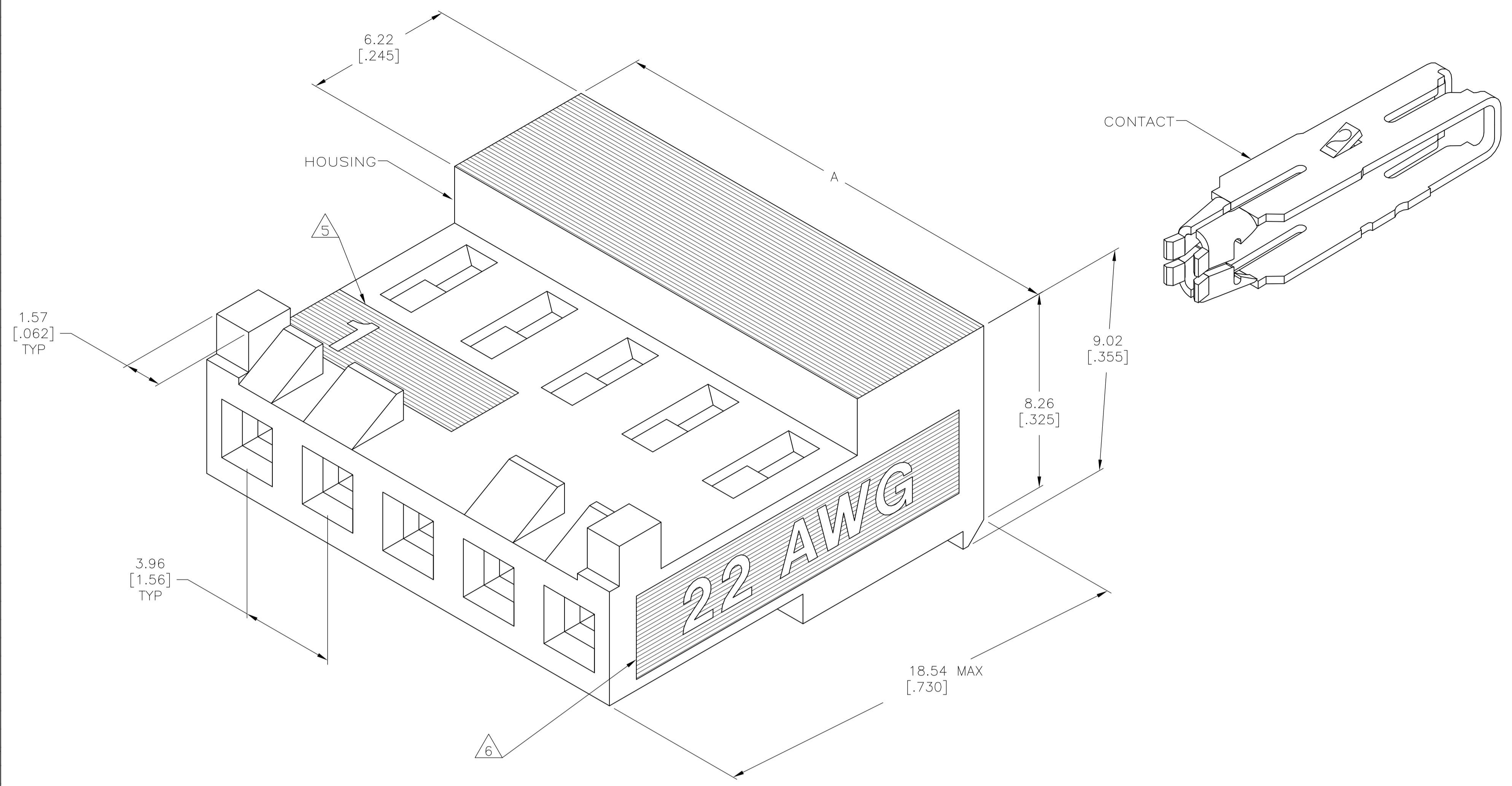
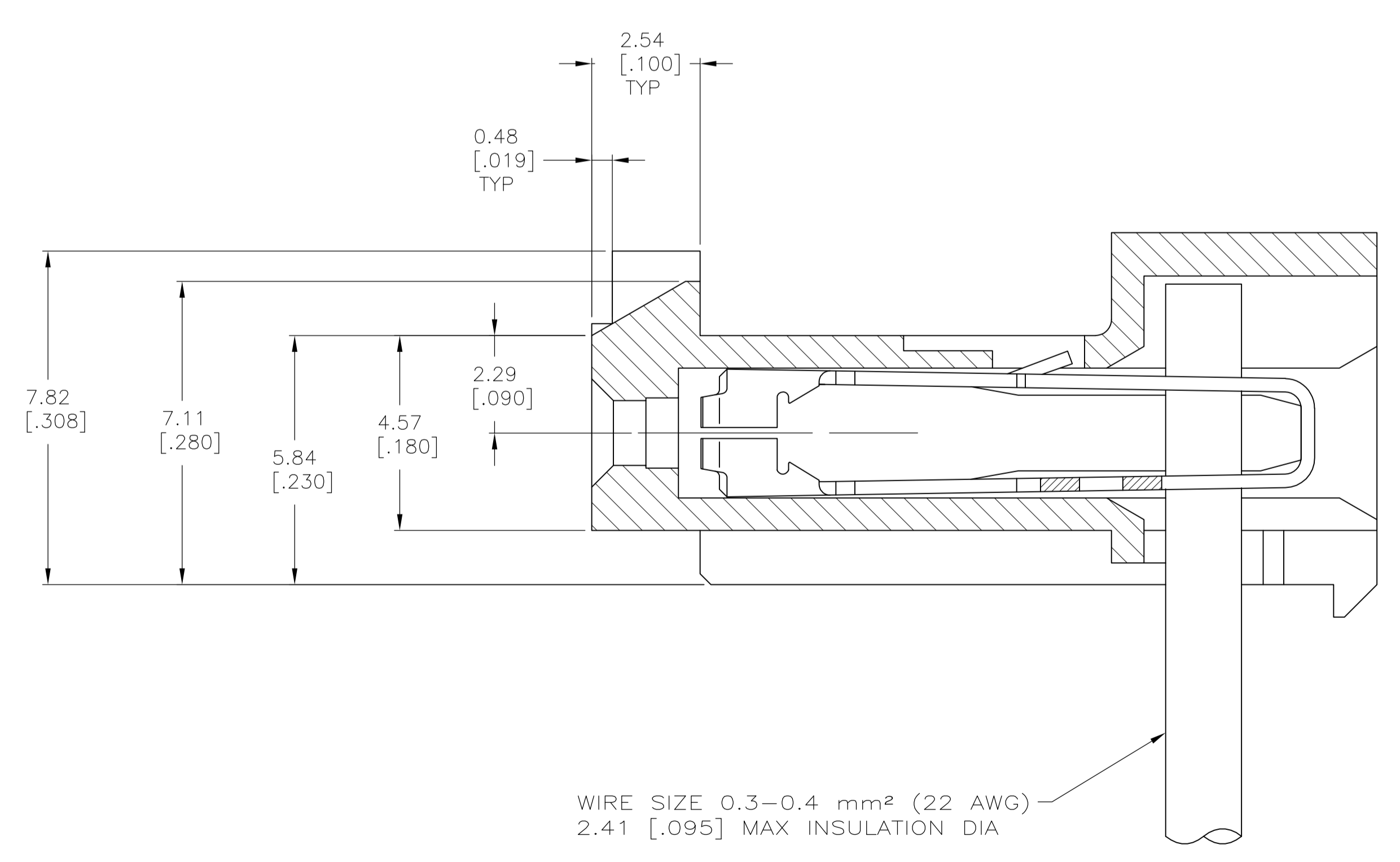


LOC		DIST		REVISIONS			
CM	54	REV	DATE	DESCRIPTION	DATE	BY	APPV
		D	22JUN07	ECO-07-012895		KW	DB
		D1	08OCT09	REVISED PER ECO-09-022908		KK	AEG



1. OPERATING TEMPERATURE: -55°C TO 105°C
2. MATERIAL: HOUSING, NYLON 6/6, UL 94V-0, BLACK CONTACT, 0.30 [.012] THICK COPPER ALLOY
3. FINISH: BRIGHT TIN-LEAD PLATE 0.00203-0.00508 [.000080-.000200"] THICK OR MATTE WHISKER MITIGATED TIN 0.00203 [.000080] MIN THICKNESS OVER NICKEL UNDERPLATE.
4. LUBRICATED WITH AMP ANTI-FRETTING LUBRICANT.
5. IDENTIFICATION NUMBER FOR FIRST CIRCUIT.
6. WIRE GAUGE IDENTIFICATION
7. DIMENSIONS IN BRACKETS ARE IN INCHES.
8. CONTACT MUST ACCEPT 1.14±0.03 [.045±.001] SQUARE POST AND REMAINED LOCKED IN POSITION.
9. OBSOLETE PARTS: OBSOLETE CIS STREAMLINING PER D.RENAUD/D.SINISI



TIN	47.55±0.30	[1.872±.012]	12	4-644383-2
TIN	43.59±0.30	[1.716±.012]	11	4-644383-1
TIN	39.62±0.30	[1.560±.012]	10	4-644383-0
TIN	35.66±0.30	[1.404±.012]	9	3-644383-9
TIN	31.70±0.30	[1.248±.012]	8	3-644383-8
TIN	27.74±0.30	[1.092±.012]	7	3-644383-7
TIN	23.77±0.30	[.936±.012]	6	3-644383-6
TIN	19.81±0.30	[.780±.012]	5	3-644383-5
TIN	15.85±0.15	[.624±.006]	4	3-644383-4
TIN	11.89±0.15	[.468±.006]	3	3-644383-3
TIN	7.92±0.15	[.312±.006]	2	3-644383-2
TIN-LEAD	47.55±0.30	[1.872±.012]	12	1-644383-2
9 SUPERCEDED TIN-LEAD	43.59±0.30	[1.716±.012]	11	1-644383-1
9 SUPERCEDED TIN-LEAD	39.62±0.30	[1.560±.012]	10	1-644383-0
9 SUPERCEDED TIN-LEAD	35.66±0.30	[1.404±.012]	9	644383-9
9 SUPERCEDED TIN-LEAD	31.70±0.30	[1.248±.012]	8	644383-8
TIN-LEAD	27.74±0.30	[1.092±.012]	7	644383-7
9 SUPERCEDED TIN-LEAD	23.77±0.30	[.936±.012]	6	644383-6
9 SUPERCEDED TIN-LEAD	19.81±0.30	[.780±.012]	5	644383-5
TIN-LEAD	15.85±0.15	[.624±.006]	4	644383-4
9 SUPERCEDED TIN-LEAD	11.89±0.15	[.468±.006]	3	644383-3
9 SUPERCEDED TIN-LEAD	7.92±0.15	[.312±.006]	2	644383-2

THIS DRAWING IS A CONTROLLED DOCUMENT.

DIMENSIONS: mm [INCHES]	TOLERANCES UNLESS OTHERWISE SPECIFIED:	0 PLC ± -	1 PLC ± -	2 PLC ± -	3 PLC ± 0.13 [.005]	4 PLC ± -	ANGLES ± -
-------------------------	--	-----------	-----------	-----------	---------------------	-----------	------------

MATERIAL: 2 FINISH: 3

APPROVED: C. MARTIN 23 APR 90	DESIGNED: R. SWING 23 APR 90	DATE: 23 APR 90	BY: G. MILLER 24 APR 90
NAME: MTA-156 CONNECTOR ASSEMBLY, QUAD, 22 AWG, WITH LOCKING RAMP, WITH POLARIZING TAB		SIZE: A1	SCALE: 10:1
DRAWING NO: 108-1219		REV: 1	SHEET: 1 OF 1
APPLICATION SPEC: 114-1048		REV: 1	SHEET: 1 OF 1
WEIGHT: -		REV: 1	SHEET: 1 OF 1
CUSTOMER DRAWING		REV: 1	SHEET: 1 OF 1

NO OF CKTS: A PART NO: 644383-2