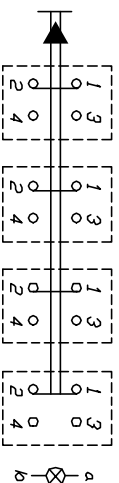
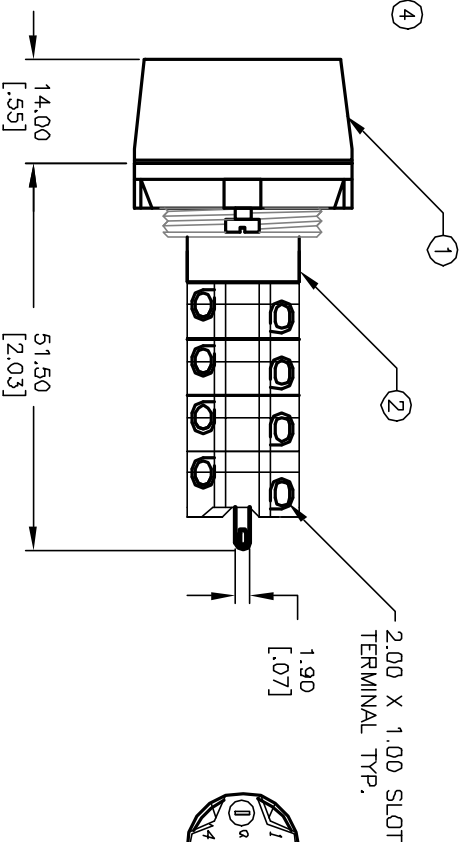
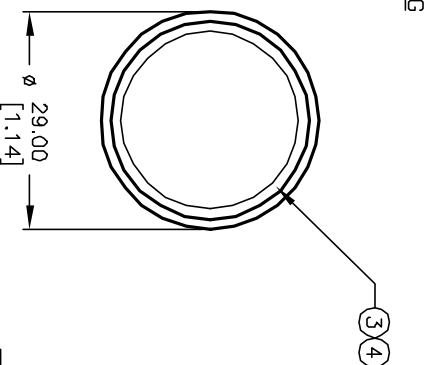


RECOMMENDED PANEL MOUNTING



APST CONTACT CONFIGURATION



NOTES:

1. ALL DIMENSIONS IN MM [INCH]
2. GENERAL TOLERANCE: X.X=±0.4 X.XX=±0.25
3. RATINGS: 5A@250V AC, 8A@125V AC
4. CONTACT MATERIAL: COPPER ALLOY W/Gold Plating
5. MECHANICAL LIFE: >100,000 Cycles
6. ELECTRICAL LIFE: >50,000 Cycles
7. INSULATION RESISTANCE: >1000 MΩ-Ω
8. OPERATING TEMP: -20°C to 55°C
9. LAMP VOLTAGE: 6V AC/DC 200mA (Incandescent)

PARTS LIST		
Item	Qty.	Dwg. No. Part No.
1	1	F051701 29mm RING FOR LA SERIES
2	1	F060618 LASEEU14
3	1	F050402 50-004-02
4	1	F060293 29mm WHT LENS

A	11197	RELEASED FOR PRODUCTION	1/23/03	CJB
REV.	ECN NO.	DESCRIPTION	DATE	CHKD

TITLE		SCALE		DATE		DR		DWG		REV	
LAS EE U14 A WHT		1:1		---		---		XF0481P		A	



THE INFORMATION CONTAINED IN THIS DOCUMENT IS PROPRIETARY TO E-SWITCH AND IS NOT TO BE COPIED OR TRANSMITTED