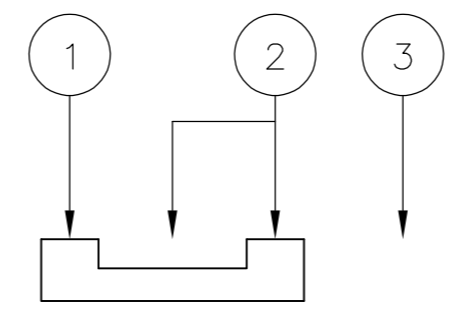
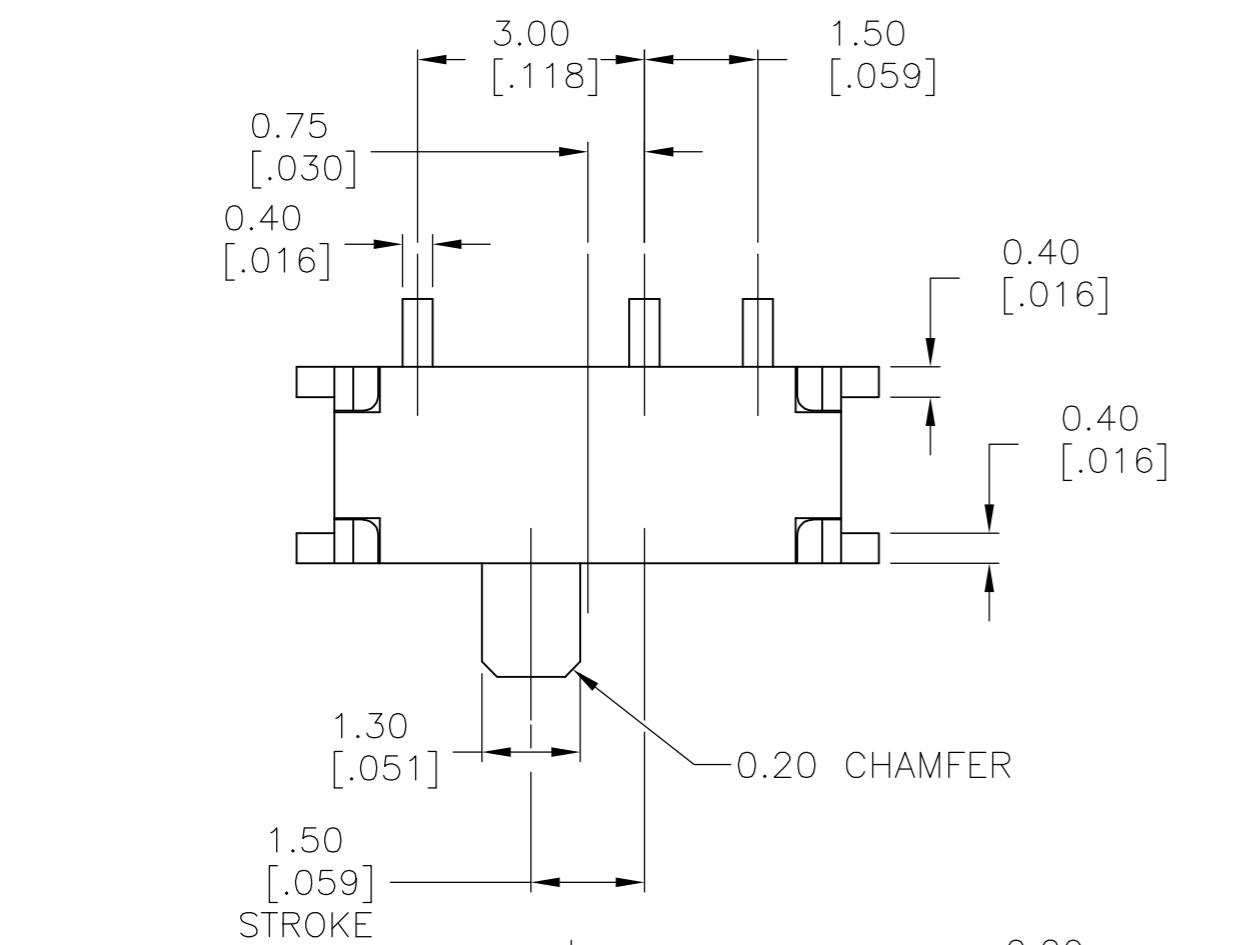
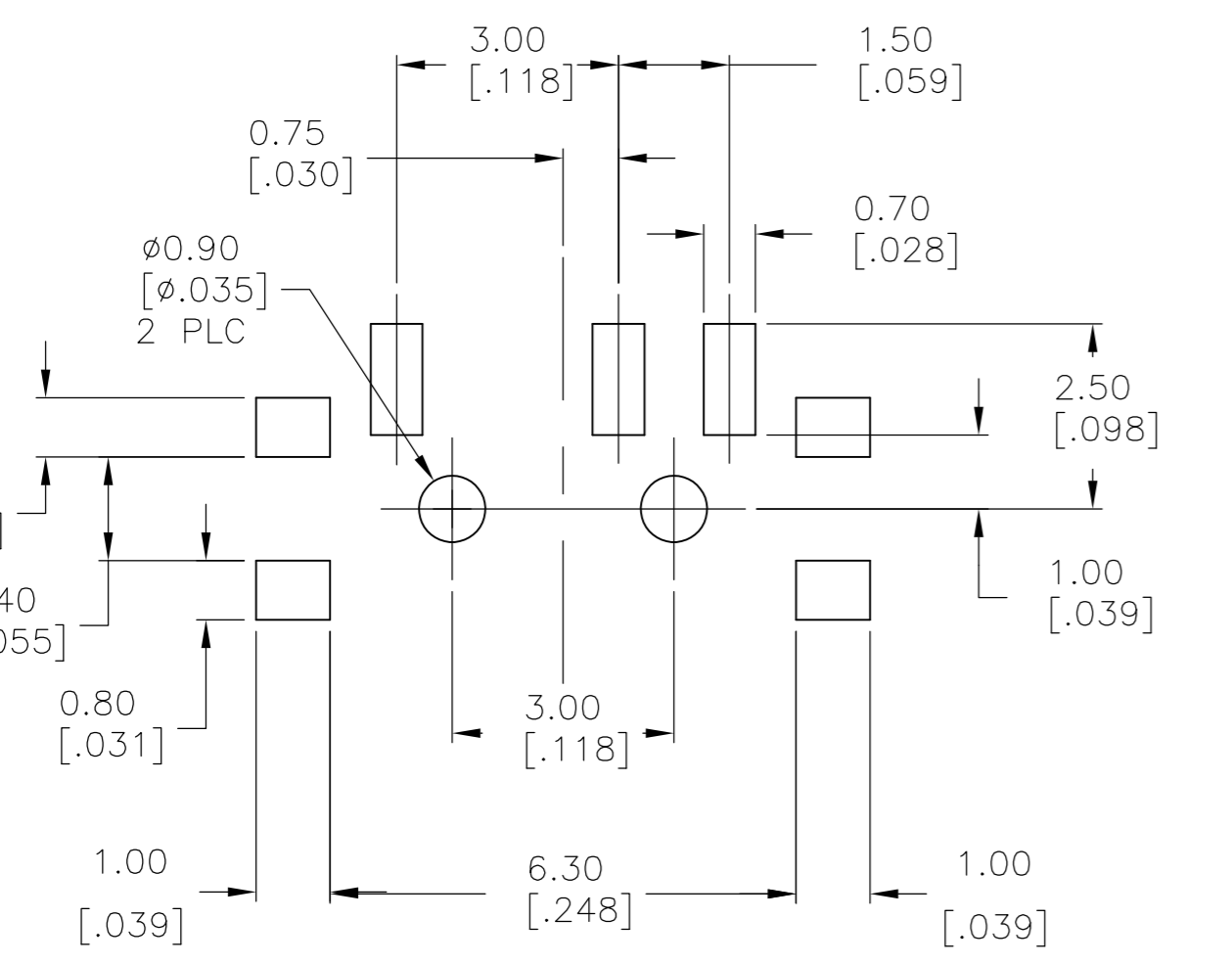
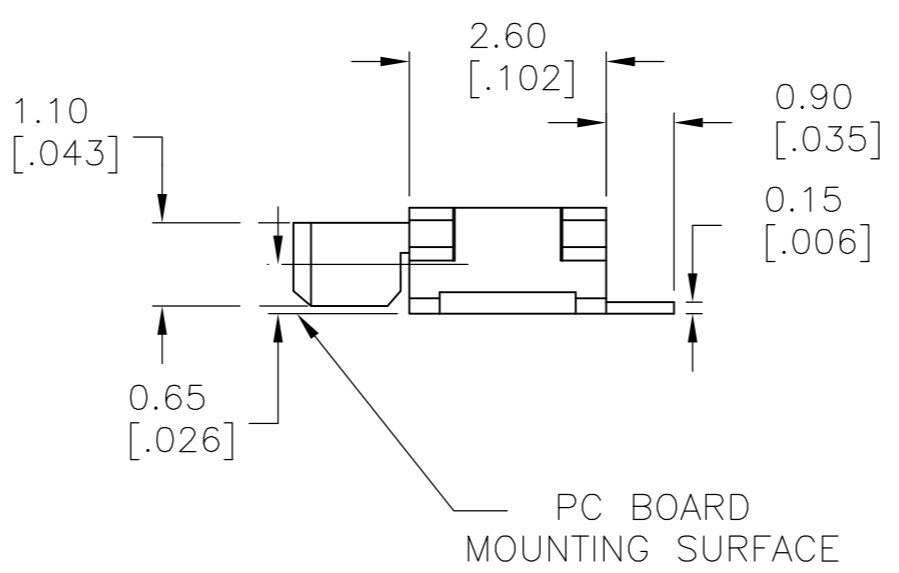
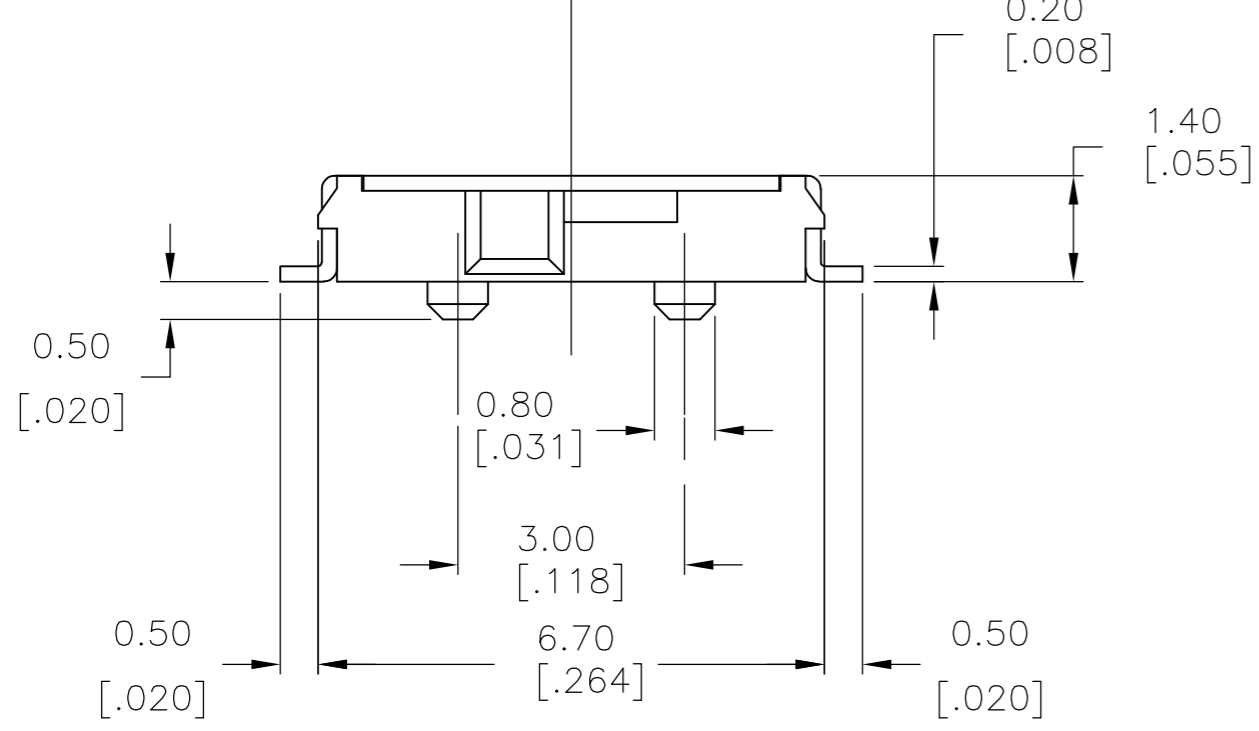


THIS DRAWING IS UNPUBLISHED. RELEASED FOR PUBLICATION
 © COPYRIGHT - By - ALL RIGHTS RESERVED.

LOC		DIST		REVISIONS			
P	LTR	DESCRIPTION		DATE	DWN	APVD	
AD	00	A1	REVISED PER ECO-11-004917	11MAR11	RK	HMR	



CIRCUIT DIAGRAM



SPECIFICATIONS:

MATERIALS:

CASE: LCP UL94V-0, BLACK
 COVER, NICKEL SILVER ALLOY-PLATE SILVER OVER NICKEL.
 ACTUATOR: NYLON 46 UL94V-0, BLACK
 MOVING CONTACT: COPPER ALLOY-PLATE SILVER OVER NICKEL
 FIXED CONTACT/TERMINAL, COPPER ALLOY-PLATE SILVER OVER NICKEL
 SPRING PLATE, STAINLESS STEEL-PLATE SILVER OVER NICKEL

ELECTRICAL:

CONTACT RATING: 300mA@4VDC.
 INITIAL CONTACT RESISTANCE, 70 MILLIOHMS MAX.
 FINAL CONTACT RESISTANCE, 100 MILLIOHMS MAX.
 INSULATION RESISTANCE: 100 MEGAOHMS MIN.
 DIELECTRIC STRENGTH: 100 VAC FOR 1 MINUTE.
 LIFE EXPECTANCY: 10,000 CYCLES.

MECHANICAL:

ACTUATION FORCE: 200±100g.
 ACTUATION TRAVEL, 1.50±0.15
 LIFE EXPECTANCY, 10,000 CYCLES.

ENVIRONMENTAL:

OPERATING TEMPERATURE, -20 TO +85 DEGREES C
 STORAGE TEMPERATURE, -40 TO +100 DEGREES C
 HUMIDITY, MIL-STD-202, METHOD 103, CONDITION B
 MOISTURE RESISTANCE, MIL-STD-202, METHOD 106
 THERMAL SHOCK, MIL-STD-202, METHOD 107, CONDITION A
 SOLDERABILITY, PER EIA-364-52, CLASS 2, CATEGORY 1,
 95%MINIMUM COVERAGE
 RESISTENCE TO SOLDER HEAT, 109-201, CONDITION B

NOTES:

- ALL MATERIALS AND FINISHES SHALL COMPLY WITH EU DIRECTIVE 2002/95/EC OF 27JAN2003(ROHS).
- TAPE AND REEL PACKAGING PER EIA-481, TAPE WIDTH 16mm, PITCH 8mm AND 3300 pcs PER REEL.

8MM	16MM	3,300	T&R	MLL1200STR	1437575-2
N/A	N/A	N/A	BULK	MLL1200S	1437575-1
Pitch	Tape Width	QTY per Reel	PKG	ALCO P/N	PART NO.

THIS DRAWING IS A CONTROLLED DOCUMENT.		DWN	R BROWN	04DEC01	 TE Connectivity SLIDE SWITCH SPDT,R/A LOW PROFILE SMT				
DIMENSIONS: mm [INCHES]		CHK	H WYNKOOP	04DEC01					
TOLERANCES UNLESS OTHERWISE SPECIFIED:		APVD	H WYNKOOP	04DEC01					
0 PLC ± - 1 PLC ± - 2 PLC ± 0.13[.005] 3 PLC ± - 4 PLC ± - ANGLES ± -		PRODUCT SPEC	-						
MATERIAL	FINISH	WEIGHT	-		SIZE	CAGE CODE	DRAWING NO	RESTRICTED TO	
-	-	-	A2	00779	C=1437575-1	-	-		
CUSTOMER DRAWING				SCALE	10:1	SHEET	1 OF 1	REV	A1