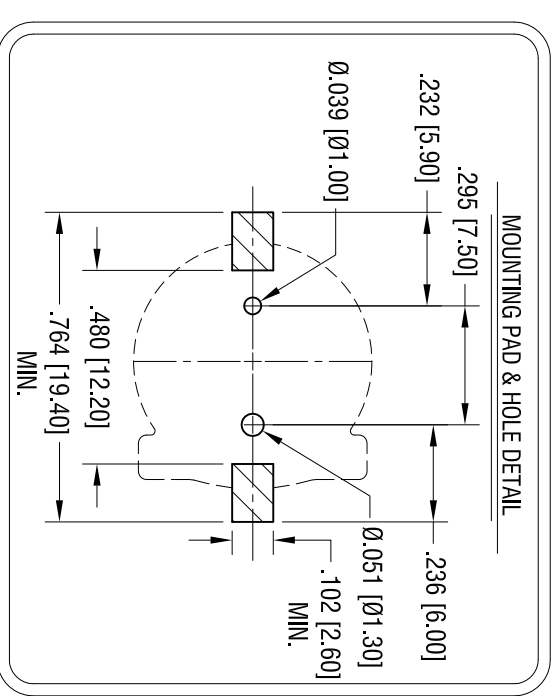
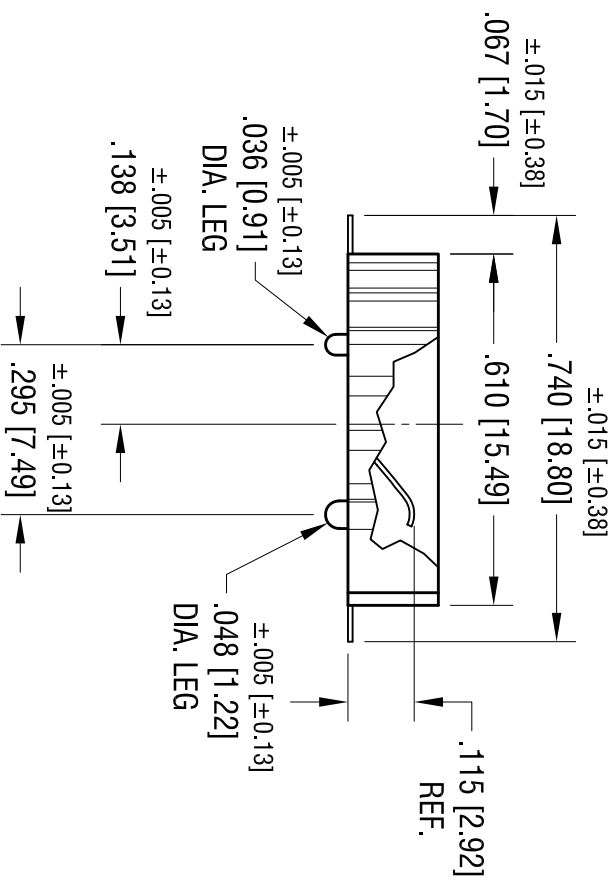
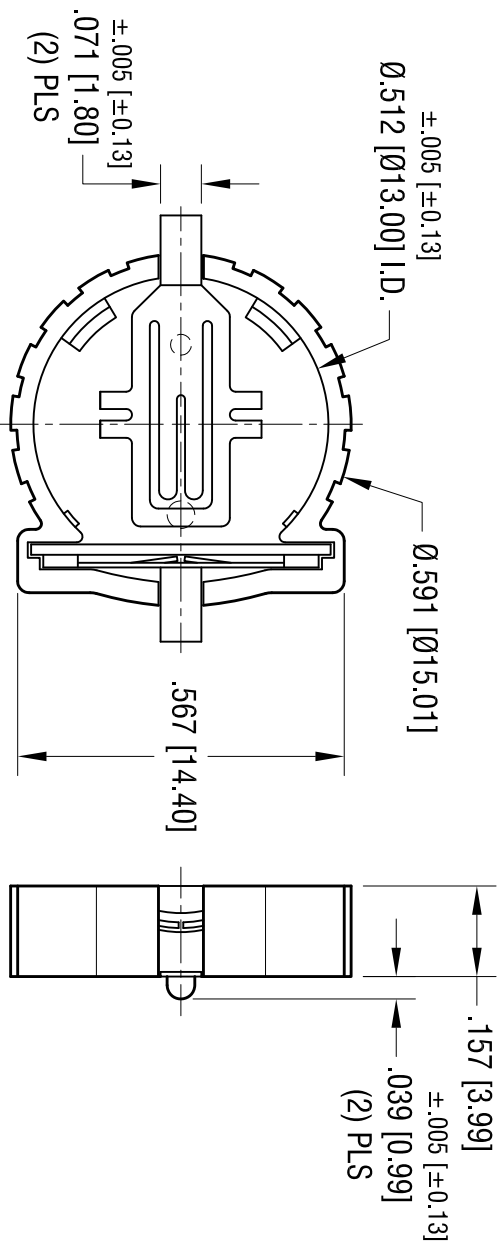


DATE	DESCRIPTION	REV.
12.08.08	CHANGE AS PER ECN 08-188	A
3.09.16	CHANGE AS PER ECN 16-037 UPDATE MTC DETAIL	B



ACTUAL SIZE

KEYSTONE ELECTRONICS CORP.
 www.keystec.com • ASTORIA, N.Y. 11105-2017 • Tel (718) 956-8900

PART NAME
 1220 BATTERY HOLDER, SMT

MATERIAL
 AS NOTED

FINISH
 AS NOTED

THIS DOCUMENT IS THE PROPERTY OF
 KEYSTONE ELECTRONICS CORP. AND
 SHALL NOT BE REPRODUCED, DISTRIBUTED
 OR USED AS A BASIS FOR MANUFACTURE
 WITHOUT PRIOR WRITTEN PERMISSION
 FROM KEYSTONE ELECTRONICS CORP.

TOLERANCES	INCH	[MM]	CODE	DWG NO.
DECIMAL	± .010	[± 0.25]	C	
ANGULAR	± 1°			
UNLESS OTHERWISE SPECIFIED				

DRN BY
 BOONE

DATE
 9.15.05

App'd
 LN

SCALE
 3X

1056

- NOTES:
1. BASE:
 MAT'L - GLASS FILLED PPS UL 94V-0
 2. CONTACTS:
 MAT'L - .008 [0.20] THK PHOSPHOR BRONZE
 FINISH - GOLD FLASH , OVER NICKEL PLATE