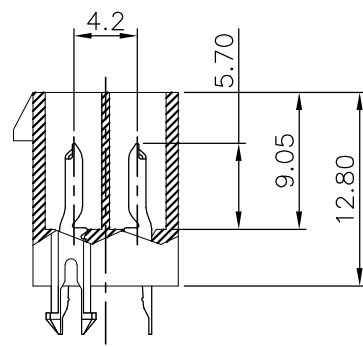
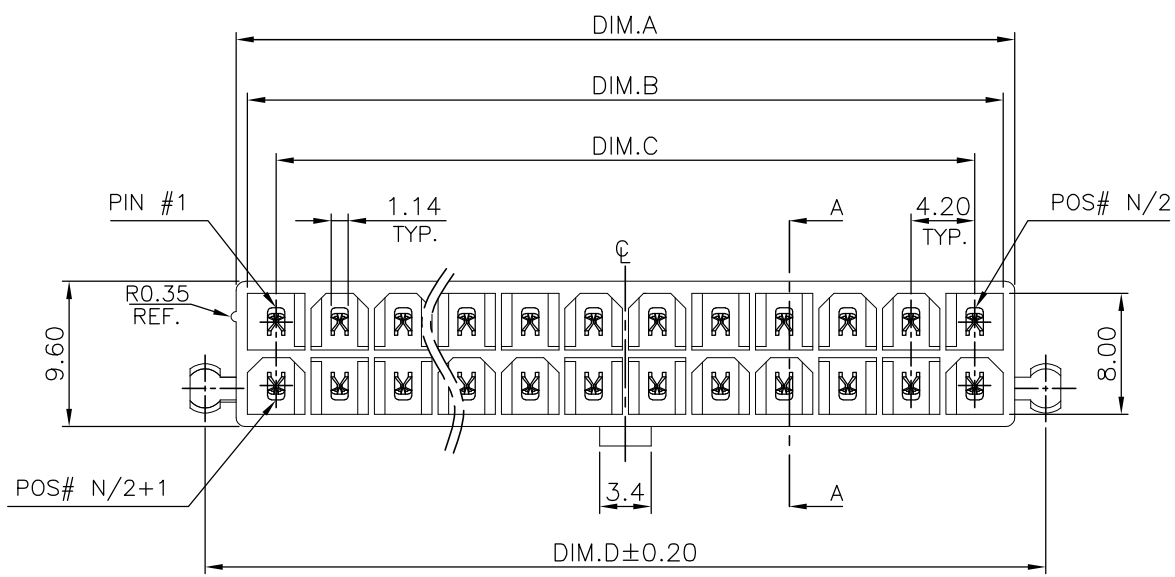


THIS DRAWING IS UNPUBLISHED. RELEASED FOR PUBLICATION  
 © COPYRIGHT - BY - ALL RIGHTS RESERVED.

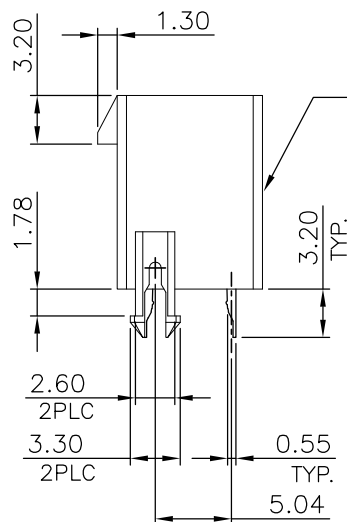
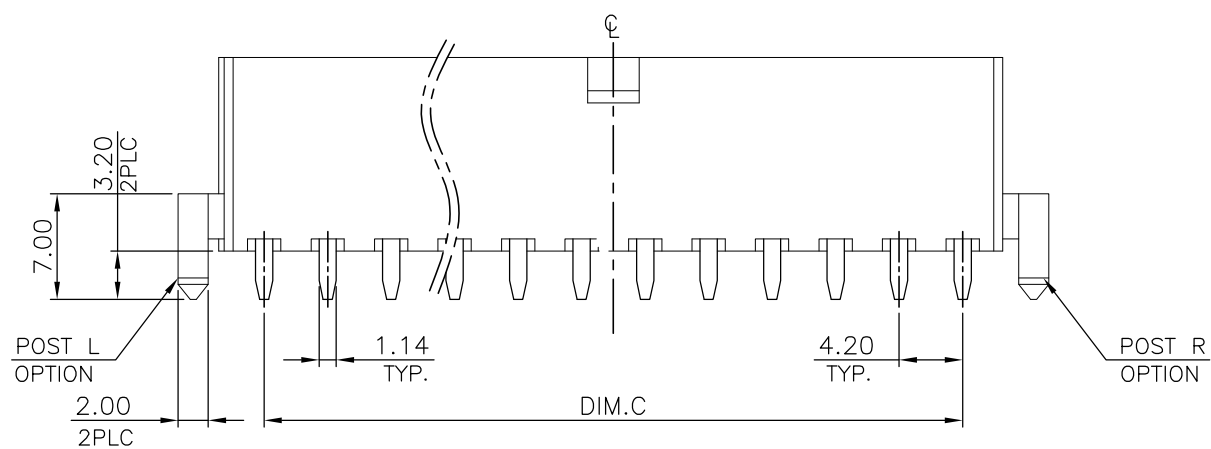
LOC	DIST	REVISIONS				
P	LTR	DESCRIPTION	DATE	DWN	APVD	
DW	-	E1	REVISED PER ECO-11-005301	07MAR11	RK HMR	



SECTION A-A

NOTE:

- MATERIAL:  
HOUSING: PA46, UL 94V-0, COLOR: NATURAL.  
CONTACTS: BRASS.
- FINISH:  
CONTACTS: 3.05µm [120µ"] MIN. MATTE-TIN PLATING ALL OVER  
1.27µm [50µ"]. NICKEL UNDERPLATED ALL OVER.
- WAVE SOLDER CAPABLE TO 265°C PER TEST SPEC.  
109-202, CONDITION B.
- WEIGHT: SEE TABLE



TE LOGO & DATE CODE

WEIGHT:

W/POST	W/R OR L POST	W/O POST	ITEM
4.55g	4.52g	3.95g	20P
5.16g	5.13g	5.10g	24P

DIM.D	DIM.C	DIM.B	DIM.A	POS.NO.
47.20	37.8	41.60	43.1	20P
55.60	46.2	50.00	51.5	24P

PKG.	LACK POS.#	POST L	POST R	PART NUMBER	POS.NO.
OBSOLETE	TRAY	W/	W/O	3-	-4
		W/O	W/	3-	-3
		W/O	W/O	3-	-2
OBSOLETE	TRAY	W/	W/	3-1775034-1	20P
		W/O	W/O	2-	-4
		W/O	W/	2-	-3
OBSOLETE	TRAY	W/	W/O	2-	-2
		W/	W/	2-1775034-1	20P
		W/	W/O	1-	-5
OBSOLETE	TRAY	W/	W/O	1-	-4
		W/O	W/	1-	-3
		W/O	W/O	1-	-2
OBSOLETE	TRAY	W/	W/	1-	-1
		W/	W/O	1-	-5
		W/O	W/O	1-	-4
OBSOLETE	TRAY	W/	W/	1-	-3
		W/O	W/O	1-	-2
		W/	W/	1775034-1	24P

THIS DRAWING IS A CONTROLLED DOCUMENT.		DWN	B. HSING	30JUL2009	 TE Connectivity	NAME		ATX POWER CONN.,V/T, PLUG,4.2 PITCH,DIP TYPE						
DIMENSIONS: MM		CHK	S. CHIEN	30JUL2009		PRODUCT SPEC		108-57394						
TOLERANCES UNLESS OTHERWISE SPECIFIED:		APVD	W. KODAMA	30JUL2009		APPLICATION SPEC		501-57426						
0 PLC ± - 1 PLC ± 0.30 2 PLC ± 0.20 3 PLC ± 0.15 4 PLC ± - ANGLES ± 3°		MATERIAL		FINISH		SIZE	CAGE CODE	DRAWING NO	RESTRICTED TO					
SEE NOTE		SEE NOTE		SEE NOTE		WEIGHT	SEE TABLE	A300779	C=1775034	SCALE	SHEET	1 OF 3	REV	E1
CUSTOMER DRAWING						SCALE		SHEET		1 OF 3		REV		E1

THIS DRAWING IS UNPUBLISHED.

RELEASED FOR PUBLICATION

---

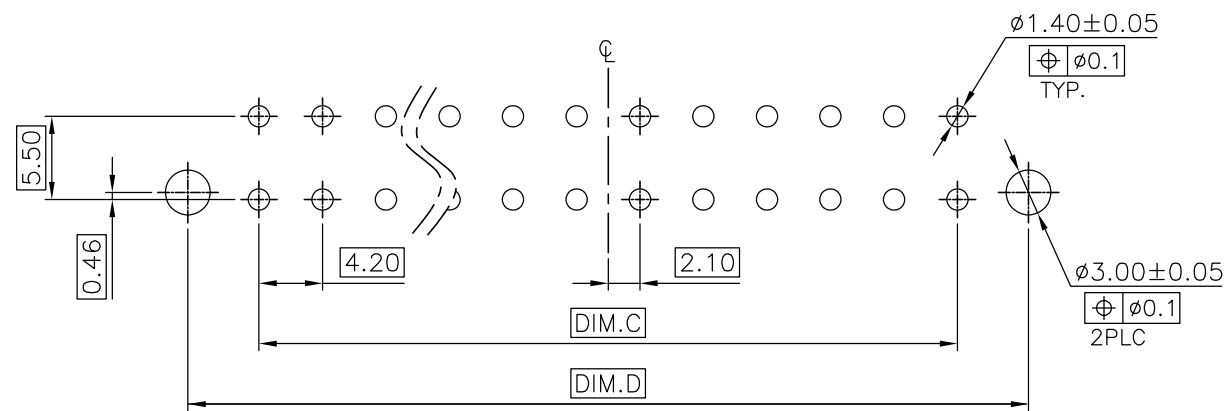
© COPYRIGHT - BY -

ALL RIGHTS RESERVED.

LOC DW  
DIST

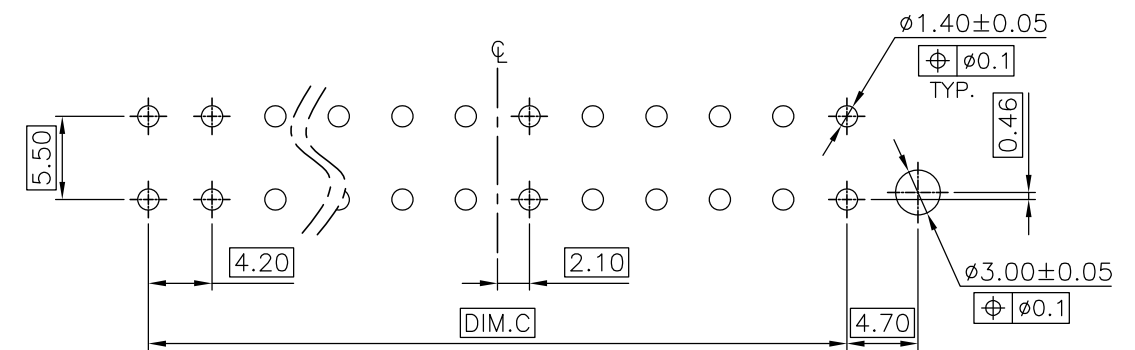
REVISIONS

P	LTR	DESCRIPTION	DATE	DWN	APVD
-	-	SEE SHEET 1.	-	-	-



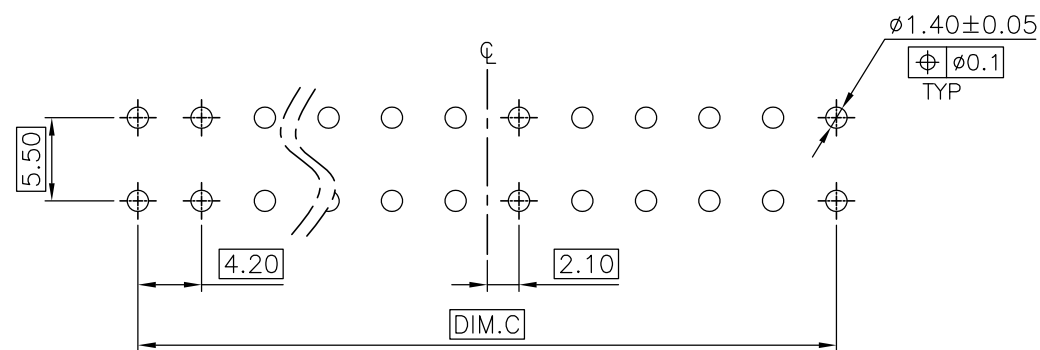
RECOMMENDED PCB LAYOUT

TOLERANCE: ±0.05  
FOR P/N: X-1775034-1



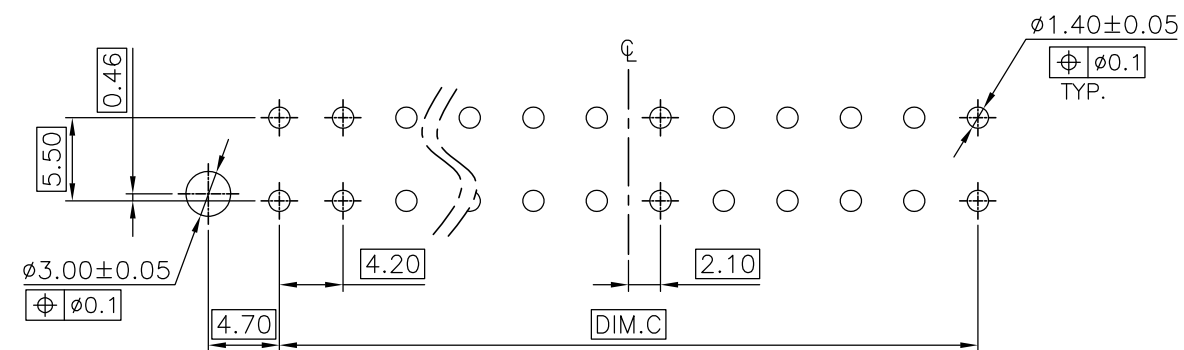
RECOMMENDED PCB LAYOUT

TOLERANCE: ±0.05  
FOR P/N: X-1775034-3



RECOMMENDED PCB LAYOUT

TOLERANCE: ±0.05  
FOR P/N: X-1775034-2



RECOMMENDED PCB LAYOUT

TOLERANCE: ±0.05  
FOR P/N: X-1775034-4

THIS DRAWING IS A CONTROLLED DOCUMENT.		DWN			
DIMENSIONS: MM		CHK			
		APVD		NAME	
TOLERANCES UNLESS OTHERWISE SPECIFIED: 0 PLC ± - 1 PLC ± - 2 PLC ± - 3 PLC ± - 4 PLC ± - ANGLES ± - MATERIAL - FINISH -		PRODUCT SPEC		ATX POWER CONN.,V/T, PLUG,4.2 PITCH,DIP TYPE	
		APPLICATION SPEC		SIZE	CAGE CODE
		WEIGHT		A3	00779
		CUSTOMER DRAWING		DRAWING NO	RESTRICTED TO
				C=1775034	-
		SCALE		SHEET	REV
		-		2 OF 3	E1

4

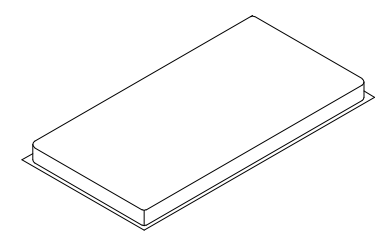
3

2

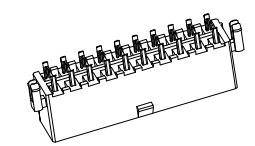
1

THIS DRAWING IS UNPUBLISHED.      RELEASED FOR PUBLICATION      - . - .  
 © COPYRIGHT - BY -      ALL RIGHTS RESERVED.

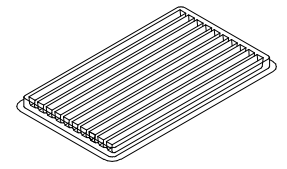
LOC		DIST		REVISIONS				
P	LTR	DESCRIPTION			DATE	DWN	APVD	
	-	SEE SHEET 1.			-	-	-	



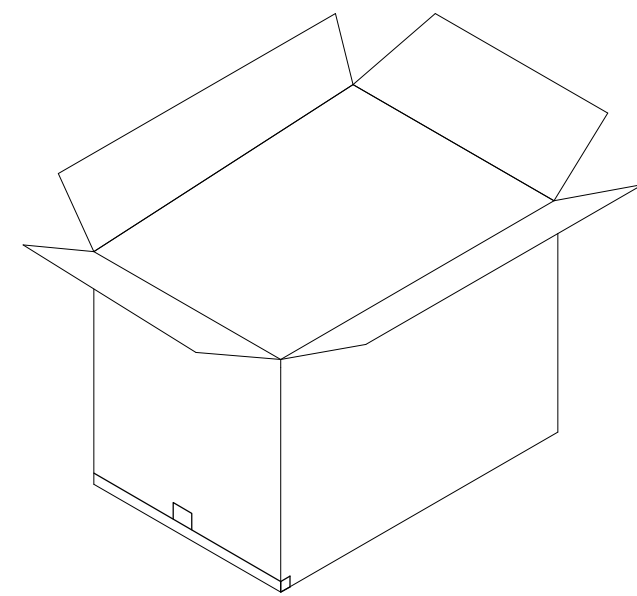
TRAY COVER



ATX CONNECTOR



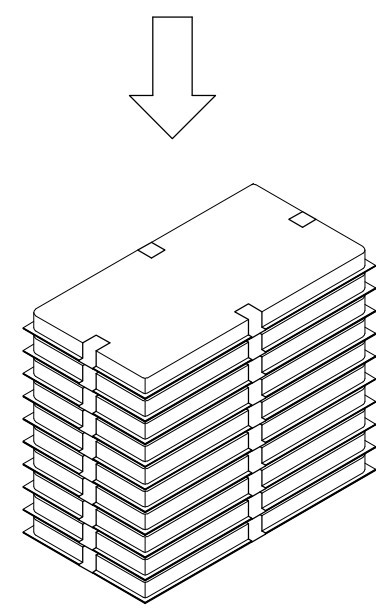
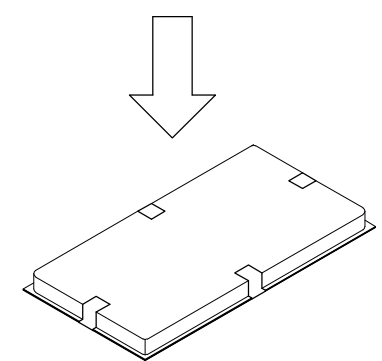
TRAY



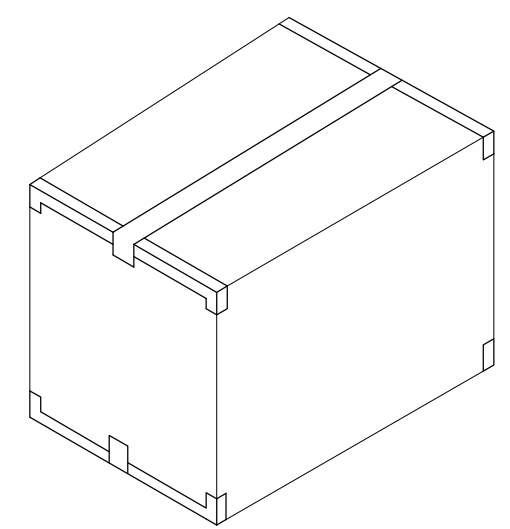
BOX

NOTES:

- 1. TRAY : PVC, SIZE: 330mm(L)X 265mm(W)X 22mm(H).
- 2. BOX : CORRUGATED, SIZE: 350mm(L)X 279mm(W)X 195mm(H).
- 3. QUANTITY: SEE TABLE.



10 TRAY



5.68	4.08	80	10	800	24	w/o	w/o
5.55	3.95	100	10	1000	20		
5.70	4.10	80	10	800	24	w/	w/o
6.12	4.52	100	10	1000	20		
5.70	4.10	80	10	800	24	w/o	w/
6.12	4.52	100	10	1000	20		
5.73	4.13	80	10	800	24	w/	w/
6.15	4.55	100	10	1000	20		
GROSS WEIGHT	NET WEIGHT	PCS /TRAY	TRAYS /BOX	PCS /BOX	POS.	LEFT BOARDLOCK	RIGHT BOARDLOCK

THIS DRAWING IS A CONTROLLED DOCUMENT.		DWN	TE Connectivity				
DIMENSIONS: MM		CHK					
		APVD	NAME				
TOLERANCES UNLESS OTHERWISE SPECIFIED: 0 PLC ± - 1 PLC ± - 2 PLC ± - 3 PLC ± - 4 PLC ± - ANGLES ± - MATERIAL FINISH		PRODUCT SPEC	ATX POWER CONN.,V/T, PLUG,4.2 PITCH,DIP TYPE				
		APPLICATION SPEC	SIZE	CAGE CODE	DRAWING NO	RESTRICTED TO	
		WEIGHT	A3	00779	C=1775034		
CUSTOMER DRAWING			SCALE	SHEET	3 OF 3	REV E1	