

LOC	DIST	REVISIONS					
GP	00	P	LTN	DESCRIPTION	DATE	OWN	APVD
		A		RELEASED PER ECO-08-025381	15OCT2008	RG	PD
		B		REV PER ECO-10-004250	03MAR2010	RG	MS
		B1		REV PER ECO-15-015062	04FEB2016	SZ	SZ
		B2		ECO-16-005324	06APR2016	SZ	SZ

1 RECOMMENDED PRINTED CIRCUIT BOARD HOLE DIMENSIONS FOR COMPLIANT TAILS:  
 FINISHED HOLE TIN PLATING:  $\varnothing 0.56 \pm 0.05$   
 FINISHED HOLE BARE COPPER:  $\varnothing 0.575 \pm 0.05$   
 DRILLED HOLE:  $\varnothing 0.65 \pm 0.02$   
 COPPER PLATING THICKNESS (MAX HARDNESS 150 KNOOP): 0.025-0.050  
 TIN PLATING THICKNESS (MIN): 0.0038-0.0124  
 ORGANIC SOLDERABILITY PRESERVATIVE (OSP): USE WITH BARE COPPER.

2 PC BOARD THICKNESS 1.6mm MINIMUM.  
 3 DAUGHTERCARD PC BOARD THICKNESS IS  $1.6\text{mm} \pm 10\%$ . DIMENSION FROM PCB EDGE TO PLATED PAD SAND OPTIONAL PCB EDGE CHAMFERS ARE BASED ON 2 OZ. MAX. THICK COPPER LAYERS TYPICAL FOR POWER APPLICATIONS AND 1mm PCB PROFILE CHAMFER TO PREVENT COPPER EDGE FROM ENGAGING BEFORE PCB SUBSTRATE MATERIAL.

4 26.90mm TO  $\varnothing$  OF ADJACENT CROWN EDGE CONNECTOR.  
 5 MATERIAL: HOUSING AND OVERMOLDS: LCP, BLACK, UL94V-0 RATED  
 CONTACTS: COPPER ALLOY.

6 FINISH: MATING AREA- 0.76 $\mu\text{m}$  MIN. GOLD OVER 3.81 MICROMETER MIN. NICKEL PLATE.  
 0.64 $\mu\text{m}$  MIN. GOLD ON ADJACENT FLAT SIDES IN MATING AREA.  
 COMPLIANT PIN AREA- 1.27 $\mu\text{m}$  MIN. MATTE TIN PLATE OVER 1.27 $\mu\text{m}$  MIN.  
 NICKEL PLATE. MATING AREA AND ADJACENT FLAT SIDES LUBRICATED  
 WITH BELLCORE APPROVED LUBRICANT. TECHNICAL REFERENCE  
 GR-1217-CORE ISSUE 1, NOVEMBER 1995.

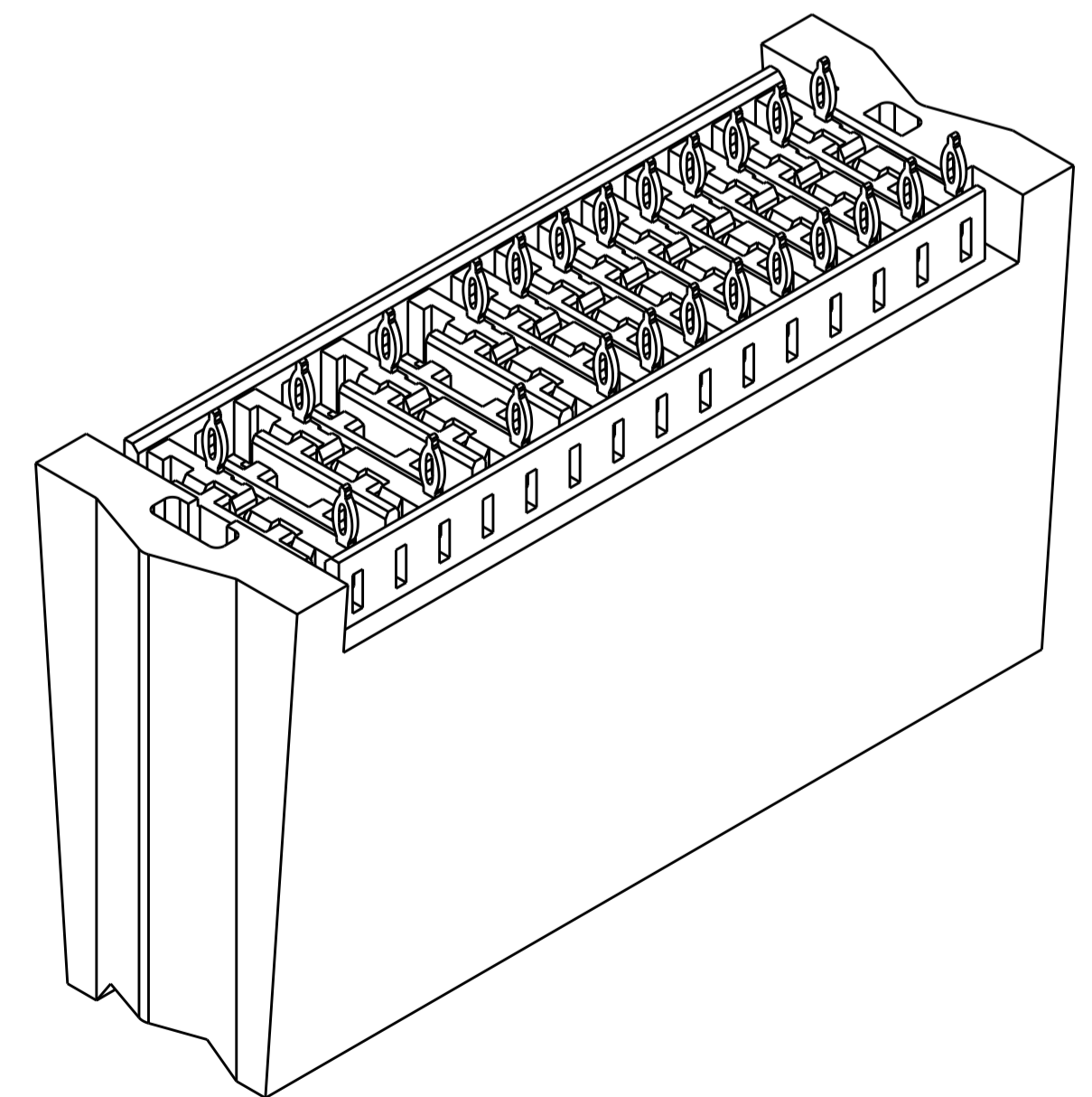
7 FINISH: MATING AREA- 1.27 $\mu\text{m}$  MIN. GOLD OVER 3.81 $\mu\text{m}$  MIN. NICKEL PLATE  
 0.64 $\mu\text{m}$  MIN. GOLD ON ADJACENT FLAT SIDES IN MATING AREA.  
 COMPLIANT PIN AREA- 1.27 $\mu\text{m}$  MIN. MATTE TIN PLATE OVER 1.27 $\mu\text{m}$  MIN.  
 NICKEL PLATE. MATING AREA AND ADJACENT FLAT SIDES LUBRICATED  
 WITH BELLCORE APPROVED LUBRICANT. TECHNICAL REFERENCE  
 GR-1217-CORE ISSUE 1, NOVEMBER 1995.

8 FINISH: MATING AREA- 0.76 $\mu\text{m}$  MIN. GOLD OVER 1.27 $\mu\text{m}$  MIN. NICKEL PLATE.  
 0.076 $\mu\text{m}$  MIN. GOLD ON ADJACENT FLAT SIDES IN MATING AREA.  
 COMPLIANT PIN AREA- 1.27 $\mu\text{m}$  MIN. MATTE TIN PLATE OVER 1.27 $\mu\text{m}$  MIN.  
 NICKEL PLATE. MATING AREA AND ADJACENT FLAT SIDES LUBRICATED  
 WITH BELLCORE APPROVED LUBRICANT. TECHNICAL REFERENCE GR-1217-CORE  
 ISSUE 1, NOVEMBER 1995.

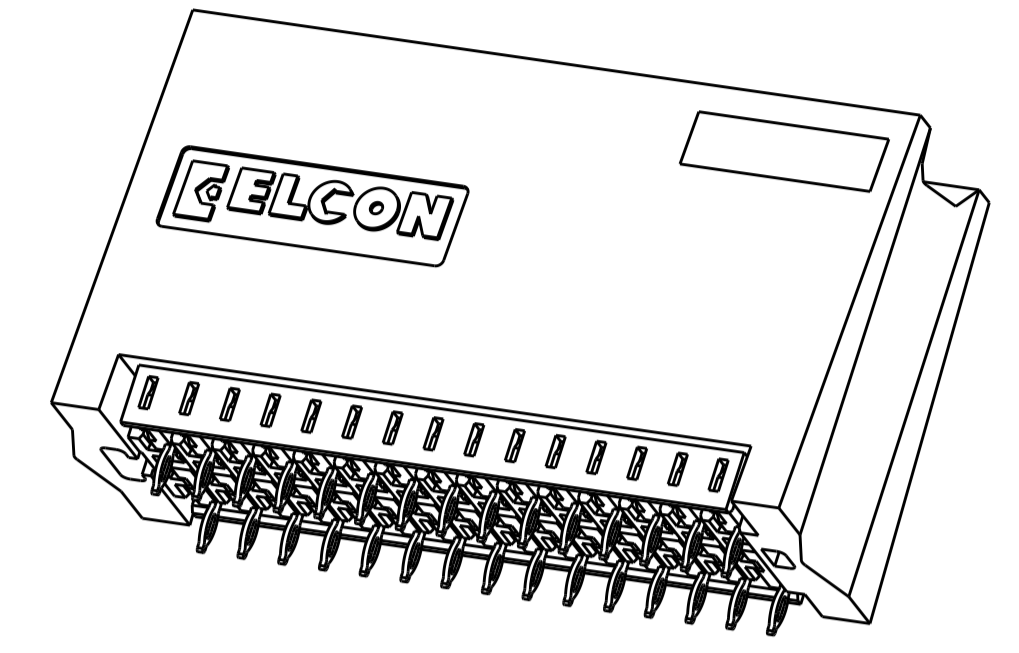
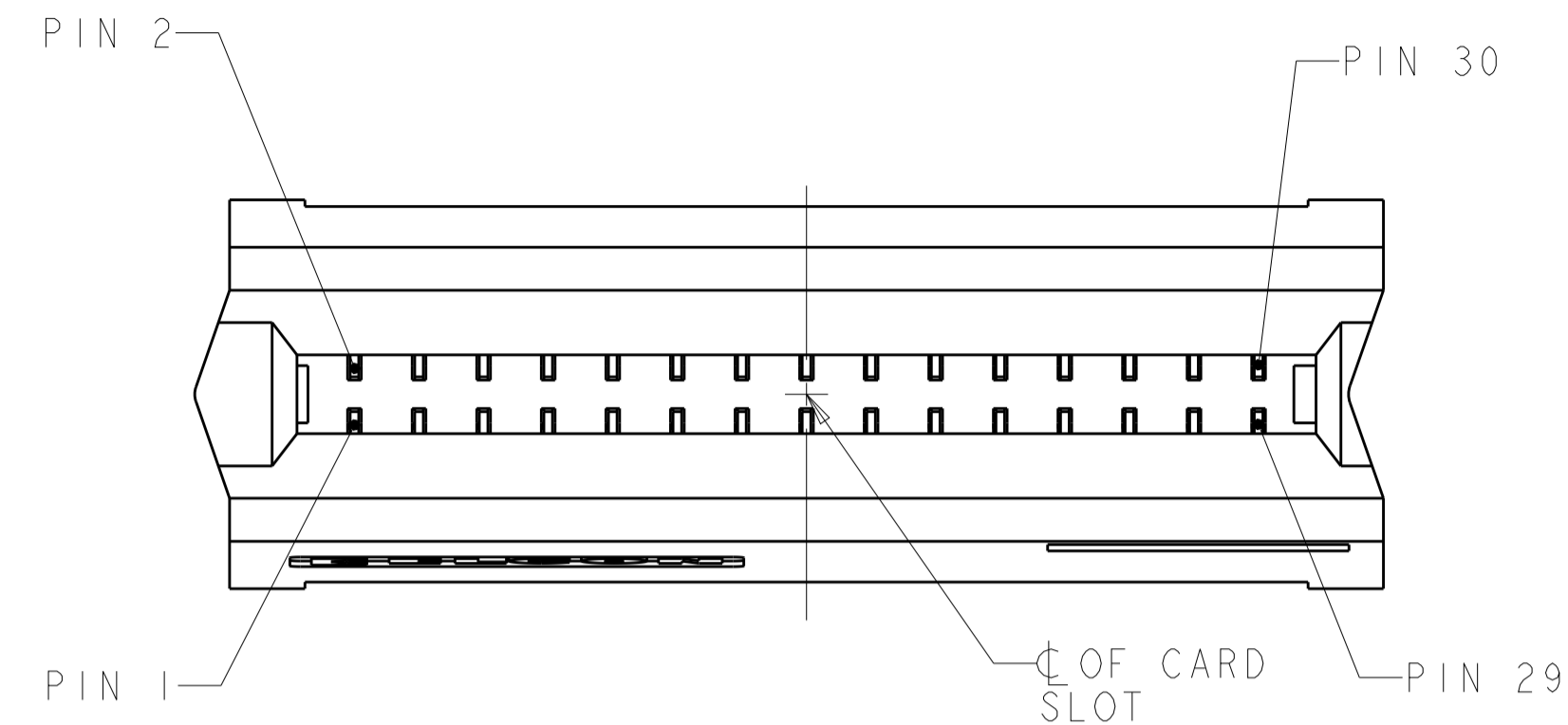
9 450 LBS MAXIMUM FORCE ALLOWED ON TOP OF HOUSING DURING APPLICATION TO PCB TO PREVENT HOUSING DAMAGE.

10 FINISH: MATING AREA- 2.54 $\mu\text{m}$  MIN. GOLD OVER 3.81 $\mu\text{m}$  MIN. NICKEL PLATE  
 0.64 $\mu\text{m}$  MIN. GOLD ON ADJACENT FLAT SIDES IN MATING AREA.  
 COMPLIANT PIN AREA- 1.27 $\mu\text{m}$  MIN. MATTE TIN PLATE OVER 1.27 $\mu\text{m}$  MIN.  
 NICKEL PLATE. MATING AREA AND ADJACENT FLAT SIDES LUBRICATED  
 WITH BELLCORE APPROVED LUBRICANT. TECHNICAL REFERENCE  
 GR-1217-CORE ISSUE 1, NOVEMBER 1995.

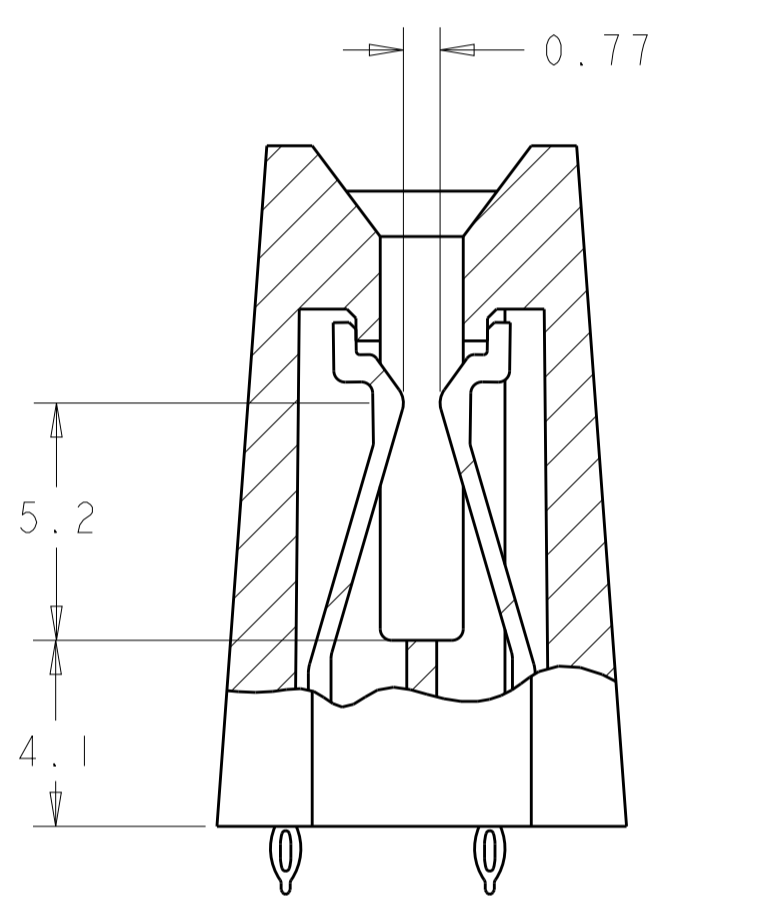
11 PREPRODUCTION, FASR REQUIRED  
 12 PART NUMBER WITH PIN OMITTED, SEE TABLE FOR LOCATION



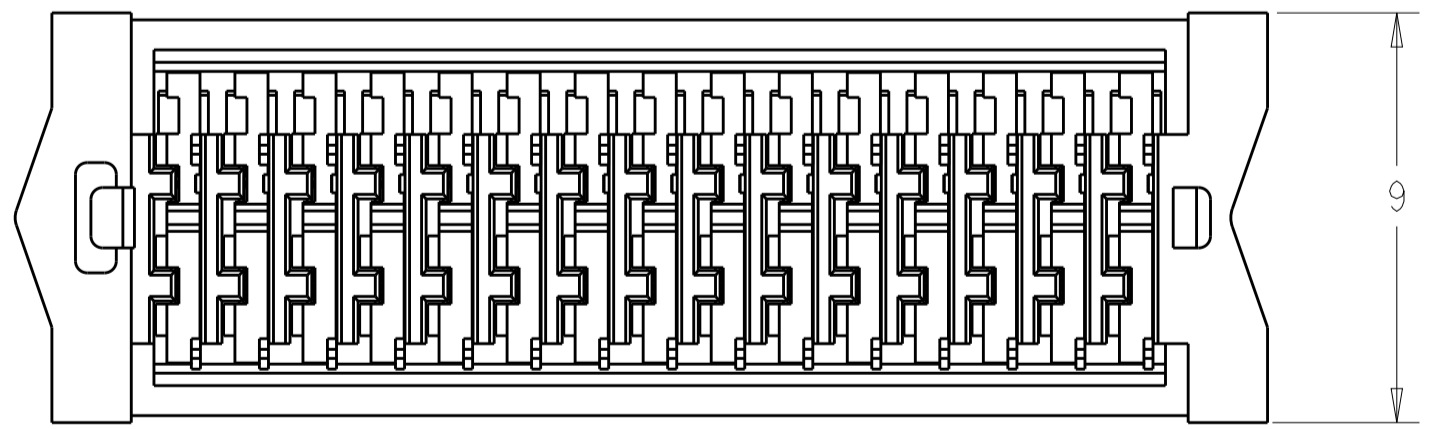
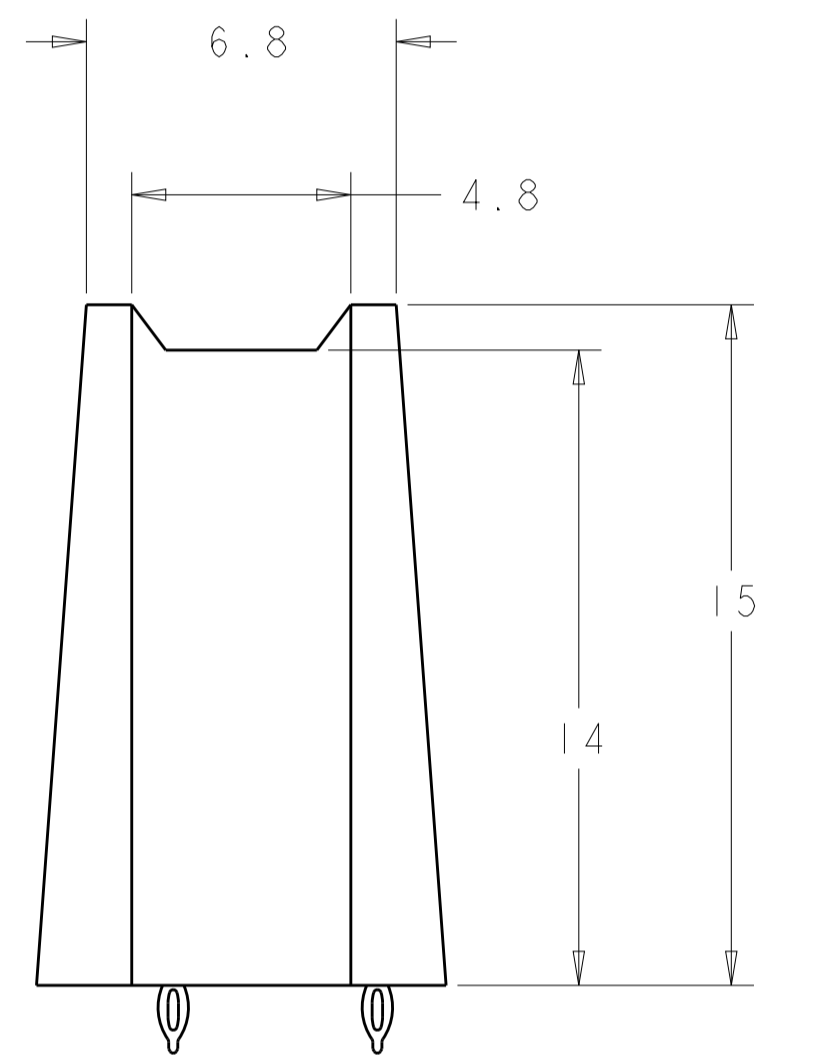
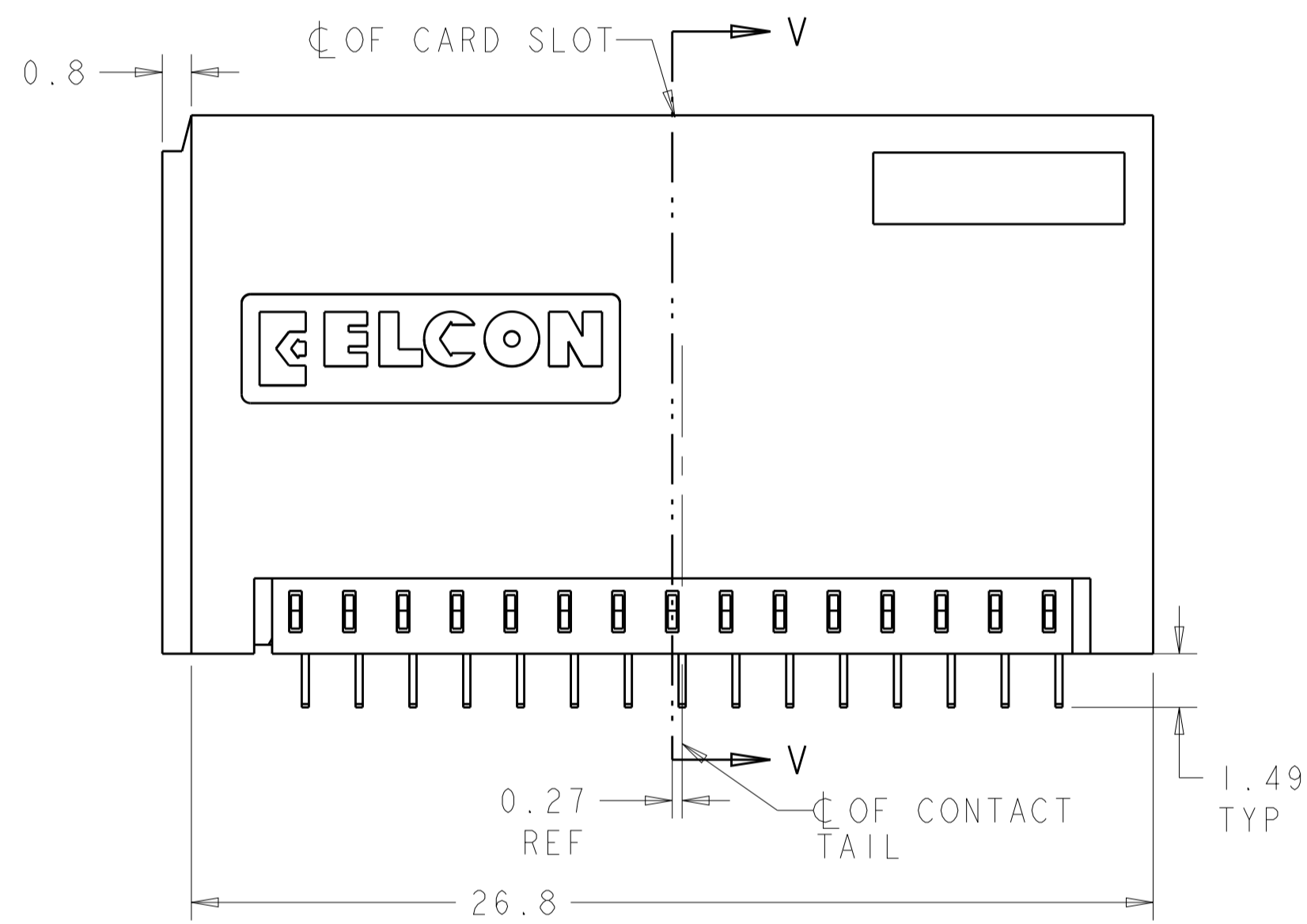
1926088-5  
 WITH PIN 3,4,7,8,11,12 OMITTED



SCALE 4:1



SECTION V-V

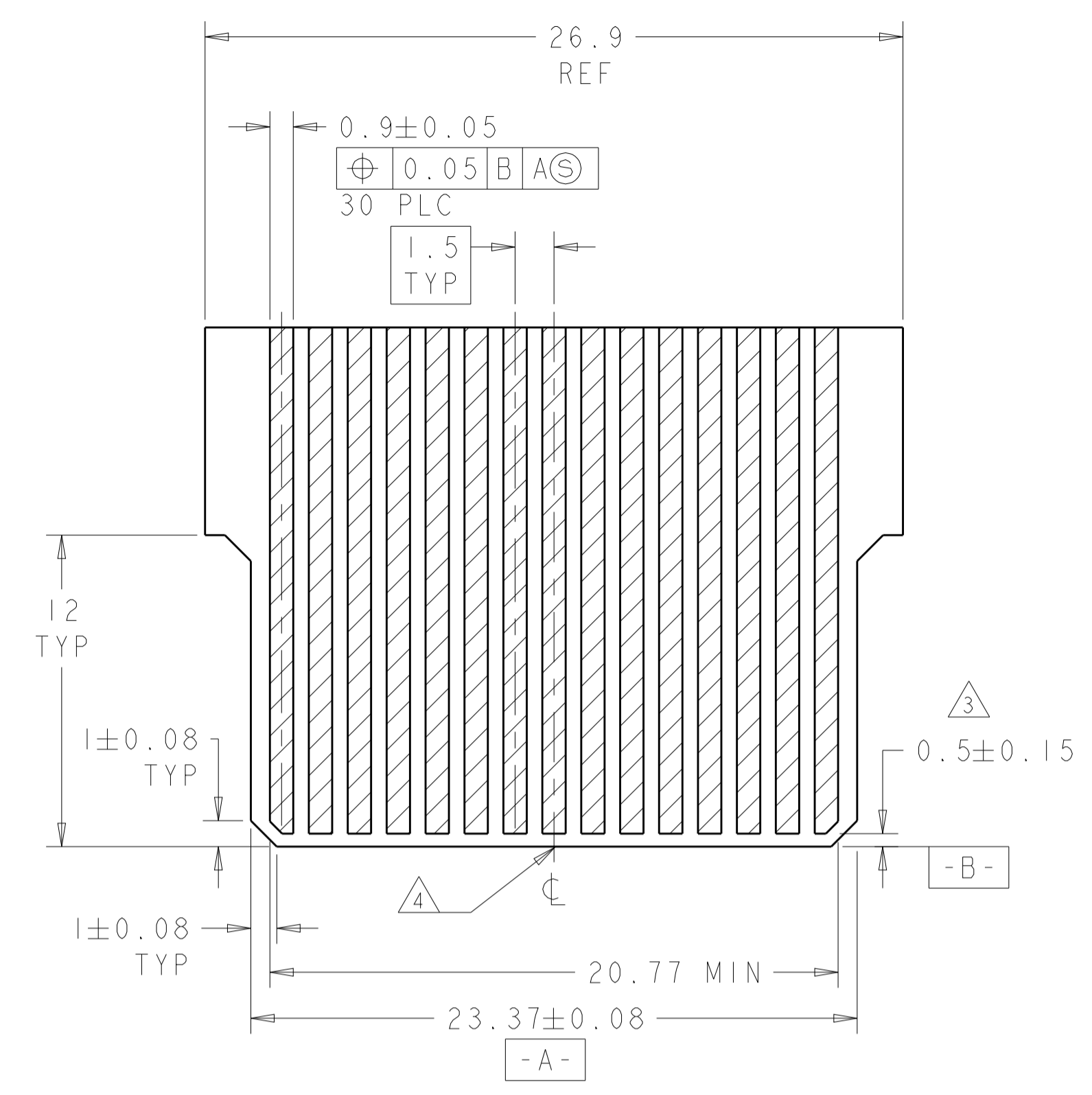


3, 4, 7, 8, 11, 12				1926088-5
				1926088-4
				1926088-3
				1926088-2
				1926088-1
OBSOLETE	42R4709			
OMITTED PIN	IBM PART NO	FINISH	PART NO	

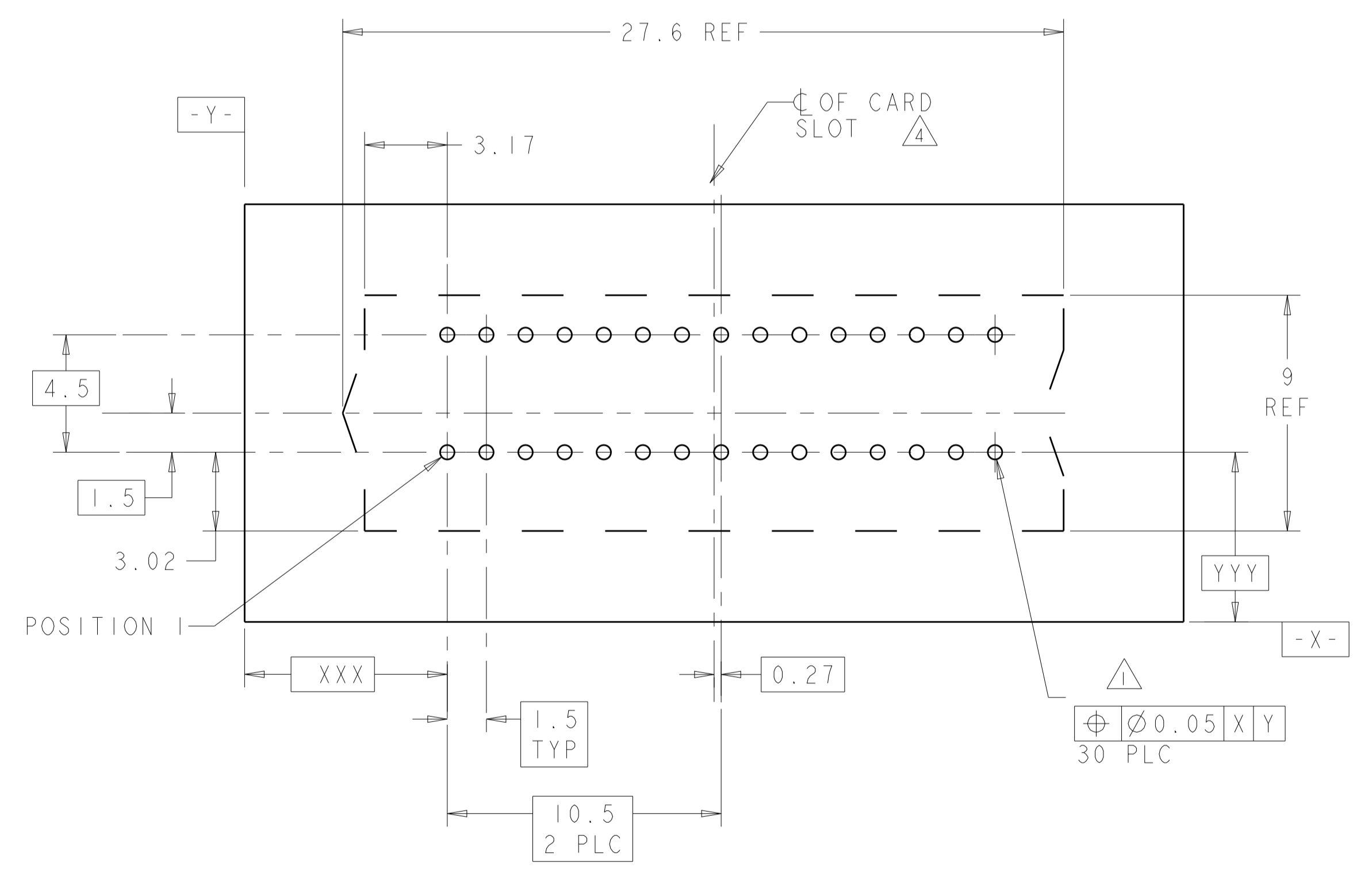
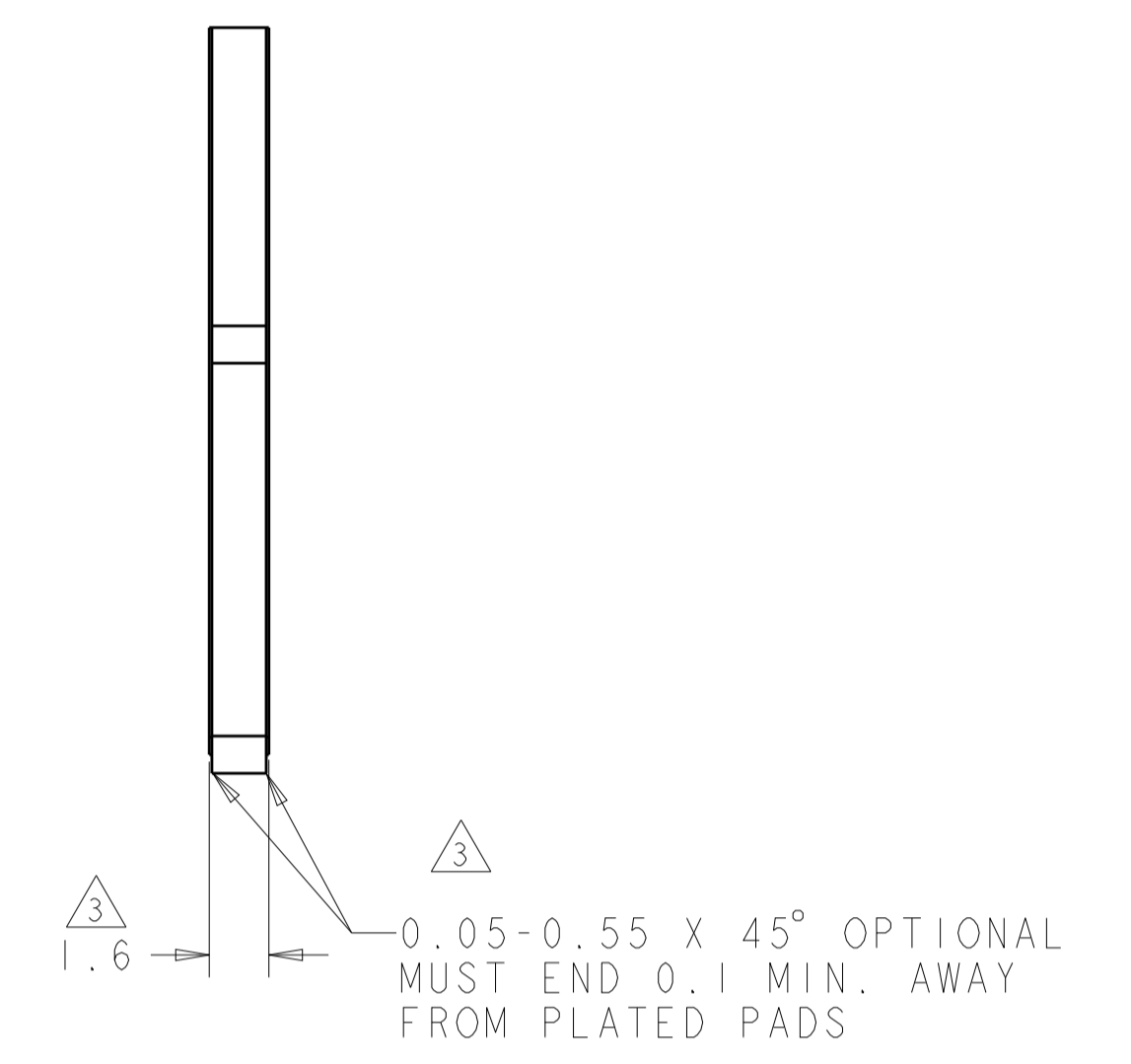
DIMENSIONS:		TOLERANCES UNLESS OTHERWISE SPECIFIED:		DWN: JIM VAN SCOOC 06MAR2006		Tyco Electronics	
mm	0 PLC $\pm 0.25$	1 PLC $\pm 0.25$	2 PLC $\pm 0.13$	3 PLC $\pm 0.08$	4 PLC $\pm 0.08$	ANGLES $\pm 1^{\circ}$	FINISH
MATERIAL							
CUSTOMER DRAWING				SCALE	3:1	SHEET	1 OF 2
NAME				ASSEMBLY, CROWN EDGE, VERTICAL CARD EDGE, 30 SIGNAL POSITION			
SIZE				A1 00779 C=1926088			
RESTRICTED TO				REV B2			

LOC	DIST	REV	DATE	BY	APPV
GP	00				

REVISIONS			
NO.	DESCRIPTION	DATE	BY
-	SEE SHEET 1	-	-



DOUBLE SIDED PCB DAUGHTERCARD



PCB BOARD LAYOUT COMPONENT SIDE SHOWN

<small>THIS DRAWING IS UNPUBLISHED. RELEASED FOR PUBLICATION. 20                  COPYRIGHT 20 BY TYCO ELECTRONICS CORPORATION. ALL RIGHTS RESERVED.</small>		DWN: 06MAR2006 CHK: N. REESER APVD: N. REESER DATE: 06MAR2006	<b>tyco</b> Electronics Tyco Electronics Harrisburg, PA 17105-3608
DIMENSIONS: mm 	TOLERANCES UNLESS OTHERWISE SPECIFIED: 0 PLC ±0.25 1 PLC ±0.25 2 PLC ±0.13 3 PLC ±0.08 4 PLC ± ANGLES ±1°	NAME: ASSEMBLY, CROWN EDGE, VERTICAL CARD EDGE, 30 SIGNAL POSITION PRODUCT SPEC: APPLICATION SPEC: WEIGHT: CUSTOMER DRAWING	SIZE: A CAGE CODE: 1926088 SCALE: 3:1 SHEET: 2 OF 2 REV: B2