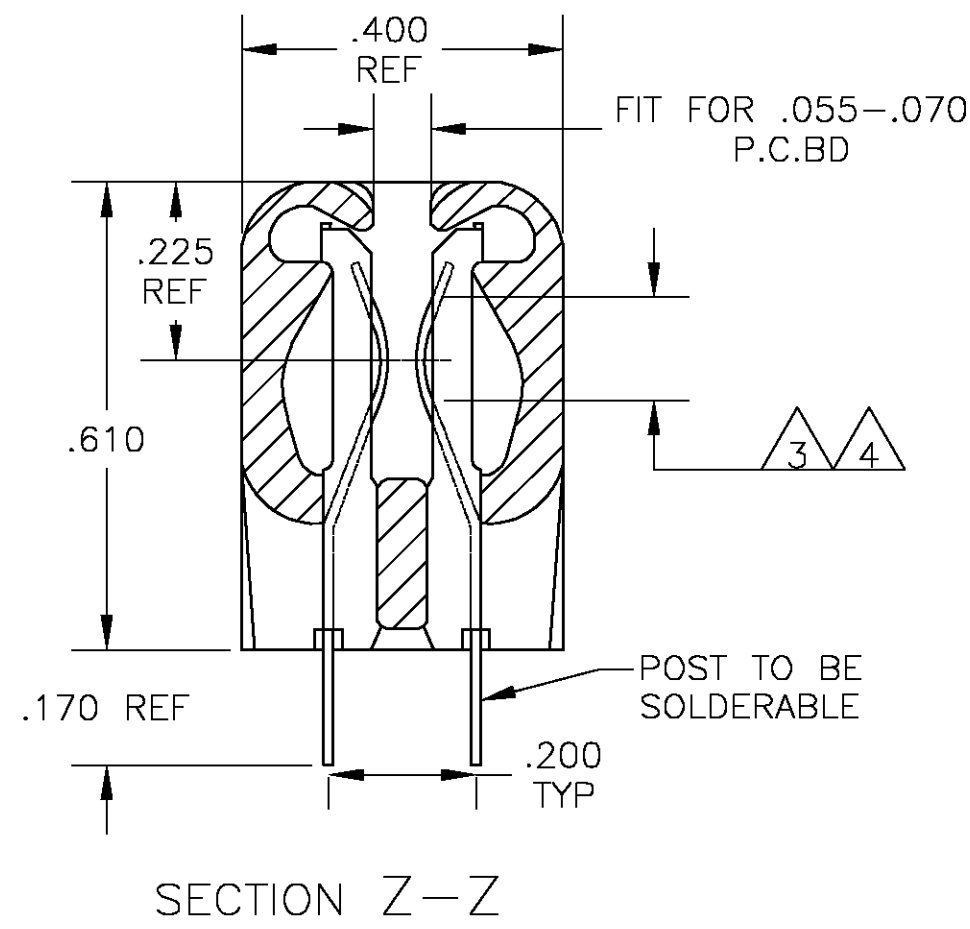
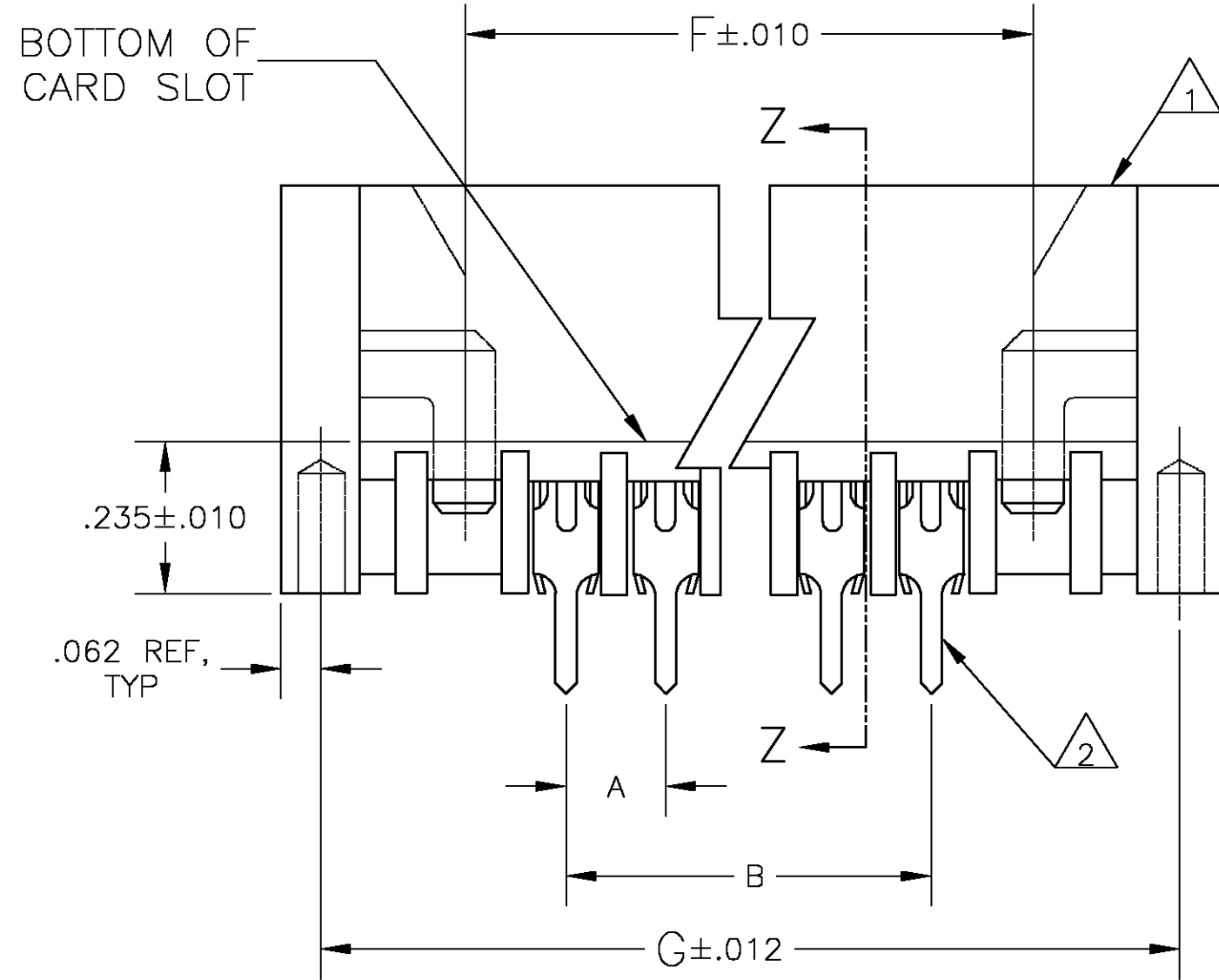


THIS DRAWING IS UNPUBLISHED. RELEASED FOR PUBLICATION
 © COPYRIGHT BY TYCO ELECTRONICS CORPORATION. ALL RIGHTS RESERVED.

LOC		DIST		REVISIONS			
P	LTR	DESCRIPTION		DATE	DWN	APVD	
	O	EC OG3C 0492 04		08JAN05	BSV	MM	



- ① HOUSING MATERIAL: GLASS-FILLED POLYESTER, COLOR-BLACK
- ② CONTACT MATERIAL: PHOSPHOR BRONZE
- ③ FINISH: .000015 GOLD,SELECTIVE.
- ④ FINISH: .000030 GOLD,SELECTIVE.

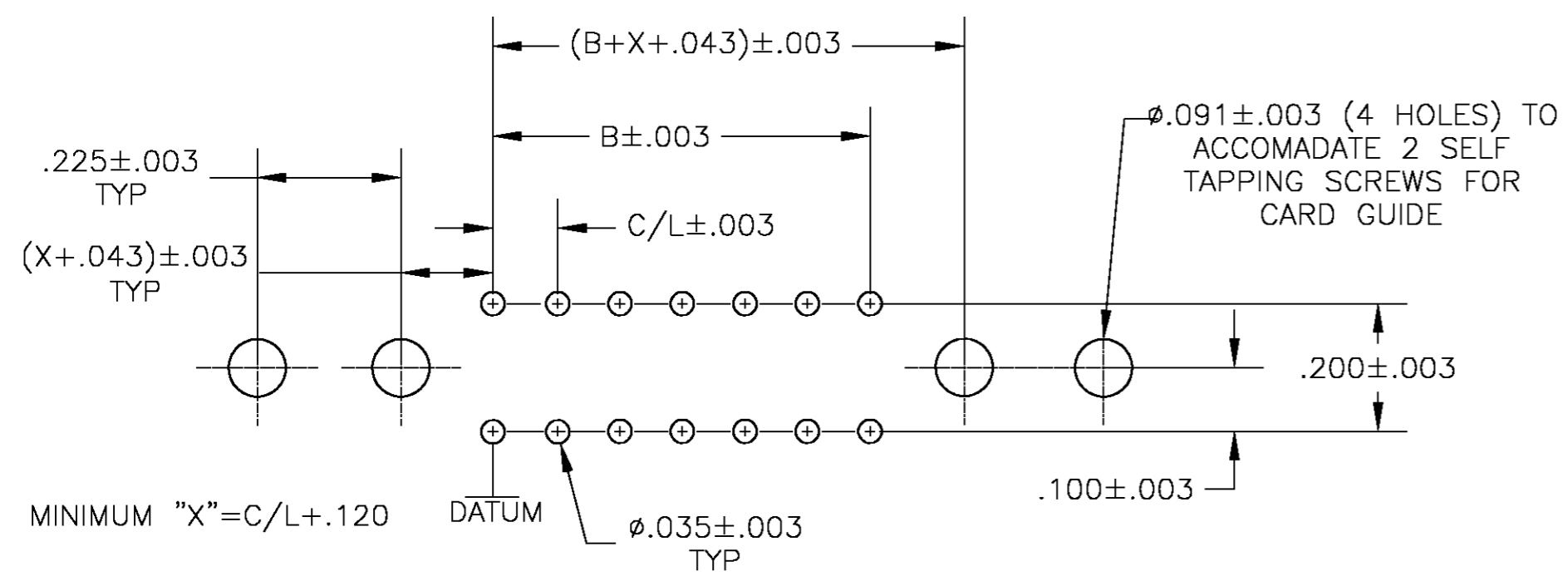
FINISH	G	F	B	A	NO OF POSN	PART NO
④	7.634	7.250	7.000	0.125	57	5-5583679-2
④	6.509	6.125	5.875	0.125	48	5-5583679-1
③	7.634	7.250	7.000	0.125	57	5-5583679-0
③	8.634	8.250	8.000	0.125	65	4-5583679-9
③	6.759	6.375	6.125	0.125	50	4-5583679-8
③	6.634	6.250	6.000	0.125	49	4-5583679-7
③	6.509	6.125	5.875	0.125	48	4-5583679-6
③	6.634	6.000	5.750	0.125	47	4-5583679-5
③	6.259	5.875	5.675	0.125	46	4-5583679-4
③	6.134	5.750	5.500	0.125	45	4-5583679-3
③	6.009	5.625	5.375	0.125	44	4-5583679-2
③	5.884	5.500	5.250	0.125	43	4-5583679-1
③	5.759	5.375	5.125	0.125	42	4-5583679-0
③	5.634	5.250	5.000	0.125	41	3-5583679-9
③	5.509	5.125	4.875	0.125	40	3-5583679-8
③	5.384	5.000	4.750	0.125	39	3-5583679-7
③	5.259	4.875	4.625	0.125	38	3-5583679-6
③	5.134	4.750	4.500	0.125	37	3-5583679-5
③	5.009	4.625	4.375	0.125	36	3-5583679-4
③	4.884	4.500	4.250	0.125	35	3-5583679-3
③	4.759	4.375	4.125	0.125	34	3-5583679-2
③	4.634	4.250	4.000	0.125	33	3-5583679-1
③	4.509	4.125	3.875	0.125	32	3-5583679-0
③	4.384	4.000	3.750	0.125	31	2-5583679-9
③	4.259	3.875	3.625	0.125	30	2-5583679-8
③	4.134	3.750	3.500	0.125	29	2-5583679-7
③	4.009	3.625	3.375	0.125	28	2-5583679-6
③	3.884	3.500	3.250	0.125	27	2-5583679-5
③	3.634	3.250	3.000	0.125	25	2-5583679-4
③	3.509	3.125	2.875	0.125	24	2-5583679-3
③	3.384	3.000	2.750	0.125	23	2-5583679-2
③	3.259	2.875	2.625	0.125	22	2-5583679-1
③	3.134	2.750	2.500	0.125	21	2-5583679-0
③	3.009	2.625	2.375	0.125	20	1-5583679-9
③	2.884	2.500	2.250	0.125	19	1-5583679-8
③	2.759	2.375	2.125	0.125	18	1-5583679-7
③	2.634	2.250	2.000	0.125	17	1-5583679-6
③	2.509	2.125	1.875	0.125	16	1-5583679-5
③	2.384	2.000	1.750	0.125	15	1-5583679-4
③	2.259	1.875	1.625	0.125	14	1-5583679-3
③	2.134	1.750	1.500	0.125	13	1-5583679-2
③	2.009	1.625	1.375	0.125	12	1-5583679-1
③	1.884	1.500	1.250	0.125	11	1-5583679-0
③	1.759	1.375	1.125	0.125	10	5583679-9
③	1.634	1.250	1.000	0.125	9	5583679-8
③	1.509	1.125	0.875	0.125	8	5583679-7
③	1.384	1.000	0.750	0.125	7	5583679-6
③	1.259	0.875	0.625	0.125	6	5583679-5
③	1.134	0.750	0.500	0.125	5	5583679-4
③	1.009	0.625	0.375	0.125	4	5583679-3
③	0.884	0.500	0.250	0.125	3	5583679-2
③	3.759	3.375	3.125	0.125	26	5583679-1

THIS DRAWING IS A CONTROLLED DOCUMENT.

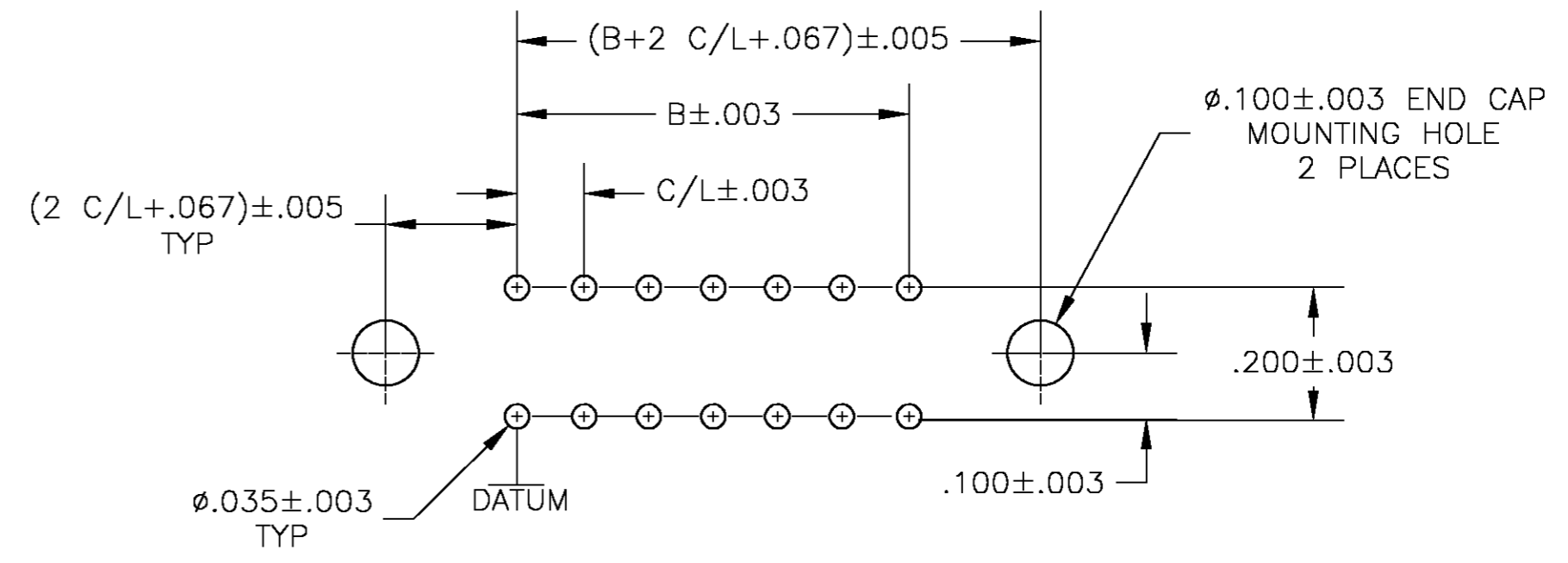
DIMENSIONS: INCHES	TOLERANCES UNLESS OTHERWISE SPECIFIED:	DWN: A.M.SHAPE 9-9-82	Tyco Electronics Corporation Harrisburg, Pa 17105-3608
	0 PLC ± - 1 PLC ± - 2 PLC ± - 3 PLC ± .005 4 PLC ± - ANGLES ± - FINISH	CHK: RAYFI 11-10-82 APVD: RAY JOHNATON 11-10-82 PRODUCT SPEC APPLICATION SPEC WEIGHT: -	
MATERIAL: ① ②	FINISH: ③ ④	NAME: ASSEMBLY, TWIN LEAF, .125 C/L .010 X .024 SOLDER TYPE POST, END CAP VERSION	RESTRICTED TO: -
CUSTOMER DRAWING		SIZE: A2 CAGE CODE: 00779 DRAWING NO: 5583679	SCALE: 4:1 SHEET: 1 OF 2 REV: 0

THIS DRAWING IS UNPUBLISHED. RELEASED FOR PUBLICATION
 © COPYRIGHT BY TYCO ELECTRONICS CORPORATION. ALL RIGHTS RESERVED.

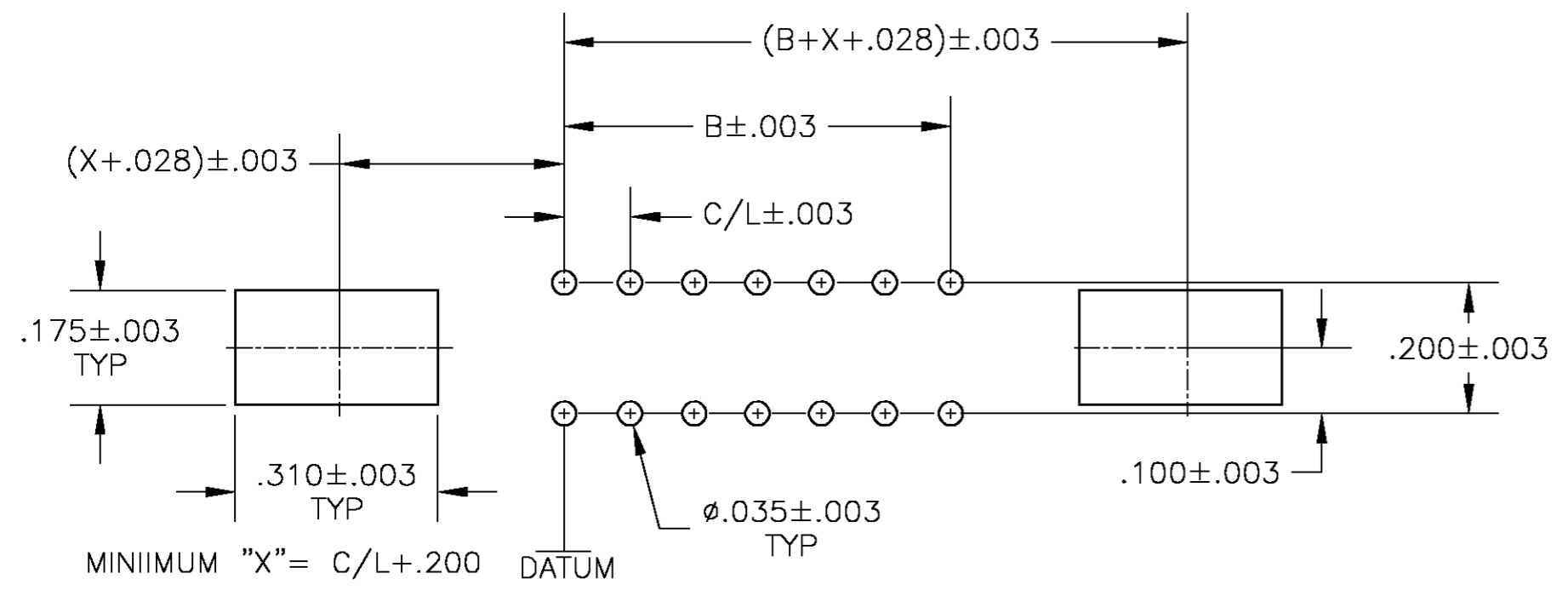
LOC	DIST	REVISIONS					
AD	00	P	LTR	DESCRIPTION	DATE	DWN	APVD
		0		EC 0G3C 0492 04	07JAN05	BSV	MM



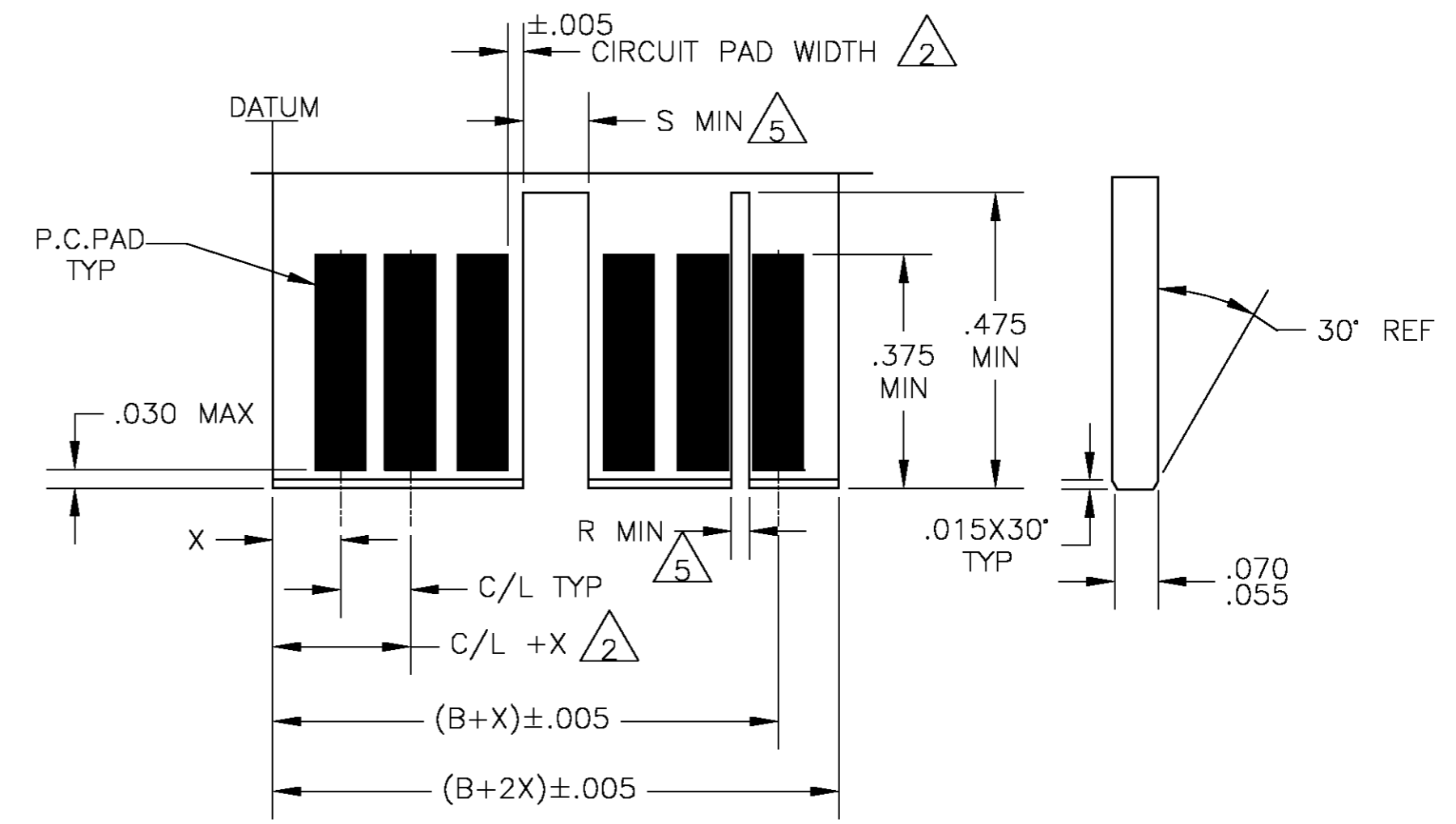
BOARD LAYOUT FOR USE WITH AMP CARD GUIDE PART NO.583671



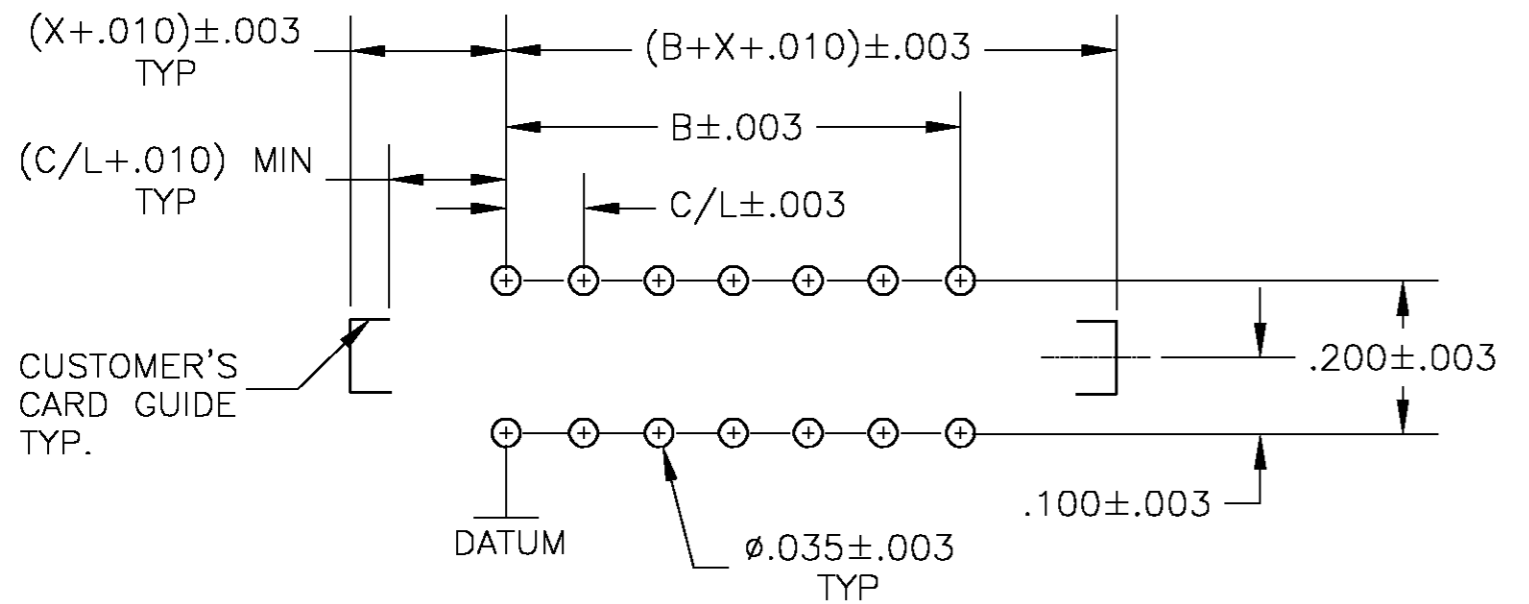
BOARD LAYOUT FOR USE WITH END CAP



BOARD LAYOUT FOR USE WITH AMP CARD GUIDE PART NO.583408 OR 583425



DAUGHTER BOARD LAYOUT



BOARD LAYOUT FOR USE WITH CUSTOMER SUPPLIED CARD GUIDE

INTER-CONTACT KEYING PLUG	"R"	FOR CENTER LINE SPACING
530030-1	.050	.125-.150-.156
530030-2	.040	.100

ON CONTACT KEYING PLUG	"S"	FOR CENTER LINE SPACING
583714-1	.129	.100-.125
583714-2	.160	.150-.156

- MAX ALLOWABLE WARPAGE OF MOTHER BOARD NOT TO EXCEED .005/IN. MAX.ALLOWABLE BOW OF DAUGHTER BOARD NOT TO EXCEED .010/IN. THICKNESS OF MOTHER BOARD IS .062 FOR DOUBLE SLOTTED CARD GUIDES AND .104 MAX. FOR ALL OTHER MOUNTING CONDITIONS.
- EACH PAD LOCATION INCREASES BY C/L±.005 WITH A NON-CUMULATIVE TOLERANCE OF ±.005. CIRCUIT PAD WIDTH -.045 FOR .100 C/L, .072 FOR .125 C/L, .072 FOR .150 C/L, .080 FOR .156 C/L. DIMENSIONS APPLY TO BOTH SIDES OF DAUGHTER BOARD.
- C/L INCREMENTS ON MOTHER BOARD HAVE ±.003 NON-CUMULATIVE TOLERANCE.
- "X" IS A CUSTOMER CONTROLLED DIMENSION EXCEPT FOR END CAP ASSEMBLIES WHERE "X" = C/L - .008
- THE SLOT FOR INTER-CONTACT KEYING PLUGS MUST BE CENTERED BETWEEN THE PRINTED CIRCUIT PADS, WHILE THE SLOT FOR ON-CONTACT KEYING PLUGS MUST BE CENTERED ON THE AREA OF A PRINTED CIRCUIT PAD.

THIS DRAWING IS A CONTROLLED DOCUMENT.

DWN	M.SMITH	6-10-82
CHK	RAYFI	11-10-82
APVD	RAY JOHNATON	11-10-82

Tyco Electronics Corporation
Harrisburg, Pa 17105-3608

NAME: HOUSING ASSEMBLY
TWIN LEAF CONNECTOR .125 CENTERS

SIZE: A2 CAGE CODE: 00779 DRAWING NO: C=5583679 RESTRICTED TO: -

SCALE: 4:1 SHEET: 2 OF 2 REV: 0