

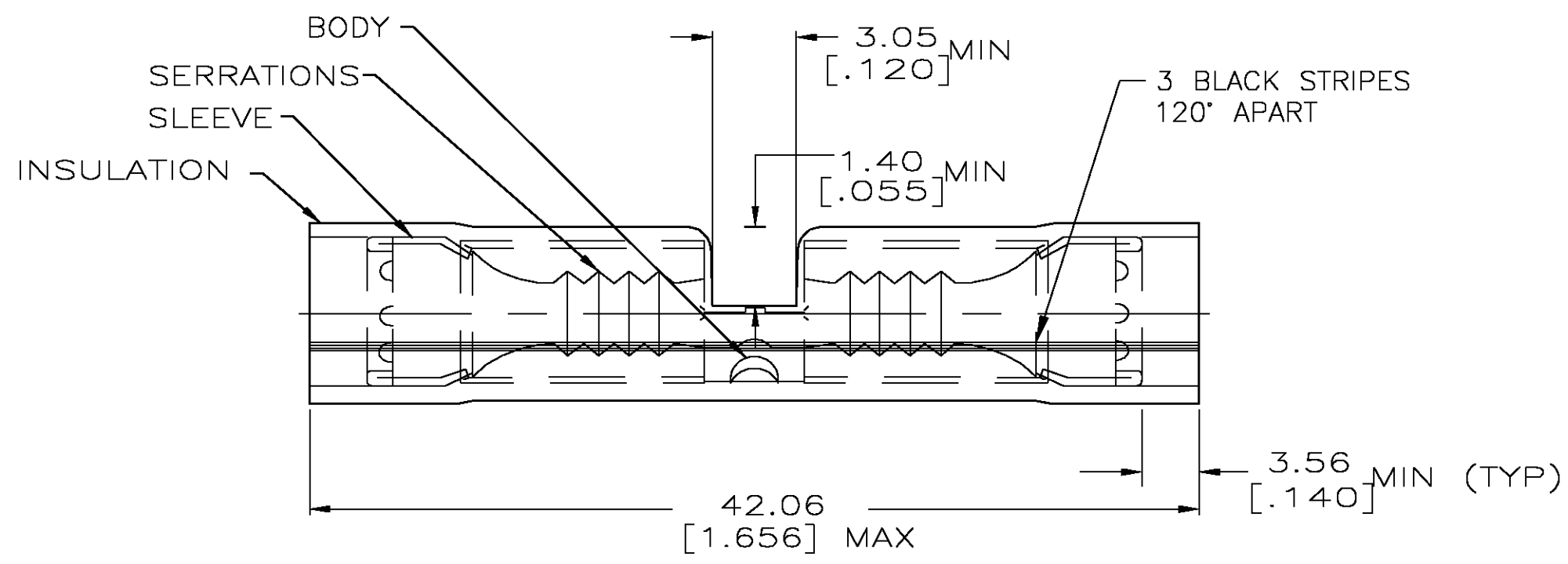
THIS DRAWING IS UNPUBLISHED. RELEASED FOR PUBLICATION  
 © COPYRIGHT BY TYCO ELECTRONICS CORPORATION. ALL RIGHTS RESERVED.

LOC	DIST	REVISIONS			
P	LTR	DESCRIPTION	DATE	DWN	APVD
G	14	B	REL PER 0G3A-0928-04	18NOV04	JR TM

**AMP**  
WIRE RANGE

---

16-14 AWG  
STRANDED



- 1 WIRE INSULATION DIA 3.81 [.150] TO 6.35 [.250].
- △2 BODY & SLEEVE: COPPER PER ASTM B152 INSULATION : NYLON
- △3 BODY & SLEEVE: TIN PLATE PER ASTM B545 INSULATION : YELLOW
- △4 PREPRODUCTION - FASR REQUIRED

50	LOOSE PIECE	△4 696730-1
QTY	PACKAGE TYPE	PART NUMBER

**AMP INCORPORATED**  
CUSTOMER SERVICE SYSTEMS

FOR ADDITIONAL PRODUCT INFORMATION OR COPIES OF DRAWINGS AND TECHNICAL DOCUMENTS	PRODUCT INFORMATION CENTER 1-800-522-6752
FOR APPLICATION TOOLING INFORMATION	TOOLING ASSISTANCE CENTER 1-800-722-1111
FOR ORDER ENTRY	1-800-526-5142

MAX RECOMMENDED OPERATING TEMPERATURE:  
105° C

VOLTAGE RATING:  
600V MAX  
1000V MAX (FIXTURE OR SIGN)

CIRCULAR MIL AREA:  
1.04-2.62mm<sup>2</sup> [2,050-5,180]  
STRANDED

THIS DRAWING IS A CONTROLLED DOCUMENT.

DIMENSIONS:	TOLERANCES UNLESS OTHERWISE SPECIFIED:
INCHES	
0 PLC	± -
1 PLC	± -
2 PLC	± 0.20 [.008]
3 PLC	± -
4 PLC	± -
ANGLES	± -

MATERIAL - △2 FINISH - △3

DWN JR RUTH 04OCT04	<b>tyco</b> <b>Electronics</b>	Tyco Electronics Corporation Harrisburg, PA 17105	
CHK T MICHIELUTTI 04OCT04		NAME	
APVD T MICHIELUTTI 04OCT04	SPLICE, BUTT, PIDG, WIRE SIZE: 16-14HD AWG		RESTRICTED TO
PRODUCT SPEC	SIZE A3	CAGE CODE 00779	DRAWING NO C-696730
APPLICATION SPEC	CUSTOMER DRAWING		SCALE 4:1
WEIGHT -	SHEET 1 OF 1		REV B