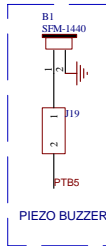
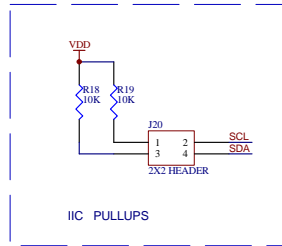
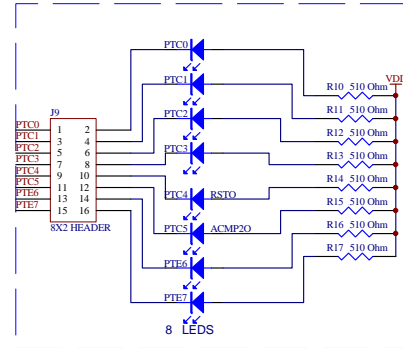
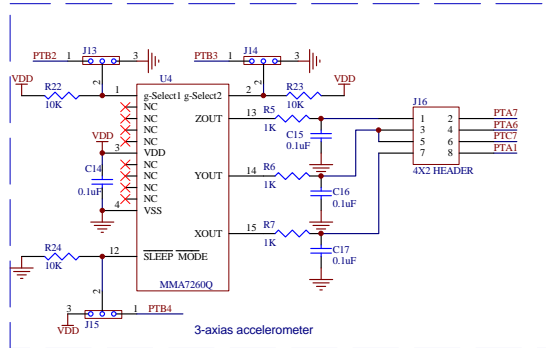


Copyright (C) 2007, P&E Microcomputer Systems, Inc.

P&E Microcomputer Systems, Inc.
98 Galen Street, Floor 2
Watertown
MA 02472
USA.

DEMOQE Base Board Schematic

Size B	FCSM No.	DWG No.	Rev B
Scale		Sheet 1 of 3	

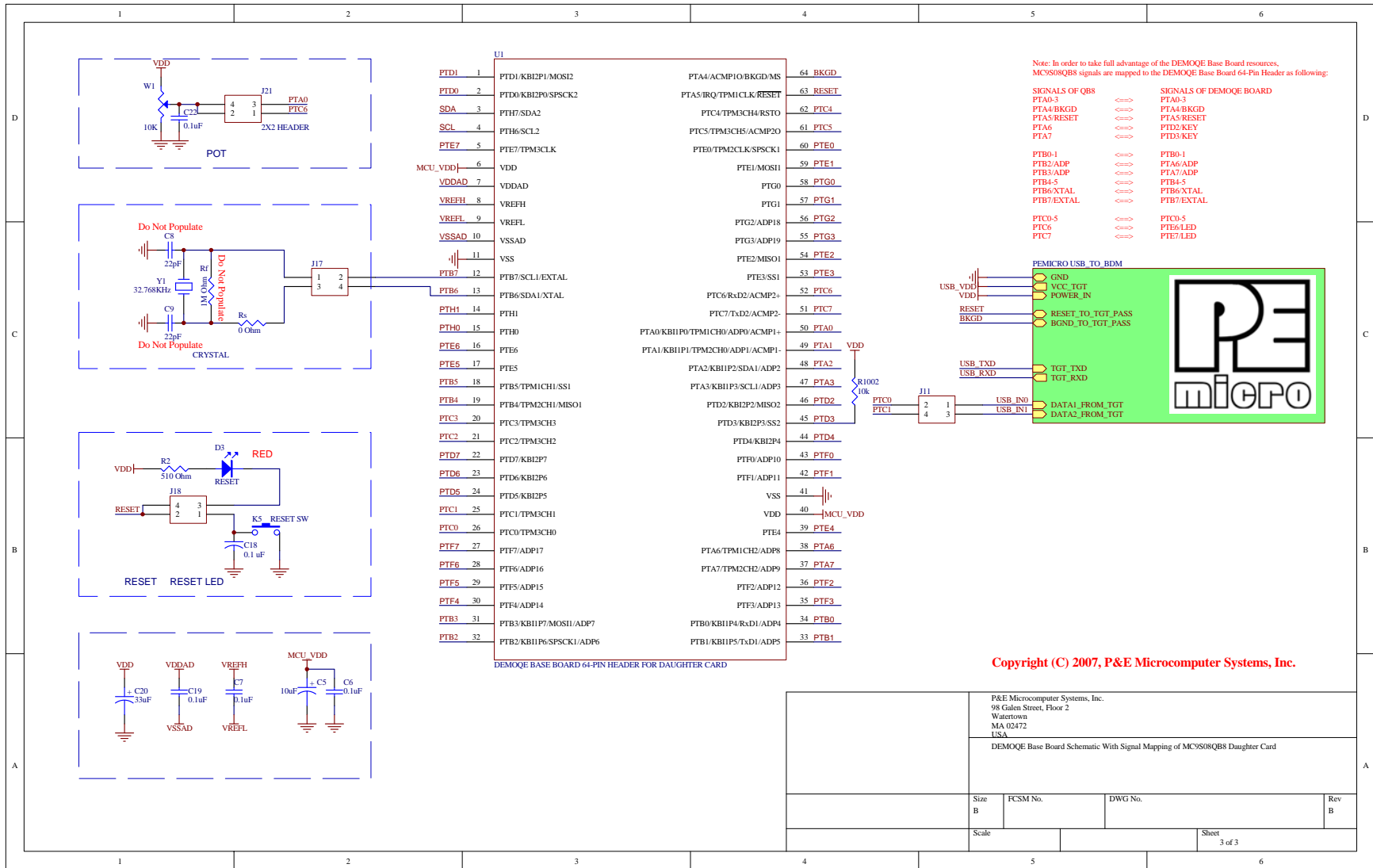


MCU_PORT_VDD	J1	J1	J2
1	VDD	PTA5/IRQ/TCLK/RESET	2 RESET
3	VSS	PTA5/IRQ/TCLK/RESET	4 RESET
5	PTB1	PTB1/KBIP5/TxD/ADP5	6 BKGD
7	PTB0	PTB0/KBIP4/RxD/ADP4	8 PTE7
9	PTA2	PTA2/KBIP3/ADP2	10 VREF1
11	PTA3	PTA3/KBIP3/ADP3	12 VREF1
13	PTC0	PTA0/KBIP0/TPMCH0/ADP0/ACMP0	14 PTA0
15	PTC1	PTA1/KBIP1/ADP1/ACMP1	16 PTA1
17	PTB3	NC	18 PTF0
19	PTB4	NC	20 PTF1
21	PTB2	NC	22 PTA6
23	PTB5	PTB5/TPMCH0	24 PTA7
25	PTD1	NC	26 SCL
27	PTD2	NC	28 SDA
29	PTD0	NC	30 PTD4
31	PTD3	NC	32 PTD5
33	PTC2	NC	34 PTD6
35	PTC3	NC	36 PTD7
37	PTC4	NC	38 PTC7
39	PTC5	NC	40 PTC6
41	PTC6	NC	42 PTC7
43	PTC3	PTB7/EXTAL	44 PTB6
45	PTF4	PTB6/XTAL	46 PTG0
47	PTF5	NC	48 PTG1
49	PTF6	NC	50 PTH0
51	PTF7	NC	52 PTH1
53	PTG2	NC	54 PTH2
55	PTG3	NC	56 PTH3

DEMOQOE BASE BOARD MCU_PORT PIN DEFINITION MAPPED FOR DEMOS0808BS SPECIFICALLY

Copyright (C) 2007, P&E Microcomputer Systems, Inc.

P&E Microcomputer Systems, Inc. 98 Galen Street, Floor 2 Watertown, MA 02472 USA		DEMOQOE Base Board Schematic With MCU_Port Pin Definition Mapped for MC9S08QB8 Daughter Card	
Size B	FCSM No.	DWG No.	Rev B
Scale	Sheet		2 of 3



Copyright (C) 2007, P&E Microcomputer Systems, Inc.

P&E Microcomputer Systems, Inc.
 98 Galen Street, Floor 2
 Watertown,
 MA 02472
 USA
 DEMOQE Base Board Schematic With Signal Mapping of MC9S08QB8 Daughter Card

Size B	FCSM No.	DWG No.	Rev B
Scale		Sheet 3 of 3	