



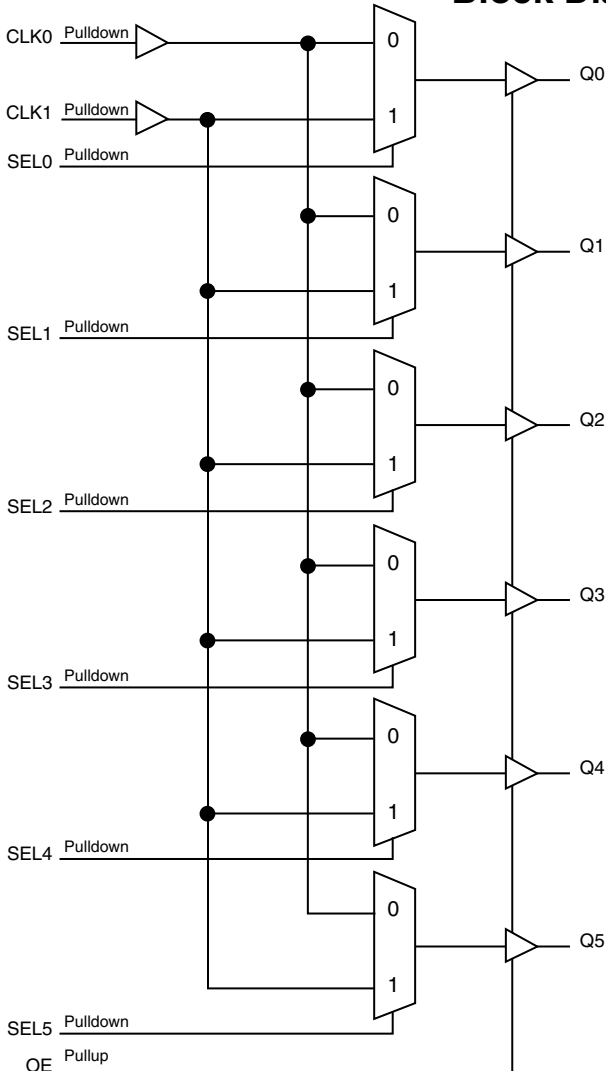
# 6-BIT, 2:1, SINGLE-ENDED LVCMOS MULTIPLEXER

# ICS83056I-01

## General Description

The ICS83056I-01 is a 6-bit, 2:1, Single-ended LVCMOS Multiplexer and a member of the HiPerClockS™ family of High Performance Clock Solutions from IDT. The ICS83056I-01 has two selectable single-ended LVCMOS clock inputs and six single-ended LVCMOS clock outputs. The outputs have a  $V_{DDO}$  which may be set at 3.3V, 2.5V, or 1.8V, making the device ideal for use in voltage translation applications. An output enable pin places the output in a high impedance state which may be useful for testing or debug. Possible applications include systems with up to 6 transceivers which need to be independently set for different rates. For example, a board may have six transceivers, each of which need to be independently configured for 1 Gigabit Ethernet or 1 Gigabit Fibre Channel rates. Another possible application may require the ports to be independently set for FEC (Forward Error Correction) or non-FEC rates. The device operates up to 250MHz and is packaged in a 20 TSSOP.

## Block Diagram



## Features

- 6-Bit, 2:1 single-ended LVCMOS multiplexer
- Maximum output frequency: 250MHz
- Additive phase jitter, RMS at 155.52MHz (12kHz - 20MHz): 0.18ps (typical)
- Operating supply modes:  
Core/Output  
 $V_{DD}/V_{DDO}$   
3.3V/3.3V  
3.3V/2.5V  
3.3V/1.8V  
2.5V/2.5V  
2.5V/1.8V
- -40°C to 85°C ambient operating temperature
- Available in both standard (RoHS 5) and lead-free (RoHS 6) packages

## Pin Assignment

SEL5	1	20	SEL0
Q5	2	19	Q0
$V_{DDO}$	3	18	$V_{DDO}$
GND	4	17	GND
Q4	5	16	Q1
SEL4	6	15	SEL1
CLK1	7	14	CLK0
$V_{DD}$	8	13	OE
Q3	9	12	Q2
SEL3	10	11	SEL2

### ICS83056I-01

**20-Lead TSSOP**  
**6.50mm x 4.40mm x 0.925mm**  
**package body**  
**G Package**  
**Top View**

**Table 1. Pin Descriptions**

Number	Name	Type		Description
1, 6 10, 11 15, 20	SEL5, SEL4, SEL3, SEL2, SEL1, SEL0	Input	Pulldown	Clock select inputs. See Table 3. LVCMOS / LVTTTL interface levels.
2, 5, 9 12, 16, 19	Q5, Q4, Q3, Q2, Q1, Q0	Output		Single-ended clock output. LVCMOS/LVTTTL interface levels.
3, 18	V <sub>DDO</sub>	Power		Output supply pins.
4, 17	GND	Power		Power supply ground.
7, 14	CLK1, CLK0	Input	Pulldown	Single-ended clock inputs. LVCMOS/LVTTTL interface levels.
8	V <sub>DD</sub>	Power		Power supply pin.
13	OE	Input	Pullup	Output enable. When LOW, outputs are in a High impedance state. When HIGH, outputs are active. LVCMOS / LVTTTL interface levels.

NOTE: *Pullup and Pulldown* refer to internal input resistors. See Table 2, *Pin Characteristics*, for typical values.

**Table 2. Pin Characteristics**

Symbol	Parameter	Test Conditions	Minimum	Typical	Maximum	Units
C <sub>IN</sub>	Input Capacitance			4		pF
C <sub>PD</sub>	Power Dissipation Capacitance (per output)	V <sub>DD</sub> = V <sub>DDO</sub> = 3.465V		18		pF
		V <sub>DD</sub> = V <sub>DDO</sub> = 2.625V		19		pF
		V <sub>DD</sub> = V <sub>DDO</sub> = 2V		19		pF
R <sub>PULLUP</sub>	Input Pullup Resistor			51		kΩ
R <sub>PULLDOWN</sub>	Input Pulldown Resistor			51		kΩ
R <sub>OUT</sub>	Output Impedance	V <sub>DDO</sub> = 3.465V		15		Ω
		V <sub>DDO</sub> = 2.625V		17		Ω
		V <sub>DDO</sub> = 2V		25		Ω

## Function Tables

**Table 3. Control Input Function Table**

Control Inputs	Outputs
<b>SELx</b>	<b>Qx</b>
0	CLK0
1	CLK1

## Absolute Maximum Ratings

NOTE: Stresses beyond those listed under *Absolute Maximum Ratings* may cause permanent damage to the device. These ratings are stress specifications only. Functional operation of product at these conditions or any conditions beyond those listed in the *DC Characteristics* or *AC Characteristics* is not implied. Exposure to absolute maximum rating conditions for extended periods may affect product reliability.

Item	Rating
Supply Voltage, $V_{DD}$	4.6V
Inputs, $V_I$	-0.5V to $V_{DD} + 0.5V$
Outputs, $V_O$	-0.5V to $V_{DDO} + 0.5V$
Package Thermal Impedance, $\theta_{JA}$	91.1°C/W (0 mps)
Storage Temperature, $T_{STG}$	-65°C to 150°C

## DC Electrical Characteristics

**Table 4A. Power Supply DC Characteristics,  $V_{DD} = 3.3V \pm 5\%$ ,  $V_{DDO} = 3.3V \pm 5\%$  or  $2.5V \pm 5\%$ , or  $1.8V \pm 0.2V$ ,  $T_A = -40^\circ\text{C}$  to  $85^\circ\text{C}$**

Symbol	Parameter	Test Conditions	Minimum	Typical	Maximum	Units
$V_{DD}$	Positive Supply Voltage		3.135	3.3	3.465	V
$V_{DDO}$	Output Supply Voltage		3.135	3.3	3.465	V
			2.375	2.5	2.625	V
			1.6	1.8	2.0	V
$I_{DD}$	Power Supply Current				45	mA
$I_{DDO}$	Output Supply Current	No Load			5	mA

**Table 4B. Power Supply DC Characteristics,  $V_{DD} = 2.5V \pm 5\%$ ,  $V_{DDO} = 2.5V \pm 5\%$  or  $1.8V \pm 0.2V$ ,  $T_A = -40^\circ\text{C}$  to  $85^\circ\text{C}$**

Symbol	Parameter	Test Conditions	Minimum	Typical	Maximum	Units
$V_{DD}$	Positive Supply Voltage		2.375	2.5	2.625	V
$V_{DDO}$	Output Supply Voltage		2.375	2.5	2.625	V
			1.6	1.8	2.0	V
$I_{DD}$	Power Supply Current				40	mA
$I_{DDO}$	Output Supply Current	No Load			5	mA

Table 4C. LVCMOS/LVTTL DC Characteristics,  $T_A = -40^{\circ}\text{C}$  to  $85^{\circ}\text{C}$ 

Symbol	Parameter	Test Conditions	Minimum	Typical	Maximum	Units
$V_{IH}$	Input High Voltage	$V_{DD} = 3.465\text{V}$	2		$V_{DD} + 0.3$	V
		$V_{DD} = 2.625\text{V}$	1.7		$V_{DD} + 0.3$	V
$V_{IL}$	Input Low Voltage	$V_{DD} = 3.465\text{V}$	-0.3		1.3	V
		$V_{DD} = 2.625\text{V}$	-0.3		0.7	V
$I_{IH}$	Input High Current	CLK0, CLK1, SEL[0:5] $V_{DD} = V_{IN} = 3.465\text{V}$ or $2.625\text{V}$			150	$\mu\text{A}$
		OE $V_{DD} = V_{IN} = 3.465\text{V}$ or $2.625\text{V}$			5	$\mu\text{A}$
$I_{IL}$	Input Low Current	CLK0, CLK1, SEL[0:5] $V_{DD} = 3.465\text{V}$ or $2.625\text{V}$ , $V_{IN} = 0\text{V}$	-5			$\mu\text{A}$
		OE $V_{DD} = 3.465\text{V}$ or $2.625\text{V}$ , $V_{IN} = 0\text{V}$	-150			$\mu\text{A}$
$V_{OH}$	Output High Voltage;	$V_{DDO} = 3.3\text{V} \pm 5\%$ , $I_{OH} = -24\text{mA}$	2.6			V
		$V_{DDO} = 2.5\text{V} \pm 5\%$ , $I_{OH} = -12\text{mA}$	1.8			V
		$V_{DDO} = 1.8\text{V} \pm 0.2\text{V}$ , $I_{OH} = -4\text{mA}$	$V_{DDO} - 0.3$			V
$V_{OL}$	Output Low Voltage	$V_{DDO} = 3.3\text{V} \pm 5\%$ , $I_{OL} = 24\text{mA}$			0.5	V
		$V_{DDO} = 2.5\text{V} \pm 5\%$ , $I_{OL} = 12\text{mA}$			0.45	V
		$V_{DDO} = 1.8\text{V} \pm 0.2\text{V}$ , $I_{OL} = 4\text{mA}$			0.35	V

## AC Electrical Characteristics

**Table 5A. AC Characteristics,  $V_{DD} = V_{DDO} = 3.3V \pm 5\%$ ,  $T_A = -40^{\circ}C$  to  $85^{\circ}C$**

Symbol	Parameter	Test Conditions	Minimum	Typical	Maximum	Units
$f_{MAX}$	Output Frequency				250	MHz
$t_{PLH}$	Propagation Delay, Low-to-High; NOTE 1		1.8	2.5	3.2	ns
$t_{PHL}$	Propagation Delay, High-to-Low; NOTE 1		2.0	2.6	3.2	ns
$f_{jit}$	Buffer Additive Phase Jitter, RMS; refer to Additive Phase Jitter Section; NOTE 2	155.52MHz, Integration Range: 12kHz – 20MHz		0.18		ps
$t_{sk(i)}$	Input Skew; NOTE 3				145	ps
$t_{sk(o)}$	Output Skew: NOTE 4				130	ps
$t_{sk(pp)}$	Part-to-Part Skew; NOTE 3, 5				800	ps
$t_R / t_F$	Output Rise/Fall Time	20% to 80%	300		800	ps
odc	Output Duty Cycle	$f_{OUT} \leq 175MHz$	40		60	%
$MUX_{ISOLATION}$	MUX Isolation	100MHz		45		dB

NOTE: Electrical parameters are guaranteed over the specified ambient operating temperature range, which is established when device is mounted in a test socket with maintained transverse airflow greater than 500 lpm. Device will meet specifications after thermal equilibrium has been reached under these conditions.

NOTE 1: Measured from  $V_{DD}/2$  of the input to  $V_{DDO}/2$  of the output.

NOTE 2: Driving only one input clock.

NOTE 3: This parameter is defined according with JEDEC Standard 65.

NOTE 4: Defined as skew between outputs at the same supply voltage and with equal load conditions. Measured at  $V_{DDO}/2$ .

NOTE 5: Defined as skew between outputs on different devices operating at the same supply voltage and with equal load conditions.

Using the same type of inputs on each device, the outputs are measured at the differential cross points.

**Table 5B. AC Characteristics,  $V_{DD} = 3.3V \pm 5\%$ ,  $V_{DDO} = 2.5V \pm 5\%$ ,  $T_A = -40^{\circ}C$  to  $85^{\circ}C$**

Symbol	Parameter	Test Conditions	Minimum	Typical	Maximum	Units
$f_{MAX}$	Output Frequency				250	MHz
$t_{PLH}$	Propagation Delay, Low-to-High; NOTE 1		2.1	2.6	3.1	ns
$t_{PHL}$	Propagation Delay, High-to-Low; NOTE 1		2.3	2.7	3.1	ns
$f_{jit}$	Buffer Additive Phase Jitter, RMS; refer to Additive Phase Jitter Section; NOTE 2	155.52MHz, Integration Range: 12kHz – 20MHz		0.14		ps
$t_{sk(i)}$	Input Skew; NOTE 3				100	ps
$t_{sk(o)}$	Output Skew: NOTE 4				130	ps
$t_{sk(pp)}$	Part-to-Part Skew; NOTE 3, 5				800	ps
$t_R / t_F$	Output Rise/Fall Time	20% to 80%	300		800	ps
odc	Output Duty Cycle		40		60	%
$MUX_{ISOLATION}$	MUX Isolation	100MHz		45		dB

See notes in Table 5A above.

**Table 5C. AC Characteristics,  $V_{DD} = 3.3V \pm 5\%$ ,  $V_{DDO} = 1.8V \pm 0.2V$ ,  $T_A = -40^\circ\text{C}$  to  $85^\circ\text{C}$** 

Symbol	Parameter	Test Conditions	Minimum	Typical	Maximum	Units
$f_{MAX}$	Output Frequency				250	MHz
$t_{PLH}$	Propagation Delay, Low-to-High; NOTE 1		2.6	3.1	3.6	ns
$t_{PHL}$	Propagation Delay, High-to-Low; NOTE 1		2.7	3.2	3.7	ns
$f_{jit}$	Buffer Additive Phase Jitter, RMS; refer to Additive Phase Jitter Section; NOTE 2	155.52MHz, Integration Range: 12kHz – 20MHz		0.16		ps
$t_{sk(i)}$	Input Skew; NOTE 3				110	ps
$t_{sk(o)}$	Output Skew: NOTE 4				130	ps
$t_{sk(pp)}$	Part-to-Part Skew; NOTE 3, 5				800	ps
$t_R / t_F$	Output Rise/Fall Time	20% to 80%	450		850	ps
odc	Output Duty Cycle		40		60	%
$MUX_{ISOLATION}$	MUX Isolation	100MHz		45		dB

NOTE: Electrical parameters are guaranteed over the specified ambient operating temperature range, which is established when device is mounted in a test socket with maintained transverse airflow greater than 500 lpm. Device will meet specifications after thermal equilibrium has been reached under these conditions.

NOTE 1: Measured from  $V_{DD}/2$  of the input to  $V_{DDO}/2$  of the output.

NOTE 2: Driving only one input clock.

NOTE 3: This parameter is defined according with JEDEC Standard 65.

NOTE 4: Defined as skew between outputs at the same supply voltage and with equal load conditions. Measured at  $V_{DDO}/2$ .

NOTE 5: Defined as skew between outputs on different devices operating at the same supply voltage and with equal load conditions.

Using the same type of inputs on each device, the outputs are measured at the differential cross points.

**Table 5D. AC Characteristics,  $V_{DD} = V_{DDO} = 2.5V \pm 5\%$ ,  $T_A = -40^\circ\text{C}$  to  $85^\circ\text{C}$** 

Symbol	Parameter	Test Conditions	Minimum	Typical	Maximum	Units
$f_{MAX}$	Output Frequency				250	MHz
$t_{PLH}$	Propagation Delay, Low-to-High; NOTE 1		1.5	3.0	4.5	ns
$t_{PHL}$	Propagation Delay, High-to-Low; NOTE 1		2.2	2.8	3.4	ns
$f_{jit}$	Buffer Additive Phase Jitter, RMS; refer to Additive Phase Jitter Section; NOTE 2	155.52MHz, Integration Range: 12kHz – 20MHz		0.22		ps
$t_{sk(i)}$	Input Skew; NOTE 3				140	ps
$t_{sk(o)}$	Output Skew: NOTE 4				125	ps
$t_{sk(pp)}$	Part-to-Part Skew; NOTE 3, 5				800	ps
$t_R / t_F$	Output Rise/Fall Time	20% to 80%	300		700	ps
odc	Output Duty Cycle	$f_{OUT} \leq 175\text{MHz}$	40		60	%
$MUX_{ISOLATION}$	MUX Isolation	100MHz		45		dB

See notes in Table 5C above.

**Table 5E. AC Characteristics,  $V_{DD} = 2.5V \pm 5\%$ ,  $V_{DDO} = 1.8V \pm 0.2V$ ,  $T_A = -40^\circ\text{C}$  to  $85^\circ\text{C}$** 

Symbol	Parameter	Test Conditions	Minimum	Typical	Maximum	Units
$f_{MAX}$	Output Frequency				250	MHz
$t_{pLH}$	Propagation Delay, Low-to-High; NOTE 1		2.2	3.2	4.2	ns
$t_{pHL}$	Propagation Delay, High-to-Low; NOTE 1		2.2	3.2	4.0	ns
$t_{jit}$	Buffer Additive Phase Jitter, RMS; refer to Additive Phase Jitter Section; NOTE 2	155.52MHz, Integration Range: 12kHz – 20MHz		0.19		ps
$t_{sk(i)}$	Input Skew; NOTE 3				110	ps
$t_{sk(o)}$	Output Skew: NOTE 4				125	ps
$t_{sk(pp)}$	Part-to-Part Skew; NOTE 3, 5				800	ps
$t_R / t_F$	Output Rise/Fall Time	20% to 80%	450		850	ps
odc	Output Duty Cycle	$f_{OUT} \leq 200\text{MHz}$	40		60	%
$MUX_{ISOLATION}$	MUX Isolation	100MHz		45		dB

NOTE: Electrical parameters are guaranteed over the specified ambient operating temperature range, which is established when device is mounted in a test socket with maintained transverse airflow greater than 500 lfm. Device will meet specifications after thermal equilibrium has been reached under these conditions.

NOTE 1: Measured from  $V_{DD}/2$  of the input to  $V_{DDO}/2$  of the output.

NOTE 2: Driving only one input clock.

NOTE 3: This parameter is defined according with JEDEC Standard 65.

NOTE 4: Defined as skew between outputs at the same supply voltage and with equal load conditions. Measured at  $V_{DDO}/2$ .

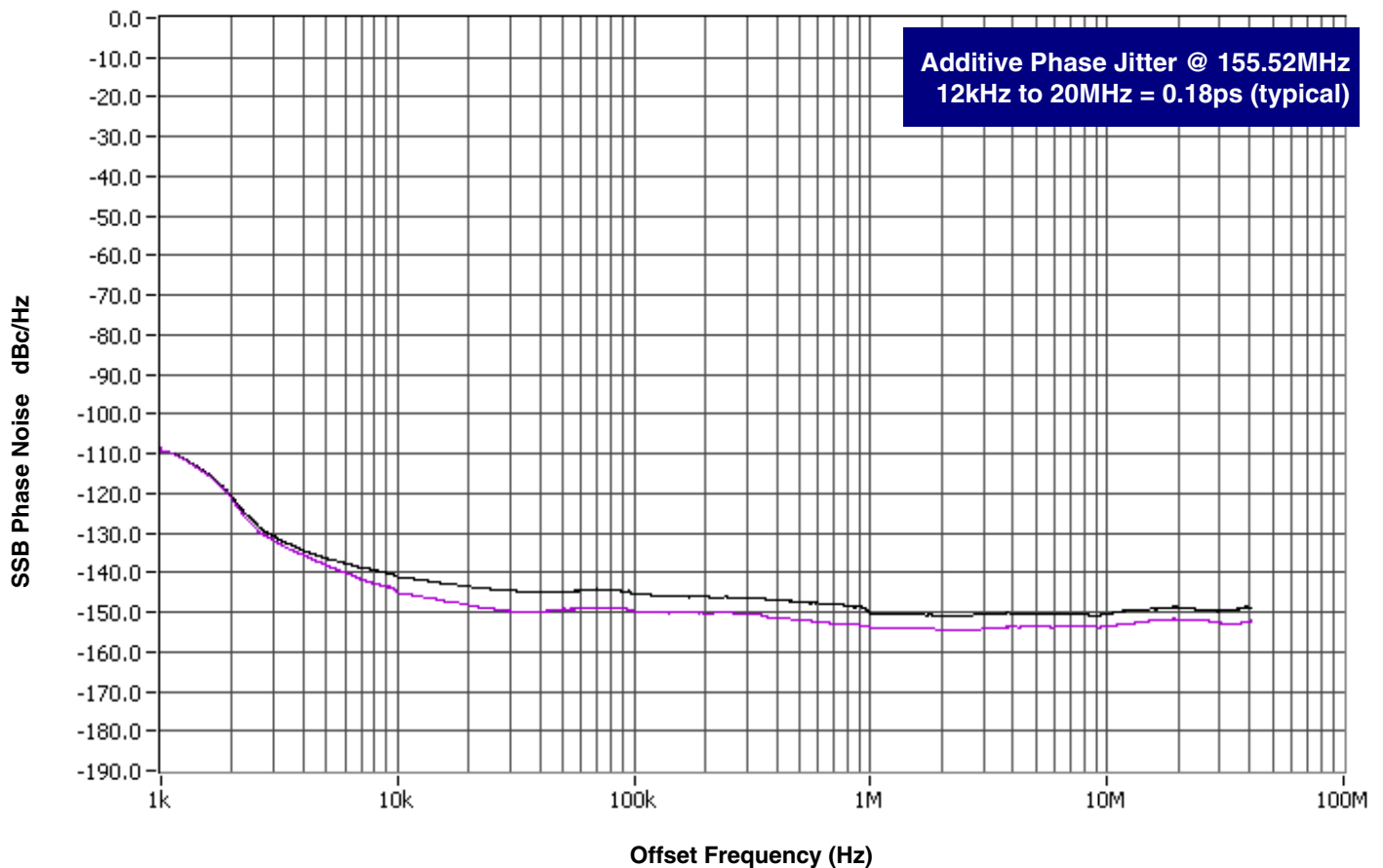
NOTE 5: Defined as skew between outputs on different devices operating at the same supply voltage and with equal load conditions.

Using the same type of inputs on each device, the outputs are measured at the differential cross points.

## Additive Phase Jitter

The spectral purity in a band at a specific offset from the fundamental compared to the power of the fundamental is called the ***dBc Phase Noise***. This value is normally expressed using a Phase noise plot and is most often the specified plot in many applications. Phase noise is defined as the ratio of the noise power present in a 1Hz band at a specified offset from the fundamental frequency to the power value of the fundamental. This ratio is expressed in decibels (dBm) or a ratio of the power in the 1Hz band

to the power in the fundamental. When the required offset is specified, the phase noise is called a ***dBc*** value, which simply means dBm at a specified offset from the fundamental. By investigating jitter in the frequency domain, we get a better understanding of its effects on the desired application over the entire time record of the signal. It is mathematically possible to calculate an expected bit error rate given a phase noise plot.

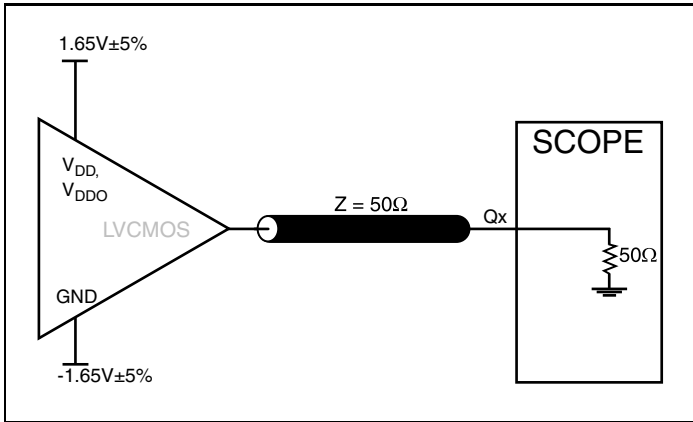


As with most timing specifications, phase noise measurements has issues relating to the limitations of the equipment. Often the noise floor of the equipment is higher than the noise floor of the

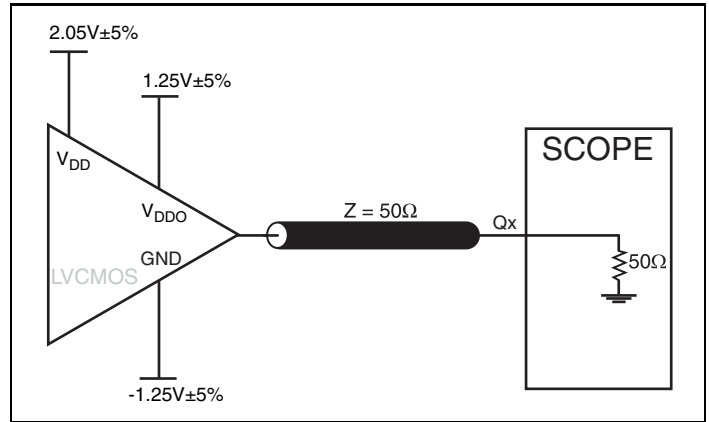
device. This is illustrated above. The device meets the noise floor of what is shown, but can actually be lower. The phase noise is dependent on the input source and measurement equipment.



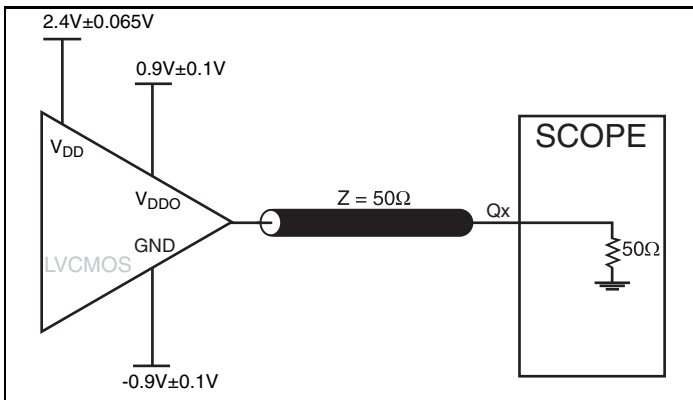
### Parameter Measurement Information



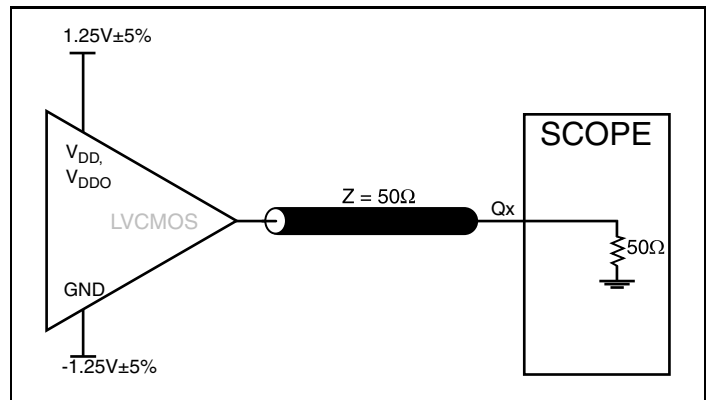
3.3V Output Load AC Test Circuit



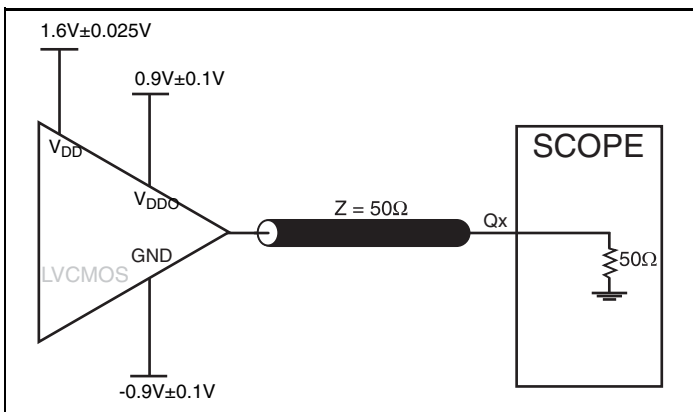
3.3V Core/2.5V Output Load AC Test Circuit



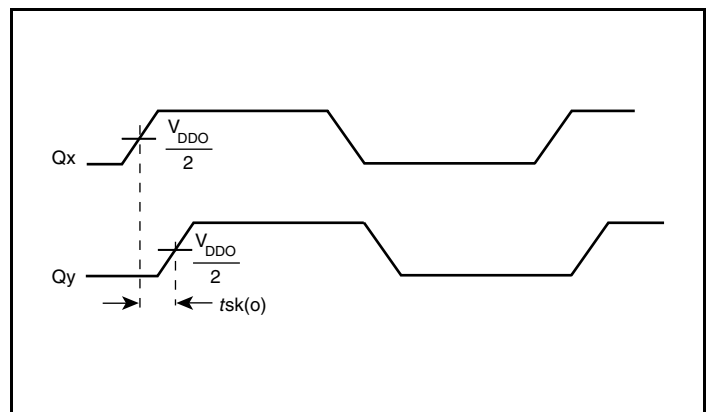
3.3V Core/1.8V Output Load AC Test Circuit



2.5V Core/2.5V Output Load AC Test Circuit

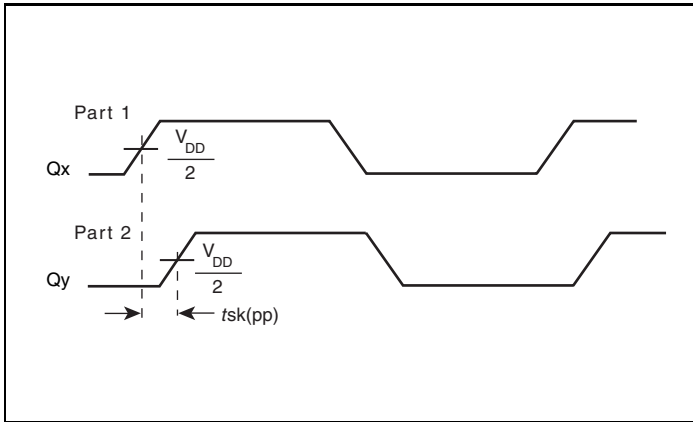


2.5V Core/1.8V Output Load AC Test Circuit

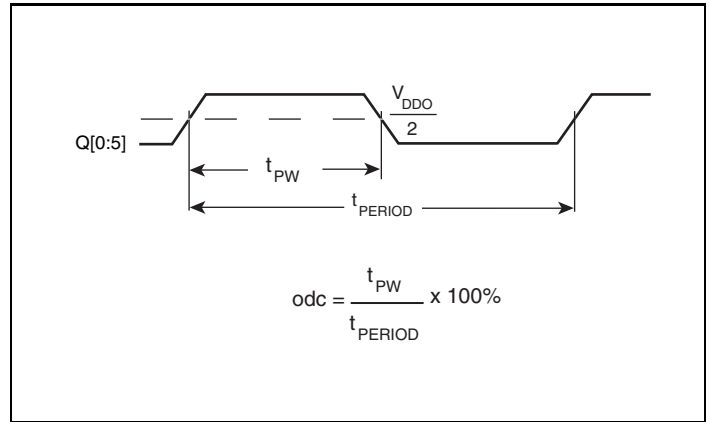


Output Skew

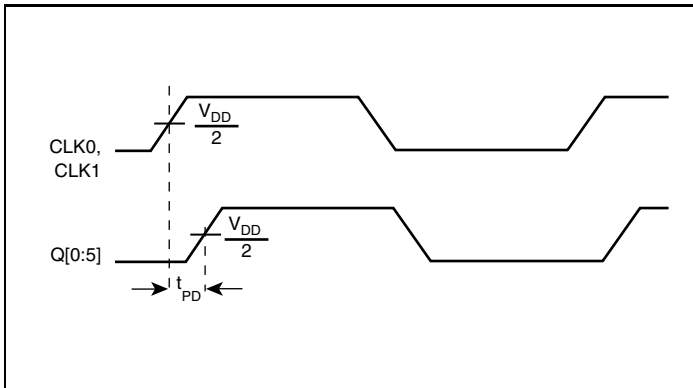
### Parameter Measurement Information, continued



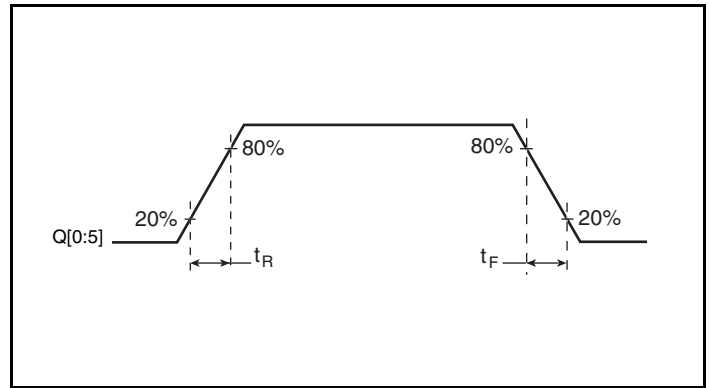
Part-to-Part Skew



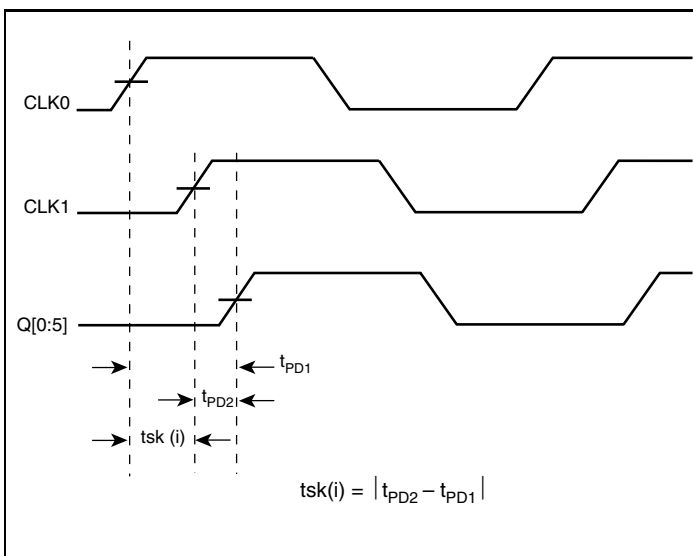
Output Duty Cycle/Pulse Width/Period



Propagation Delay

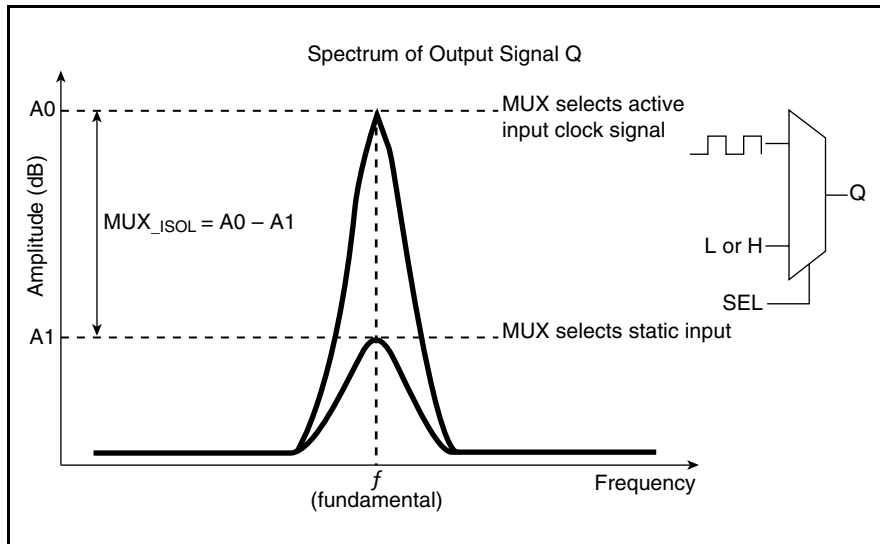


Output Rise/Fall Time



Input Skew

## Parameter Measurement Information, continued



**MUX Isolation**

## Application Information

### Recommendations for Unused Input and Output Pins

#### Inputs:

##### CLK Inputs

For applications not requiring the use of a clock input, it can be left floating. Though not required, but for additional protection, a 1kΩ resistor can be tied from the CLK input to ground.

##### LVCMOS Control Pins

All control pins have internal pullups or pulldowns; additional resistance is not required but can be added for additional protection. A 1kΩ resistor can be used.

#### Outputs:

##### LVCMOS Outputs

All unused LVCMOS output can be left floating. There should be no trace attached.

## Reliability Information

Table 6.  $\theta_{JA}$  vs. Air Flow Table for a 20 Lead TSSOP

$\theta_{JA}$ vs. Air Flow			
Meters per Second	0	1	2.5
Multi-Layer PCB, JEDEC Standard Test Boards	91.1°C/W	86.7°C/W	84.6°C/W

## Transistor Count

The transistor count for ICS83056I-01 is: 967

## Package Outline and Package Dimensions

Package Outline - G Suffix for 20 Lead TSSOP

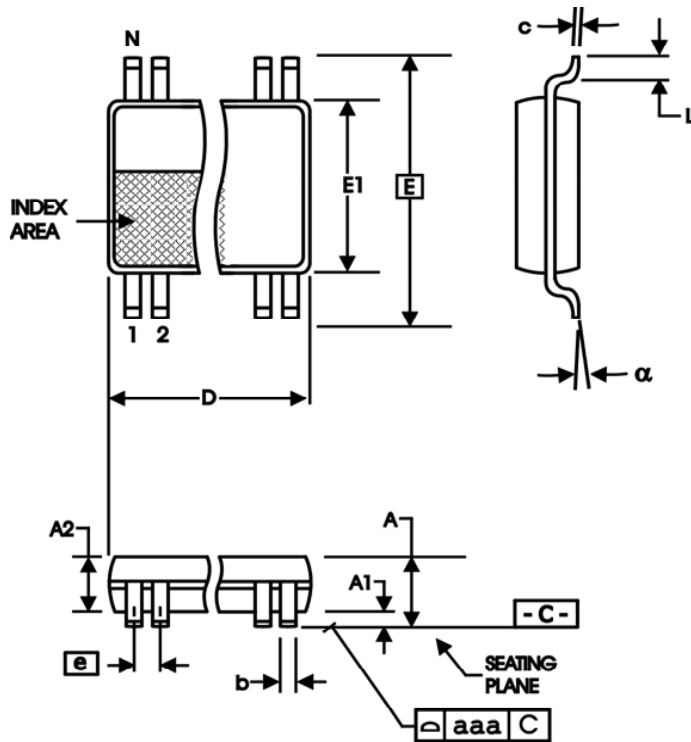


Table 7. Package Dimensions

All Dimensions in Millimeters		
Symbol	Minimum	Maximum
N	20	
A		1.20
A1	0.05	0.15
A2	0.80	1.05
b	0.19	0.30
c	0.09	0.20
D	6.40	6.60
E	6.40 Basic	
E1	4.30	4.50
e	0.65 Basic	
L	0.45	0.75
$\alpha$	0°	8°
aaa		0.10

Reference Document: JEDEC Publication 95, MO-153

## Ordering Information

Table 9. Ordering Information

Part/Order Number	Marking	Package	Shipping Packaging	Temperature
83056AGI-01	ICS83056AI01	20 Lead TSSOP	Tube	-40°C to 85°C
83056AGI-01T	ICS83056AI01	20 Lead TSSOP	2500 Tape & Reel	-40°C to 85°C
83056AGI-01LF	ICS3056AI01L	"Lead-Free" 20 Lead TSSOP	Tube	-40°C to 85°C
83056AGI-01LFT	ICS3056AI01L	"Lead-Free" 20 Lead TSSOP	2500 Tape & Reel	-40°C to 85°C

NOTE: Parts that are ordered with an "LF" suffix to the part number are the Pb-Free configuration and are RoHS compliant.

While the information presented herein has been checked for both accuracy and reliability, Integrated Device Technology (IDT) assumes no responsibility for either its use or for the infringement of any patents or other rights of third parties, which would result from its use. No other circuits, patents, or licenses are implied. This product is intended for use in normal commercial and industrial applications. Any other applications, such as those requiring high reliability or other extraordinary environmental requirements are not recommended without additional processing by IDT. IDT reserves the right to change any circuitry or specifications without notice. IDT does not authorize or warrant any IDT product for use in life support devices or critical medical instruments.

**Contact Information:**

**www.IDT.com**

**Sales**

800-345-7015 (inside USA)  
+408-284-8200 (outside USA)  
Fax: 408-284-2775  
[www.IDT.com/go/contactIDT](http://www.IDT.com/go/contactIDT)

**Technical Support**

[netcom@idt.com](mailto:netcom@idt.com)  
+480-763-2056

**Corporate Headquarters**

Integrated Device Technology, Inc.  
6024 Silver Creek Valley Road  
San Jose, CA 95138  
United States  
800-345-7015 (inside USA)  
+408-284-8200 (outside USA)