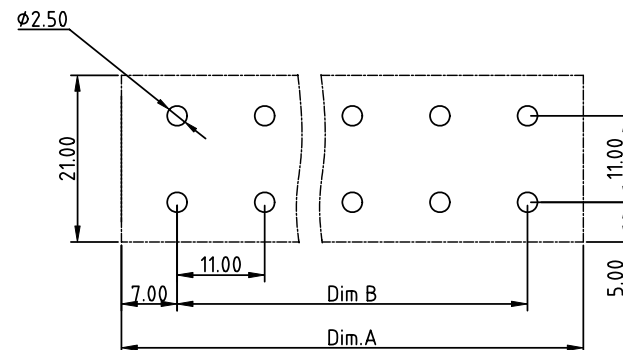
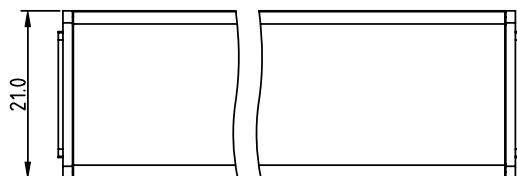
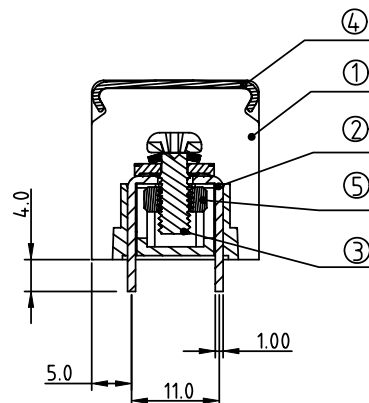
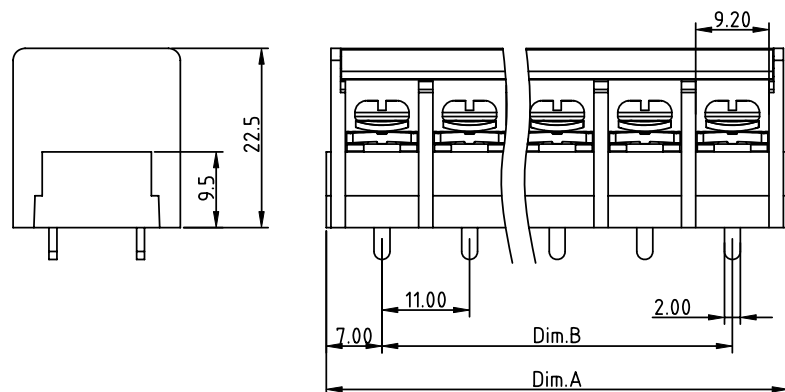




PRODUCT NUMBER	PITCH
YK70Axx2x0J0G	11.00mm



RECOMMENDED P.C.B LAYOUT TOP VIEW



MATERIALS & ELECTRICAL
RATED VOLTAGE & CURRENT: 300 V, 40A(B Code)/ 600V, 5A(D Code)
WITHSTAND VOLTAGE: AC 2500 V/Min
INSULATION RESISTANCE: 1000 MΩ OR MORE AT DC 1000 V
OPERATING TEMPERATURE RANG: -40 °C ~ +115°C
SCREW TORQUE VALUE: 16Lb-in.
WIRE RANGE: 18 - 8AWG
1) HOUSING: THERMOPLASTICS, UL94-V0 BLACK
2) TERMINAL: BRASS, 1.0t
3) TERMINAL SCREWS: STEEL, M4.0
4) COVER: PC
5) TERMINAL NUT: STEEL, M4.0
APPROVAL: US

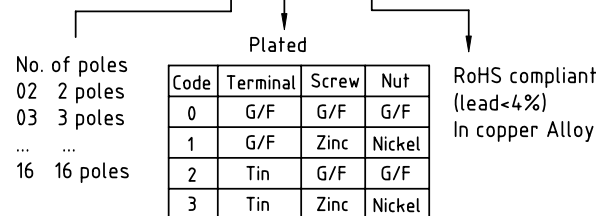
DIMENSION

Dim A	N×11.00±3.0
Dim B	(N-1)×11.0

N=Number of poles

Poles	Tolerance
2p-8p	±0.40
9p-16p	±0.50

PART NO.: YK 70Axx 2 x 0 JOG



mat'l. code		surface ASME Y14.5 ✓	tolerance ASME Y14.5	projection 	product family TERMINAL BLOCK
ltr	ecn no	dr	date	tolerances unless otherwise specified	title TERMINAL BLOCK
				angles 0° 15° 30° 45° 60° 90° 120° 150° 180°	BARRIER TYPE, WITH COVER
				X'±1"	scale
				dr EVAN LU 061114	FCI
				enr EVAN LU 061114	dwg no YK70Axx2x0J0G
				chr HANKE FENG 061114	sheet 1 of 1 size A4
				appd SHI JUN 061114	type CUSTOMER Drawing
sheet index	revision sheet	A	1		