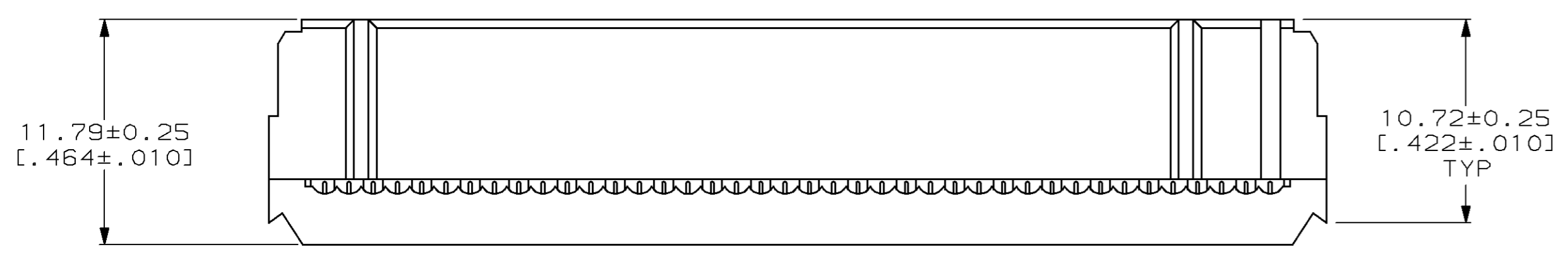
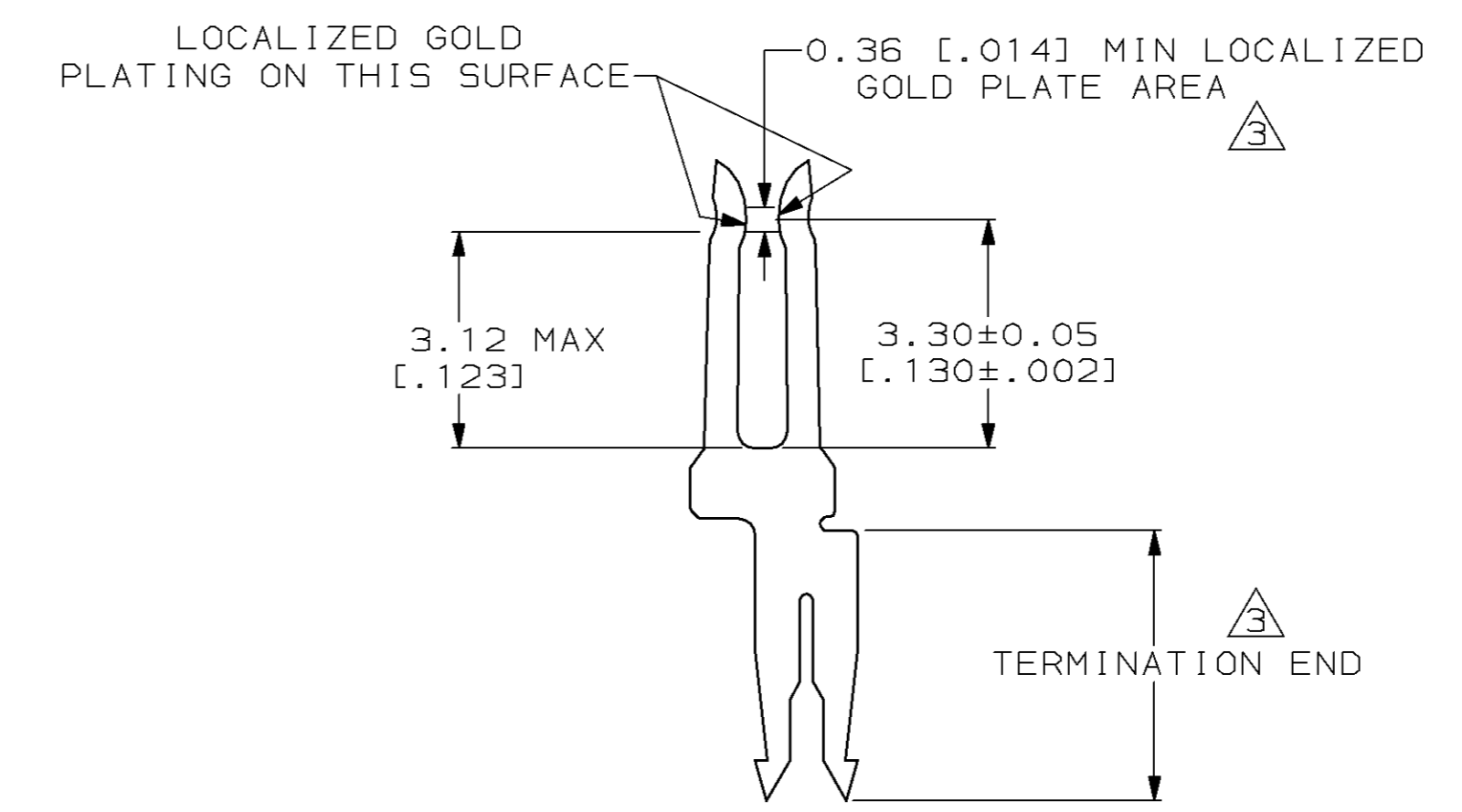


LOC		DIST		REV		REVISIONS		
AR	35	P	F	ZONE	LTR	DESCRIPTION	DATE	APPD
				0		RLSE PER NPR 4310 WAS 92-5730-2	8-14-92	-
				A		REV PER EC 0020-1041-93	12/03/93	JS

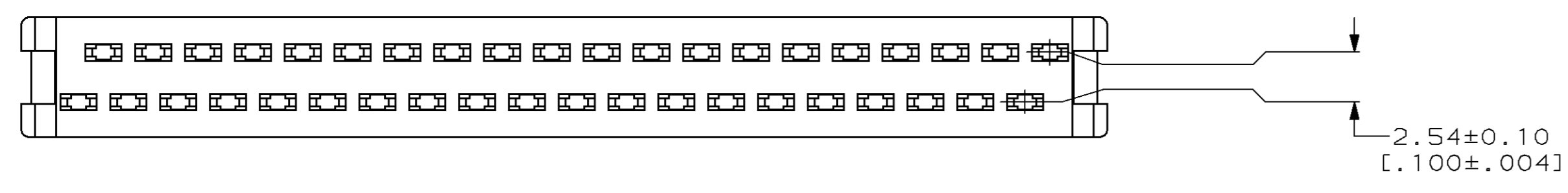
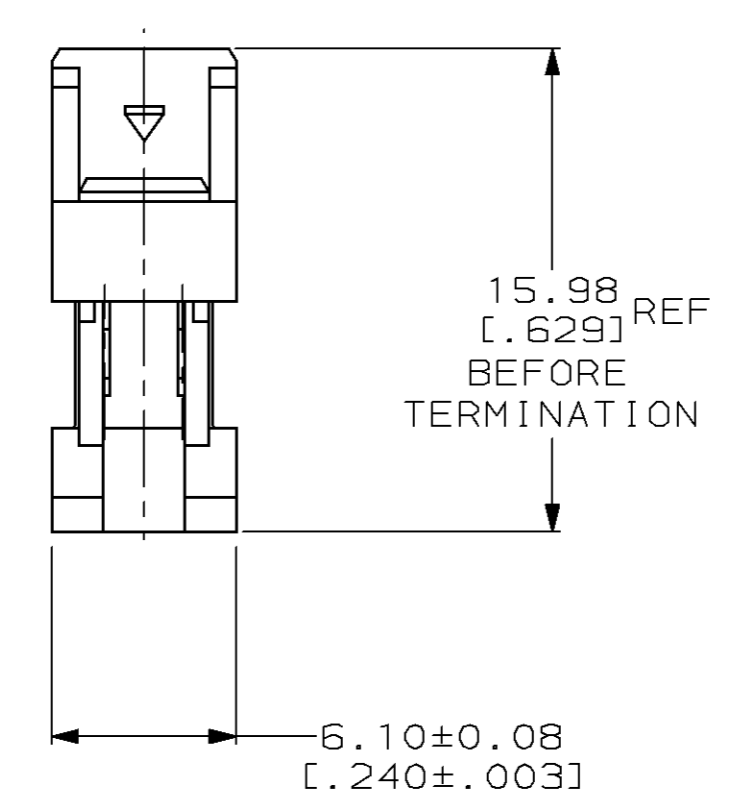
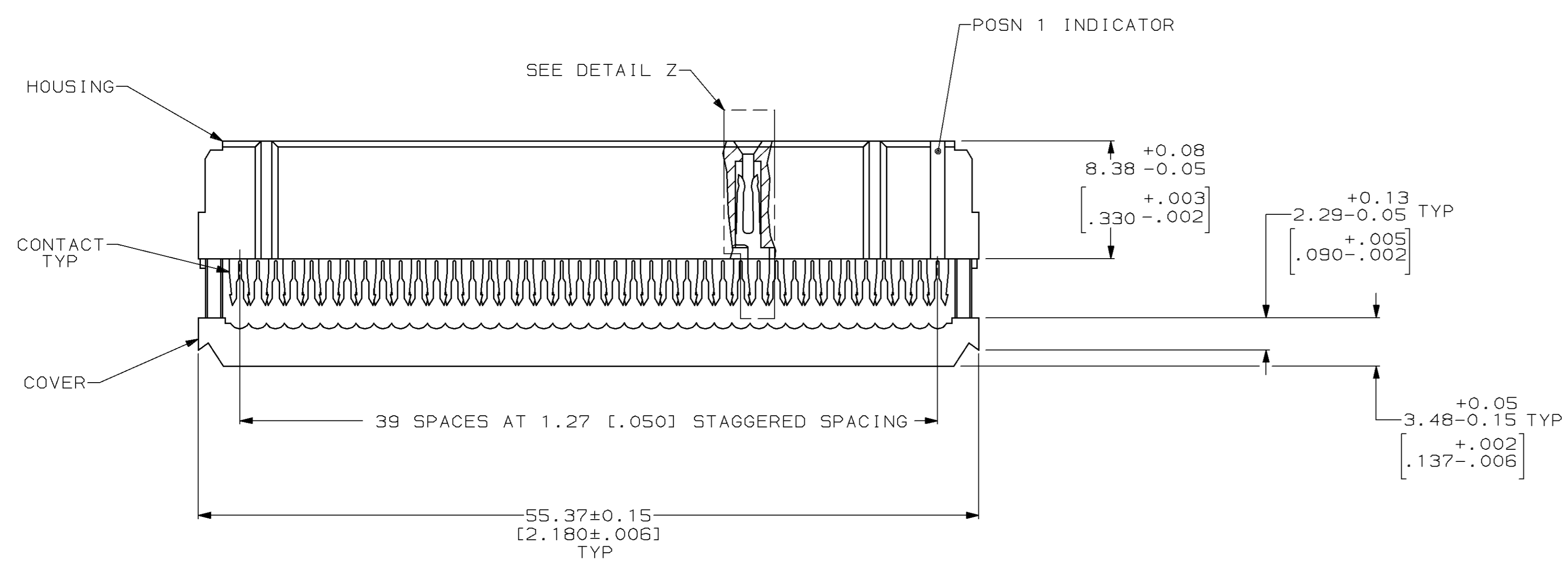
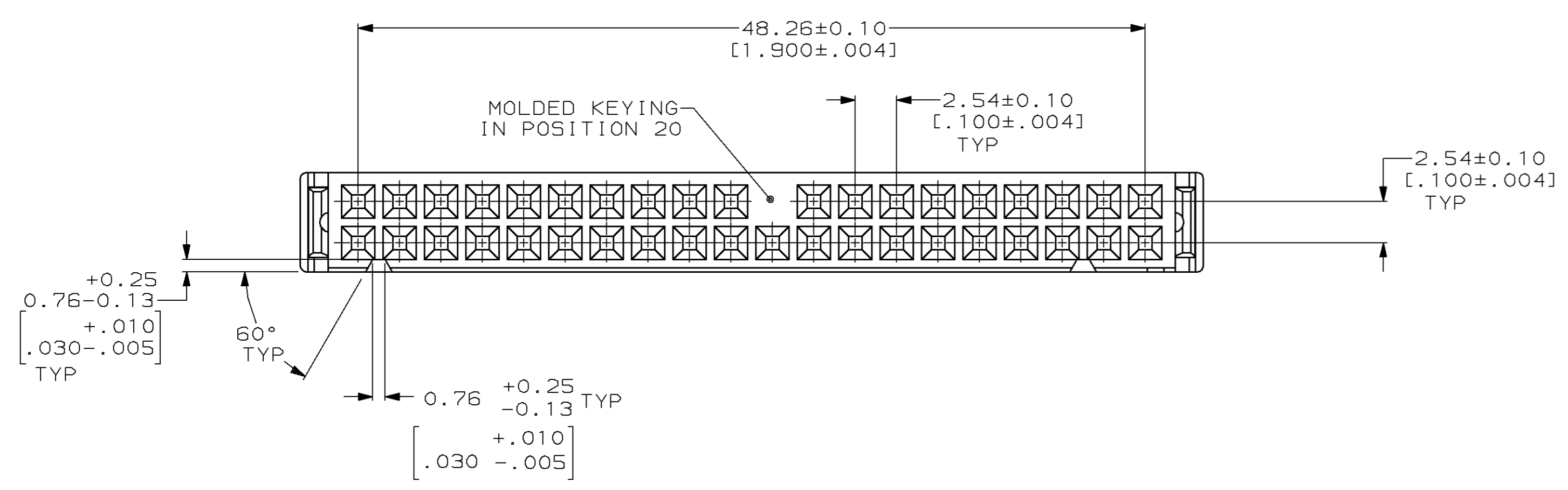


TERMINATED VIEW

- 1 POLYESTER PBT, BLACK, UL RATED 94V-1 OR BETTER.
- 2 PHOSPHOR BRONZE PER QQ-B-750.
- 3 0.38µm [.000015] MIN GOLD ON LOCALIZED GOLD PLATE AREA, 2.54µm [.000100] MIN TIN-LEAD ON TERMINATION END, ALL OVER 1.27µm [.000050] MIN NICKEL ON ENTIRE CONTACT.



DETAIL Z  
SCALE 10:1  
TYPICAL



DO NOT SCALE PRINT. UNLESS SPECIFIED DIMENSIONS IN mm [INCHES]		DR 8-14-92 H MOLL	40 NO OF POSN		111655-1 PART NO	
TOLERANCES ON: 2 PLC DEC ±0.13 [.005] 3 PLC DEC ± - ANGLES ± 4°		CHK 8-17-92 R STONE	<b>AMP</b> AMP Incorporated Harrisburg, PA 17105-3608 NAME RECEPTACLE ASSY, MILITARY POLARIZATION, NOV0, AMP-LATCH™			
MATERIAL HOUSING & COVER: 1 CONTACTS: 2		APPD 8-17-92 J STINE				
FINISH CONTACTS: 3		APPD 8-17-92 D HOFFMAN	PRODUCT SPEC 108-40000	SIZE D	CAGE CODE 00779	DRAWING NO 111655
THIS DRAWING IS A CONTROLLED DOCUMENT FOR AMP INCORPORATED. IT IS SUBJECT TO CHANGE AND THE CONTROLLING ENGINEERING ORGANIZATION SHOULD BE CONTACTED FOR THE LATEST REVISION.		APPLICATION SPEC 114-40005	WEIGHT -	SCALE 4:1	SHEET 1 OF 1	CUSTOMER DRAWING