

**CHEMINAX**

50 OHM, AWG 26, 7 STRANDS OF AWG 34, COAXIAL CABLE

**Date:** 6-9-88

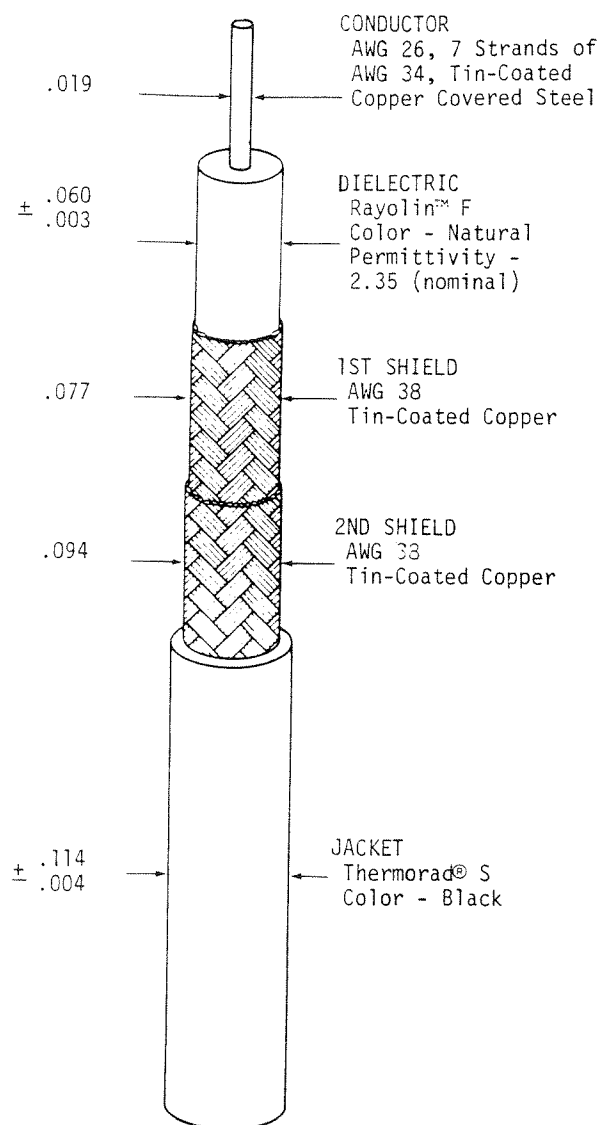
**Revision:** A

COMPLETE REVISION

THIS SPECIFICATION SHEET FORMS A PART OF THE LATEST ISSUE OF RAYCHEM SPECIFICATION 1200.

**CONSTRUCTION DETAILS**

DIMENSIONS ARE NOMINAL VALUES IN INCHES UNLESS OTHERWISE DESIGNATED.



Designate outer jacket color with a dash number in accordance with MIL-STD-681.

**ELECTRICAL CHARACTERISTICS**

CHARACTERISTIC IMPEDANCE	50 ± 2 ohms, Method A
CAPACITANCE	31.2 pF/ft. (nominal)
VELOCITY OF PROPAGATION	65% (nominal)

**ADDITIONAL REQUIREMENTS**

ELECTRICAL

CONDUCTOR RESISTANCE	101. ohms/1000 ft. (nominal)
INSULATION RESISTANCE	10,000 megohms (minimum) for 1000 ft.
JACKET FLAWS	
SPARK TEST	1.0 kV, 60 Hz (rms)
IMPULSE TEST	6.0 kV (peak)
PARTIAL DISCHARGE (CORONA)	850 volts (minimum)
VOLTAGE WITHSTAND (DIELECTRIC)	1000 volts (minimum)

ENVIRONMENTAL

AGING STABILITY	135°C/-55°C/3.25 inch mandrel
FLAMMABILITY	Method C
HEAT SHOCK	225°C
LOW TEMPERATURE - COLD BEND	-55°C/3.25 inch mandrel

PHYSICAL

INSULATION (DIELECTRIC)	
ELONGATION	200% (minimum)
TENSILE STRENGTH	1800 psi (minimum)
JACKET	
ELONGATION	250% (minimum)
TENSILE STRENGTH	2000 psi (minimum)
JACKET THICKNESS	.010 inch (nominal)
SHIELD COVERAGE (EACH)	90% (minimum)

WEIGHT	12.2 lbs/1000 ft. (nominal)
--------	-----------------------------

**Raychem**

Raychem Corporation  
300 Constitution Drive  
Menlo Park, California 94025  
415) 361 3333 TWX 910 373 1205

THIS SPECIFICATION SHEET TAKES PRECEDENCE OVER DOCUMENTS REFERENCED HEREIN. REFERENCE DOCUMENTS SHALL BE OF THE ISSUE IN EFFECT ON DATE OF INVITATION FOR BID.