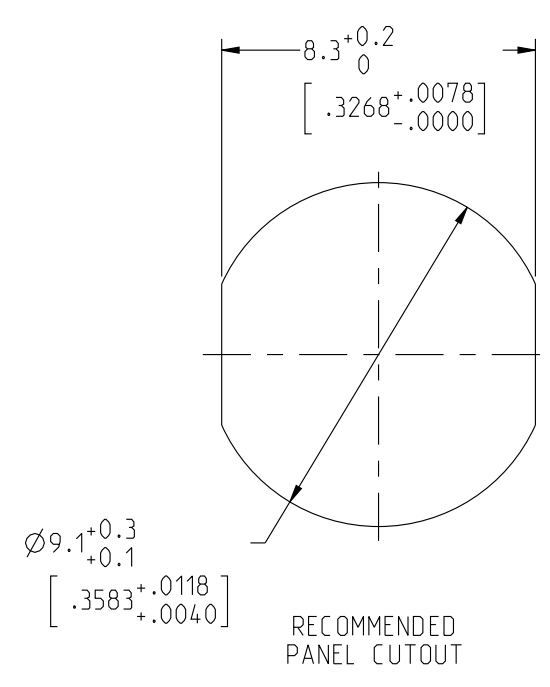
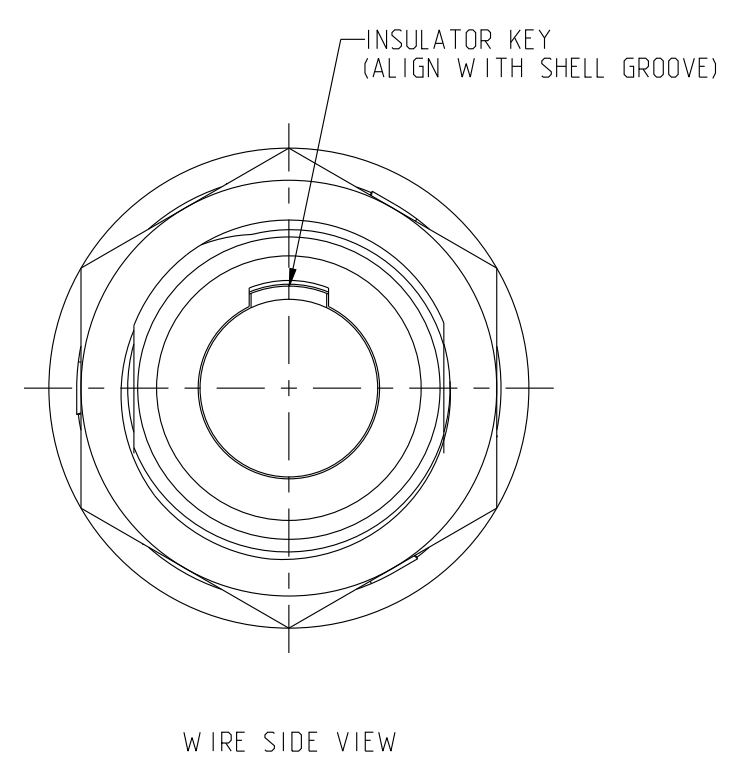
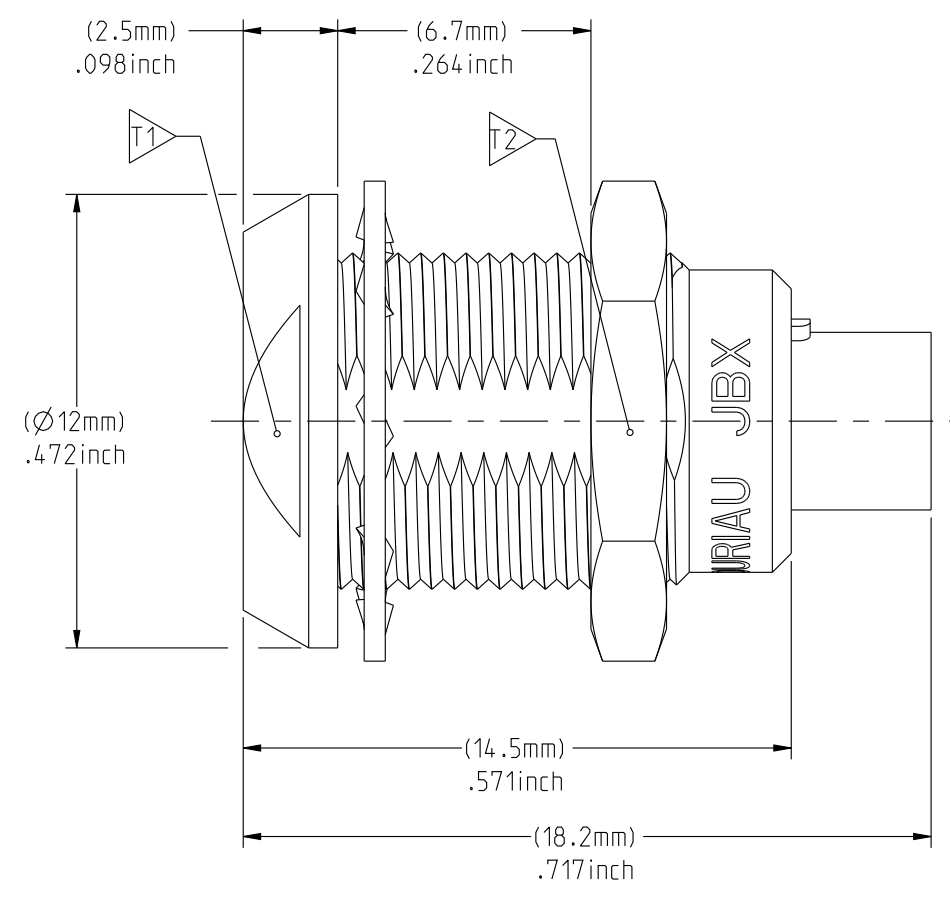
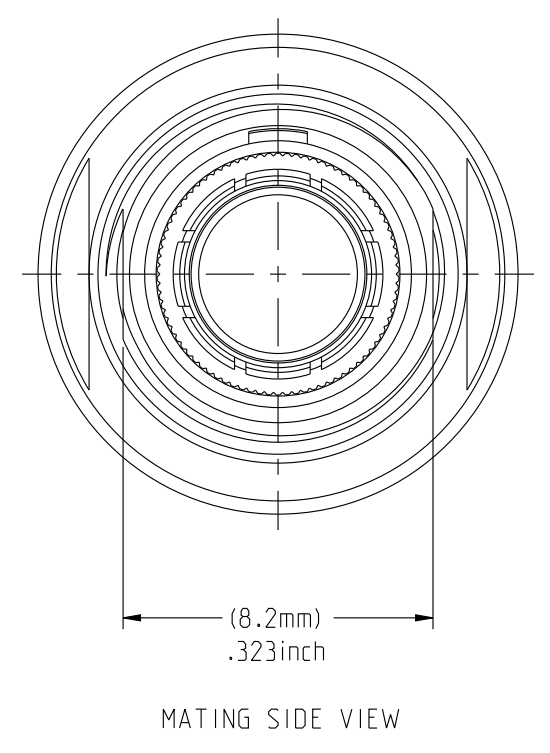


THIS DRAWING IS A CONTROLLED DOCUMENT FOR SOURIAU USA, INC. IT IS SUBJECT TO CHANGE WITHOUT NOTIFICATION. CONTACT THE DOCUMENT CONTROL CENTER FOR THE LATEST REVISION.

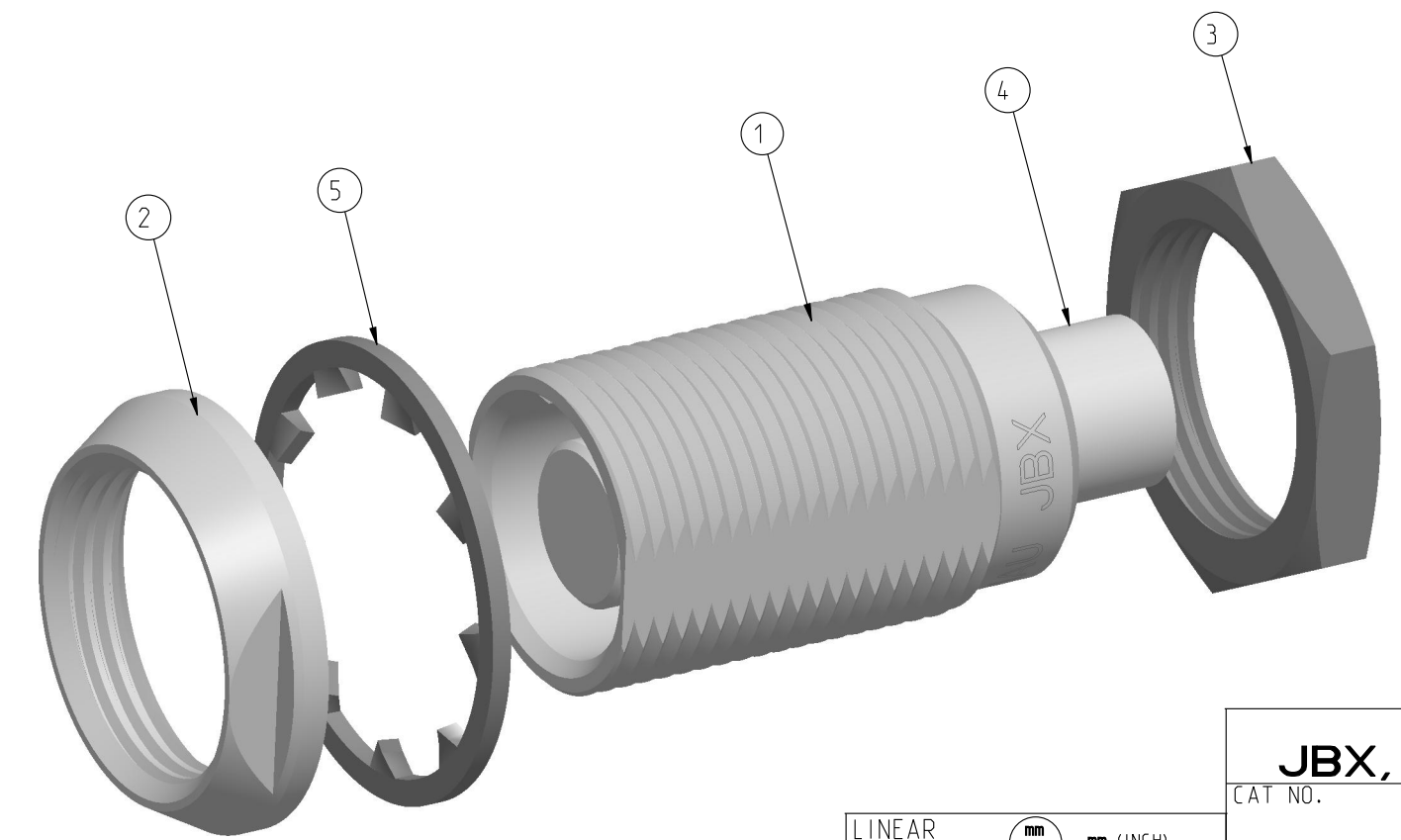
ELECTRICAL:
 EMI SHIELDING : SHIELDED FOR THE RANGE 55dB UP TO 100MHz
 INSULATION RESISTANCE : >500MΩ PER ANSI-EIA-364-D METHOD 21
 MAX. CURRENT RATING : SEE INSULATOR DRAWING
 CONNECTOR TESTING : SEE INSULATOR DRAWING
 CONNECTOR WORKING : SEE INSULATOR DRAWING
ENVIRONMENTAL:
 ENDURANCE: 1000 CYCLES AS PER MIL-STD 1344A, METHOD 2016.1
 SHOCK: 50 g , DURATION 6 ms; AS PER MIL-STD 1344A, METHOD 2004.1
 VIBRATIONS: 10 TO 2000Hz g = 20g, AS PER MIL-STD 1344A, METHOD 2005.1
 PROTECTION INDEX: IP 40 AS PER IEC 529
 ROHS COMPLIANT
 SALT MIST : 48Hr PER SAE AS 1344 METHOD 1001.1 CEI 529
 OPERATING TEMPERATURE: -55°C TO +125°C (-67°F TO +257°F)



NOTES:
MATERIAL:
 OUTER SHELL & PANEL NUT : BRASS
 SHIELD RING & NUT :
FINISH:
 OUTER SHELL & PANEL NUT : CHROME
 OTHER BRASS PARTS : NICKEL
TOOLS



PART LIST	
ITEM NO.	DESCRIPTION
1	SHELL
2	PANEL NUT
3	HEX NUT
4	INSULATOR
5	LOCK WASHER



	TOOLS (JAW DIMENSION)	ADVISED TORQUE IN Nm
T1	10	0.7
T2	11	0.7

CATALOG NUMBER DESCRIPTION
JBX EA 0 XXXXXDX -
BASIC SERIES _____ **OPTION**
SHELL TYPE _____ **INSERT MATERIAL**
SHELL SIZE _____ **COLLET OPTION**
KEYING _____ **SURFACE PLATING**
SEE INSULATOR DRAWING

ORIGIN	COUNTRY	JURISDICTION	CLASSIFICATION
X	FR	Not listed	N/A
	US	EAR	ECCN =EAR99

These commodities, technology or software are exported from the United States in accordance with the Export Administration Regulations. Diversion contrary to U.S. law is prohibited.

LINEAR MEASURE:	mm (INCH)
THIRD ANGLE PROJECTION	
TOLERANCES UNLESS OTHERWISE SPECIFIED	
No. OF PLACES	mm [INCH]
WHOLE No.	±0.5 [±.02]
ONE PLACE	±0.2 [±.008]
TWO PLACES	±0.1 [±.004]
ANGLES ±1°	

DRAWING TITLE
JBX, SIZE 0, DOUBLE NUT RECEPTACLE
 CAT NO. **JBXEA0**
 CAGE NO: 09922 SIZE: C

CUSTOMER
 INTERPRET THIS DRAWING IN ACCORDANCE WITH ASME Y14.5M - 1994.

SOURIAU
 WWW.SOURIAU.COM

APPROVAL
 DRAWN: TJS 01-07-15
 CHKD : EV 01-07-15
 DSGN : EV 01-07-15
 MFG : DH 01-07-15
 QC : BB 01-07-15
 DRAWING SCALE: 5:1
 DRAWING NO. **JBXEAOC** REV **A**

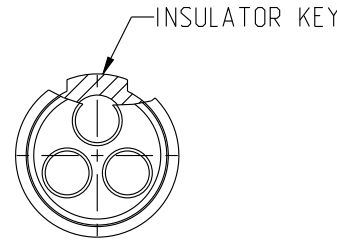
1 OF 1

THE INFORMATION CONTAINED IN THIS DRAWING IS CONFIDENTIAL AND MAY NOT BE DISCLOSED WITHOUT WRITTEN CONSENT FROM SOURIAU USA, INC.

DWG. NO.
JBX0INSFSC

FEMALE INSULATOR, SOLDER CONTACT

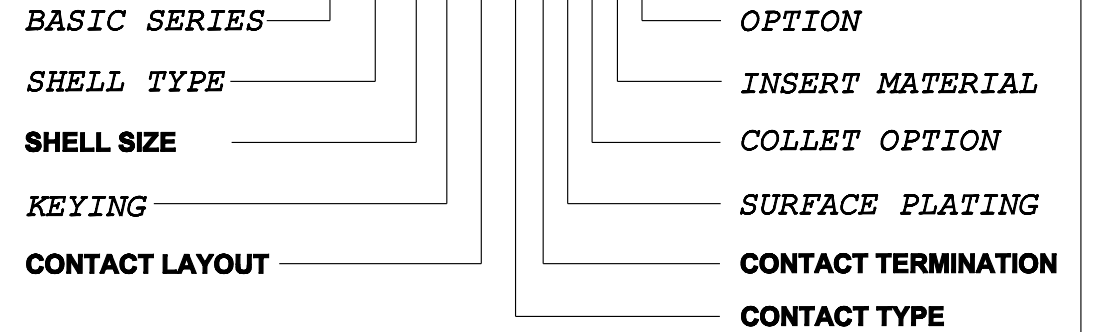
CONTACT LAYOUT	02	03	04
FRONT SIDE VIEW			
REAR SIDE VIEW			
CONTACT			
ISO VIEW			
CONTACT	ØC	0.9	0.7
	ØF	0.8	0.81
	MAX. AWG	24	22
	MAX. CURRENT RATING (A)	10	7
INSULATOR	CONTACT RESISTANCE (mΩ)	3.5	5
	NUMBER OF CAVITY	2	4
	MAX. CURRENT RATING	10	7
	TEST VOLTAGE (Vrms)	1400	1350
WORKING VOLTAGE (Vdc/Vrms)	660/460	600/420	660/460



CONTACT TYPE : F (FEMALE)
CONTACT TERMINATION : S (SOLDER)
MATERIAL :
 CONTACT: CUPRO-NICKEL
 CLIP: COPPER ALLOY
 INSULATOR: PEEK
FINISH:
 CONTACTS : GOLD

CATALOG NUMBER DESCRIPTION

JBXXX 0 X YY F S XXXX



B	REVISED PER ECN 12286	RSK 06-10-15	EV 06-10-15
A	RELEASED PER ECN 12264	TJS 03-10-15	EV 03-10-15
REV	DESCRIPTION	BY DATE	CHKD DATE

DRAWING TITLE
JBX, SIZE 0, FEMALE INSULATOR, SOLDER CONTACT

CAT NO. **JBX0INSF5**

CAGE NO: 09922 SIZE: B

CUSTOMER	SOURIAU	APPROVAL	DRAWN: TJS	02-04-15
			CHKD : EV	02-04-15
INTERPRET THIS DRAWING IN ACCORDANCE WITH ASME Y14.5M - 1994.	WWW.SOURIAU.COM		DSGN : EV	02-04-15
			MFG : DH	02-04-15
			QC : BB	02-04-15
			DRAWING SCALE: NA	
			DRAWING NO.	REV
			JBX0INSF5C	B
			1 OF 2	

ORIGIN	COUNTRY	JURISDICTION	CLASSIFICATION
X	FR	Not listed	N/A
	US	EAR	ECCN =EAR99

These commodities, technology or software are exported from the United States in accordance with the Export Administration Regulations. Diversion contrary to U.S. law is prohibited.

LINEAR MEASURE: $\frac{mm}{INCH}$ mm (INCH)

THIRD ANGLE PROJECTION

TOLERANCES UNLESS OTHERWISE SPECIFIED

No. OF PLACES	mm [INCH]
ONE PLACE	±3 [±.1]
TWO PLACES	±0.5 [±.02]
THREE PLACES	±0.25 [±.010]

ANGLES ±1°

THIS DRAWING IS A CONTROLLED DOCUMENT FOR SOURIAU USA, INC. IT IS SUBJECT TO CHANGE WITHOUT NOTIFICATION. CONTACT THE DOCUMENT CONTROL CENTER FOR THE LATEST REVISION.

THE INFORMATION CONTAINED IN THIS DRAWING IS CONFIDENTIAL AND MAY NOT BE DISCLOSED WITHOUT WRITTEN CONSENT FROM SOURIAU USA, INC.

B

A

DWG. NO.
JBXOINSFSC

CONTACT LAYOUT	05	06	07	08
FRONT SIDE VIEW				
REAR SIDE VIEW				
CONTACT				
ISO VIEW				

	CONTACT				
	05	06	07	08	
ØC	0.7	0.5	0.5	0.5	
ØF	0.81	0.5	0.5	0.5	
MAX. AWG	22	28	28	28	
MAX. CURRENT RATING (A)	7	5	5	5	
CONTACT RESISTANCE (mΩ)	5	10	10	10	
NUMBER OF CAVITY	5	6	7	8	
INSULATOR	MAX. CURRENT RATING	6.5	2.5	2	
	TEST VOLTAGE (Vrms)	800	680	680	
	WORKING VOLTAGE (Vdc/Vrms)	400/260	320/220	320/220	190/130

THIS DRAWING IS A CONTROLLED DOCUMENT FOR SOURIAU USA, INC. IT IS SUBJECT TO CHANGE WITHOUT NOTIFICATION. CONTACT THE DOCUMENT CONTROL CENTER FOR THE LATEST REVISION.

THE INFORMATION CONTAINED IN THIS DRAWING IS CONFIDENTIAL AND MAY NOT BE DISCLOSED WITHOUT WRITTEN CONSENT FROM SOURIAU USA, INC.

B

A

DRAWING TITLE
JBX, SIZE O, FEMALE INSULATOR, SOLDER CONTACT

CAT NO. **JBXOINSFS**

CAGE NO: 09922 SIZE: B

CUSTOMER	SOURIAU	APPROVAL	DRAWN: TJS 02-04-15
			CHKD : EV 02-04-15
			DSGN : EV 02-04-15
			MFG : DH 02-04-15
			QC : BB 02-04-15
			DRAWING SCALE: NA
			DRAWING NO. REV
			JBXOINSFSC B
			2 OF 2

INTERPRET THIS DRAWING IN ACCORDANCE WITH ASME Y14.5M - 1994.

WWW.SOURIAU.COM

ORIGIN	COUNTRY	JURISDICTION	CLASSIFICATION
X	FR	Not listed	N/A
	US	EAR	ECCN =EAR99

These commodities, technology or software are exported from the United States in accordance with the Export Administration Regulations. Diversion contrary to U.S. law is prohibited

LINEAR MEASURE: $\frac{mm}{INCH}$ mm (INCH)

THIRD ANGLE PROJECTION

TOLERANCES UNLESS OTHERWISE SPECIFIED

No. OF PLACES	mm [INCH]
ONE PLACE	±3 [±.1]
TWO PLACES	±0.5 [±.02]
THREE PLACES	±0.25 [±.010]

ANGLES ±1°