

# SPECIFICATIONS

| PARAMETERS              | VALUES     | UNITS       |
|-------------------------|------------|-------------|
| RATED VOLTAGE           | 5.0        | Vdc         |
| OPERATING VOLTAGE RANGE | 4.0 ~ 7.0  | Vdc         |
| RATED CURRENT (MAX)     | 30         | mA          |
| MINIMUM SPL @ 10 CM     | 80         | dBA         |
| RESONANT FREQUENCY      | 2700 ± 300 | Hz          |
| TONE OR PULSE RATE      | CONTINUOUS | 0 pulse/sec |
| OPERATING TEMPERATURE   | -40 ~ +85  | °C          |
| STORAGE TEMPERATURE     | -40 ~ +85  | °C          |
| HOUSING MATERIAL        | PPS        | -           |
| TERMINAL MATERIAL       | Sn plated  | -           |
| WEIGHT                  | 1.5        | grams       |

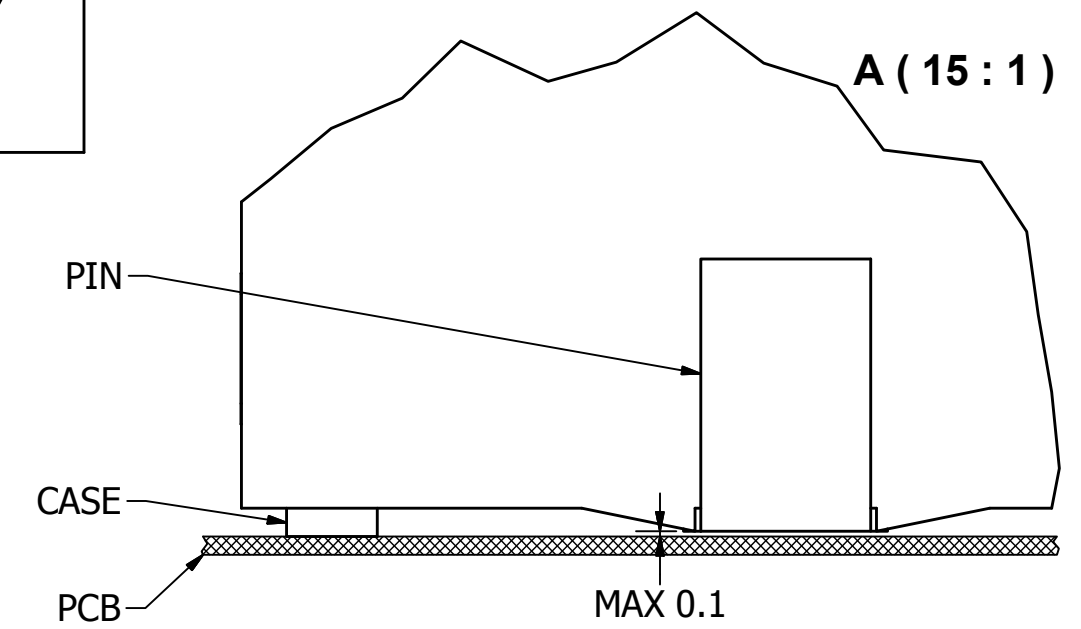
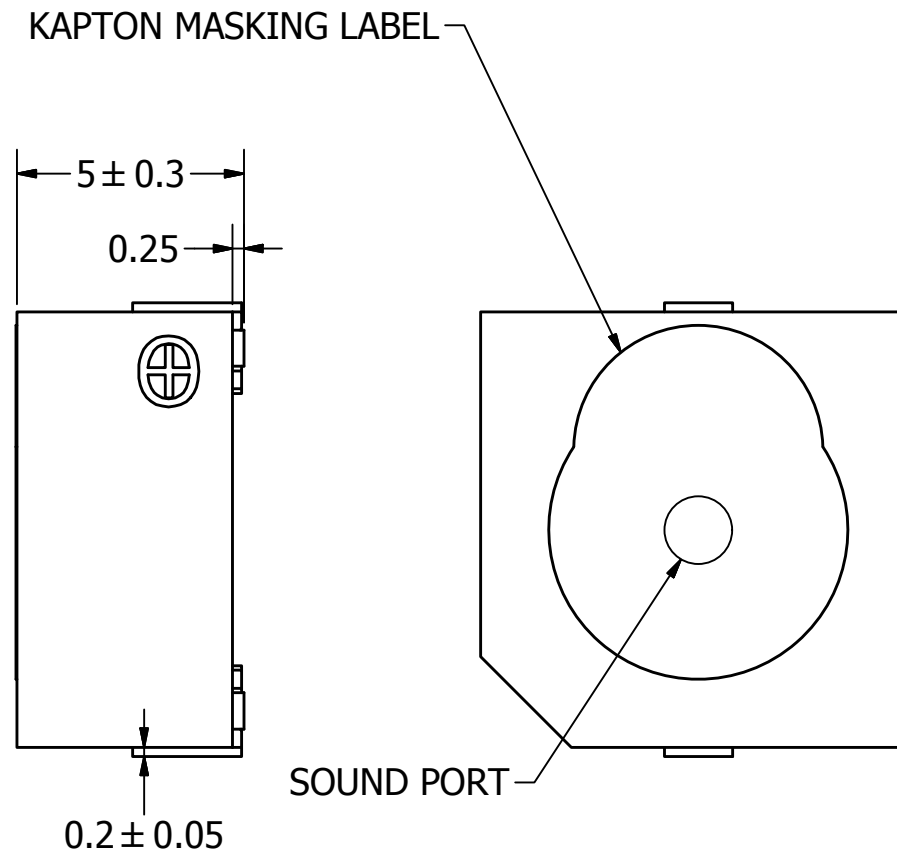
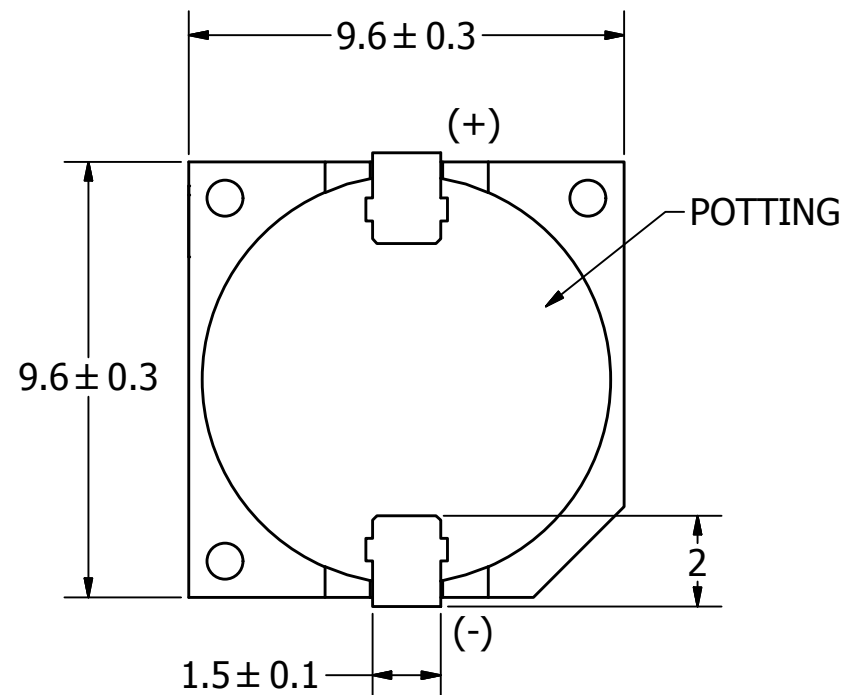
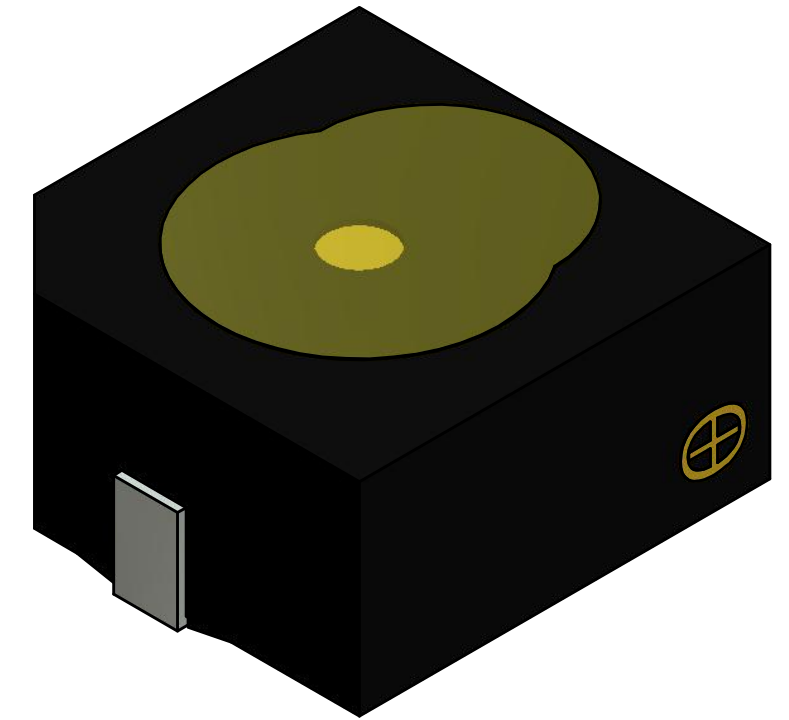
ALL PURCHASES ARE SUBJECT TO THE PUI AUDIO TERMS AND CONDITIONS SALE FOUND AT [http://www.puiaudio.com/pdf/terms\\_conditions.pdf](http://www.puiaudio.com/pdf/terms_conditions.pdf) (paper copy available upon request).

THIS DOCUMENT CONTAINS DATA PROPRIETARY TO PROJECTS UNLIMITED, INC. ANY USE OR REPRODUCTION, IN ANY FORM, WITHOUT PRIOR WRITTEN PERMISSION OF PROJECTS UNLIMITED, INC. IS PROHIBITED.

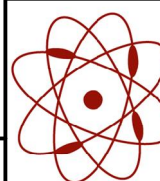
©2003, Projects Unlimited Inc.

# REVISION HISTORY

| LTR | DESCRIPTION               | DATE       | APPROVED |
|-----|---------------------------|------------|----------|
| -   | RELEASED FROM ENGINEERING | 11/11/2014 |          |



- NOTES:**
1. ALL DIMENSIONS ARE IN MILLIMETERS.
  2. SPECIFICATIONS SUBJECT TO CHANGE OR WITHDRAWL WITHOUT NOTICE.
  3. THIS PART IS RoHS 2011/65/EU COMPLIANT.

|  |                   |   |            |                         |            |             |                  |            |              |                |
|--|-------------------|---|------------|-------------------------|------------|-------------|------------------|------------|--------------|----------------|
| UNLESS OTHERWISE SPECIFIED:<br>DIMENSIONS ARE IN MILLIMETERS,<br>TOLERANCES ARE ±0.5 AND ANGLES ARE ±3°. | SIZE<br><b>A3</b> | Designed by   | Date       | Checked by              | Date       | Approved by | Date             | Drawn Date |              |                |
|  |                   | T.E.S.  | 10/29/2014 | M.L.                    | 11/11/2014 | B.R.        | 11/11/2014       | 10/29/2014 |              |                |
| SMI-1027-TW-5V-R.idw   |                   |  <b>pui audio</b><br><small>inc</small><br><small>a projects unlimited company</small> |            | <b>SMI-1027-TW-5V-R</b> |            |             | <b>Indicator</b> |            | Edition<br>- | Sheet<br>1 / 1 |