

MATERIALS AND FINISHES

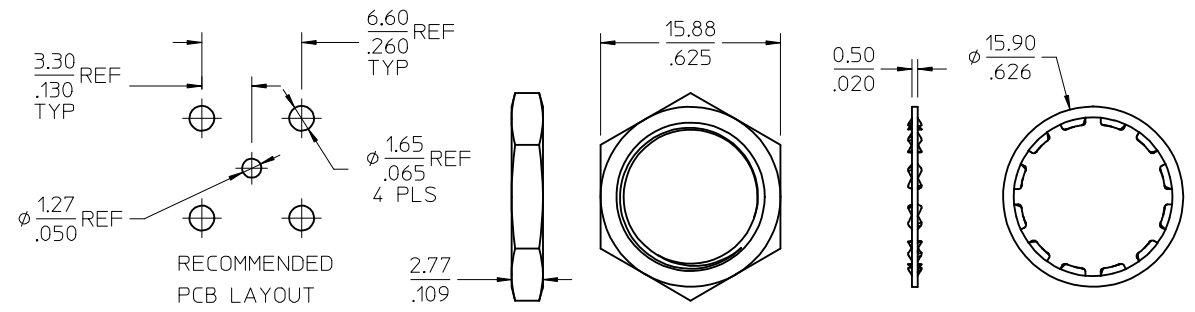
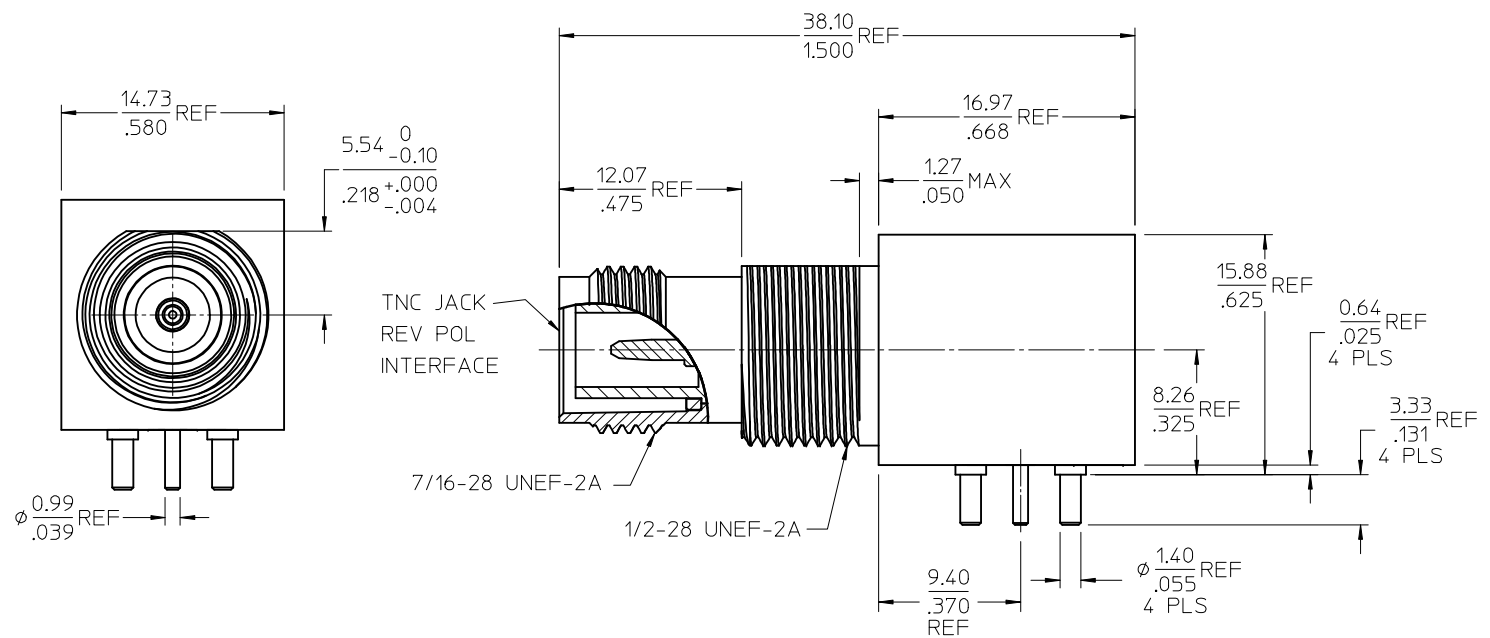
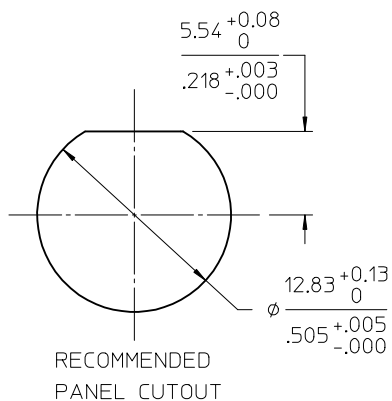
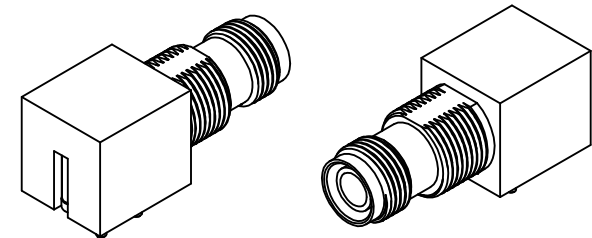
BODY, JAM NUT: BRASS  
PLATED: NICKEL

CENTER CONTACT: BRASS  
PLATED: GOLD

INSULATOR: TEFLON

POSTS: BRASS  
PLATED: TIN

LOCKWASHER: PHOS. BRONZE  
PLATED: NICKEL



73216-1502	73216-1500 WITH ALL HARDWARE INCLUDED
73216-1501	73216-1500, ONE PER BAG
73216-1500	BULK (NO HARDWARE)
PART NO.	PACKAGING

CHG: -1502 WITH HARDWARE, ADDED CUT AWAY VIEW	EC NO: URF2013-0525	2013/03/19
	DRWN:JLE02	2013/03/19
A1	CHKD:SSS	2013/03/19
	APPR:WIENER	2013/03/21

QUALITY SYMBOLS	▽=0
	▽=0

GENERAL TOLERANCES (UNLESS SPECIFIED)	
	ANGULAR ± 2°
DRAFT WHERE APPLICABLE MUST REMAIN WITHIN DIMENSIONS	

DIMENSION STYLE MM/IN	
DRAWN BY	DATE
CHECKED BY	DATE
APPROVED BY	DATE
MATERIAL NO.	SEE TABLE
SIZE	C

SCALE	DESIGN UNITS METRIC	THIRD ANGLE PROJECTION
TITLE TNC JACK, R/A, REV POL 50 OHMS, PCB, BLKHD EWR2697 TNC-J/PCB/BLKHD		
MOLEX MOLEX INCORPORATED		SHEET NO. 1 OF 1
DOCUMENT NO. SD-73216-150		