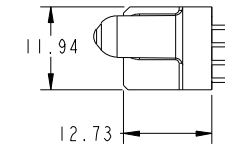
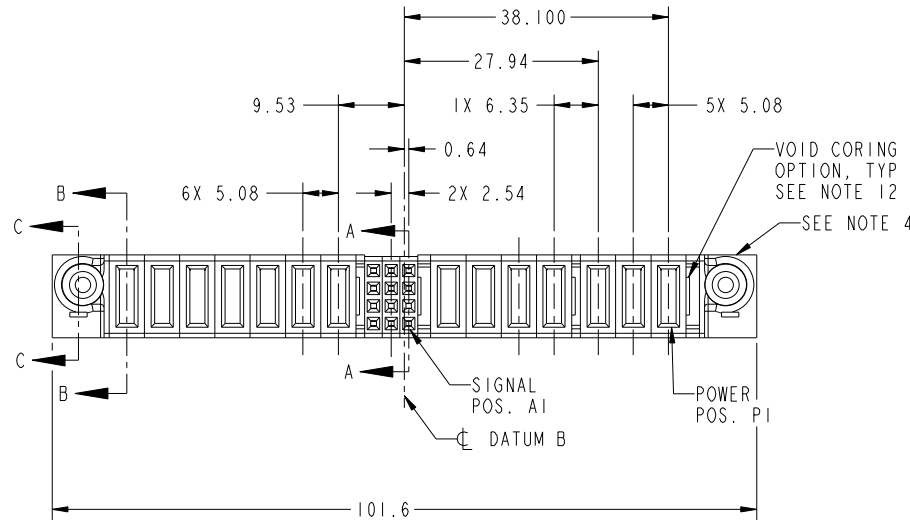


Tous droits strictement reserves. Reproduction ou communication a des tiers interdite sous quelque forme que ce soit sans autorisation écrite du propriétaire. Propriete de c FCI. Droits de reproduction FCI.



All rights strictly reserved. Reproduction or issue to third parties in any form whatever is not permitted without written authority from the proprietor. Property of FCI. Copyright FCI.

PRODUCT NO.	ROWS	POWER							SIGNAL			POWER							
		E2	P14	P13	P12	P11	P10	P9	P8	3	2	1	P7	P6	P5	P4	P3	P2	P1
51940-251-- NOTE: 3	D C B A		PA	X	PA	X	PA	X	PA	X	X	X	PA	PA	X	PA	PA	PA	



CODE	DIM "M" MATING LENGTH	CONTACT TYPE
E	[N/A]	SIGNAL
PA	[1.07]	POWER
X	OMITTED	

mat'l code				SEE NOTES		tolerances unless otherwise specified		CUSTOMER	
ltr	ecn no.	dr	date	linear	0.X ±0.5	COPY		FCI	
A	DG08-0115	SH	05/12/08	angles	0.XX ±0.25	projection		www.fciconnect.com	
					0.XXX ±0.1	MIM		title	
				dr	0° ±2°	scale		7P + 12S + 7P	
				enr	Sincere He 05/06/08	1:1		VERTICAL SOLDER RECEPT	
				chr	Sincere He 05/06/08			product family	
				appd	Gary Hsieh 05/06/08			PwrBlade	
					Joseph Hsia 05/06/08			code	
sheet index	revision sheet	A	A	A	A			size	
1	2	3	4					dwg no	
								A	
								51940-251	
								sheet	
								1 of 4	

cage code 22526

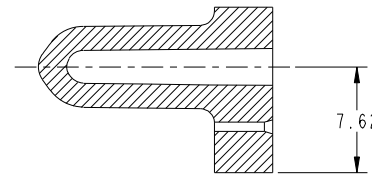
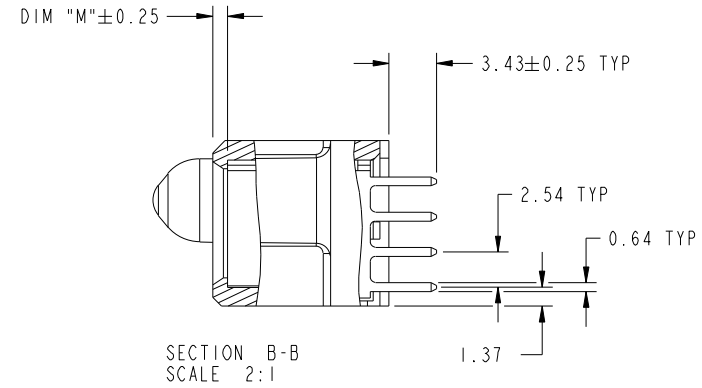
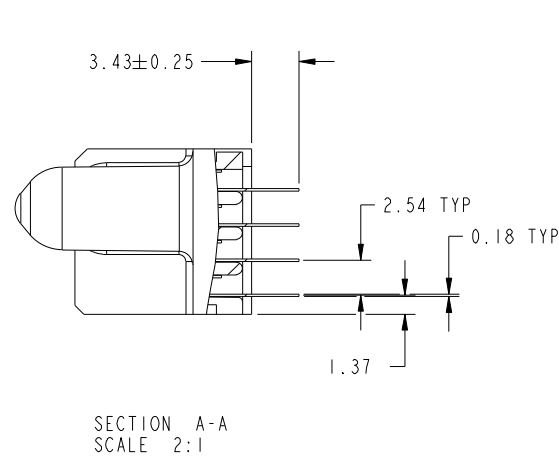
Pro/E

Tous droits strictement reserves. Reproduction ou communication a des tiers interdite sous quelque forme que ce soit sans autorisation écrite du propriétaire. Propriete de c FCI. Droits de reproduction FCI.



All rights strictly reserved. Reproduction or issue to third parties in any form whatever is not permitted without written authority from the proprietor. Property of FCI. Copyright FCI.

PRODUCT NUMBER  
51940-251--  
NOTE: 3



mat'l code				tolerances unless otherwise specified		CUSTOMER		FCI	
ltr	ecr no.	dr	date	linear	0.X ± 0.5	COPY		www.fciconnect.com	
A					0.XX ± 0.25	projection		title	
				angles	0.XXX ± 0.1			7P + 12S + 7P VERTICAL SOLDER RECEPT	
				dr	Sincere He 05/06/08			product family PwrBlade code	
				enr	Sincere He 05/06/08			size	
				chr	Gary Hsieh 05/06/08	scale		dwg no	
				appd	Joseph Hsia 05/06/08	1:1		51940-251	
sheet index		revision sheet						sheet	
								2 of 4	

cage code 22526

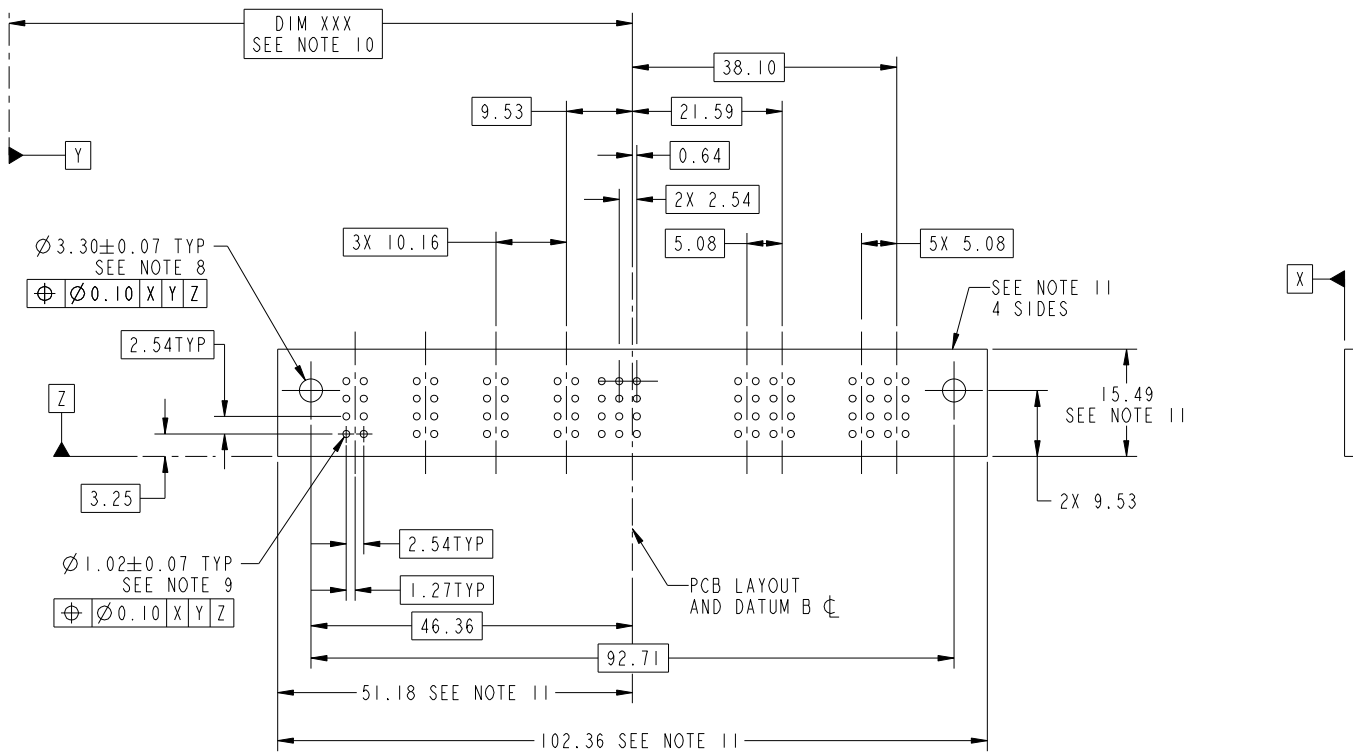
Pro/E

Tous droits strictement reserves. Reproduction ou communication a des tiers interdite sous quelque forme que ce soit sans autorisation écrite du propriétaire. Propriete de c FCI. Droits de reproduction FCI.

All rights strictly reserved. Reproduction or issue to third parties in any form whatever is not permitted without written authority from the proprietor. Property of FCI. Copyright FCI.



PRODUCT NUMBER  
51940-251--  
NOTE: 3



RECOMMENDED PCB LAYOUT

mat'l code				tolerances unless otherwise specified		CUSTOMER		FCI	
ltr	ecn no.	dr	date	linear	0.X ± 0.5	COPY		www.fciconnect.com	
A					0.XX ± 0.25	projection		title	
				angles	0.XXX ± 0.1			7P + 12S + 7P VERTICAL SOLDER RECEPT	
				dr	Sincere He 05/06/08	MIM		product family PwrBlade code 213	
				enr	Sincere He 05/06/08			size dwg no 213	
				chr	Gary Hsieh 05/06/08	scale		A 51940-251 sheet 3 of 4	
				appd	Joseph Hsia 05/06/08	1:1			
sheet index		revision sheet							

cage code 22526

Pro/E

Tous droits strictement reserves. Reproduction ou communication a des tiers interdite sous quelque forme que ce soit sans autorisation écrite du propriétaire. Propriete de c FCI. Droits de reproduction FCI.



All rights strictly reserved. Reproduction or issue to third parties in any form whatever is not permitted without written authority from the proprietor. Property of FCI. Copyright FCI.

PRODUCT NUMBER  
51940-251--  
NOTE: 3

NOTES:

1. DIMENSIONS AND TOLERANCES ARE IN ACCORDANCE WITH ASME Y14.5M, 1994 UNLESS OTHERWISE SPECIFIED.

CONNECTOR NOTES:

- 2 HOUSING MATERIAL: UL 94 V-0 GLASS FILLED HIGH-TEMP THERMOPLASTIC  
POWER CONTACT MATERIAL: COPPER ALLOY  
SIGNAL PIN MATERIAL: COPPER ALLOY
- 3. PLATING SPEC.  
51940-251, 51940-251LF PLATING SPEC. WAS SHOWN IN THE PRINT OF 10064183.
- 4 MANUFACTURER'S NAME, P/N, AND DATE CODE TO APPEAR ON THIS SURFACE.
- 5. PRODUCT SPECIFICATION GS-12-149.  
APPLICATION SPECIFICATION BUS-20-067.

6. PACKAGED IN TRAYS.

PCB NOTES:

7. ALL HOLE DIAMETERS ARE FINISHED HOLE SIZE.

8 MOUNTING HOLES, WHERE APPLICABLE, ARE UNPLATED.

9  $\varnothing 1.151 \pm 0.025$  DRILLED HOLES PLATED WITH  
0.008 MIN SnPb OR Sn OVER 0.03  
TO 0.08 Cu PLATING TO ACHIEVE  
 $\varnothing 1.02 \pm 0.07$  HOLE.

10 "DIM XXX" TO BE DETERMINED BY THE CUSTOMER.

11 CONNECTOR KEEP-OUT ZONE.

12. THE VOID CORING IN BETWEEN POWER MODULES, SIGNAL MODULES AND END MODULES ARE OPTIONAL AND THE SHAPE MAY BE DIFFERENT FOR OPTIMIZE THE MOLDING PROCESS. THE VOID CORING WILL NOT EFFECT TO PRODUCT FUNCTION.

mat'l code				tolerances unless otherwise specified		CUSTOMER		FCI	
ltr	ecr no.	dr	date	linear	0.X ± 0.5	COPY		www.fciconnect.com	
A					0.XX ± 0.25	projection		title	
				angles	0.XXX ± 0.1			7P + 12S + 7P VERTICAL SOLDER RECEPT	
				dr	Sincere He 05/06/08	MIM		product family PwrBlade code	
				enr	Sincere He 05/06/08			size 213	
				chr	Gary Hsieh 05/06/08	scale		dwg no 51940-251 sheet	
				appd	Joseph Hsia 05/06/08	1:1		4 of 4	
sheet index		revision sheet							

cage code 22526

Pro/E