



Worm Geared Motor Bracket A (PMMA)

SKU: 62445 Weight: 11.00 Gram

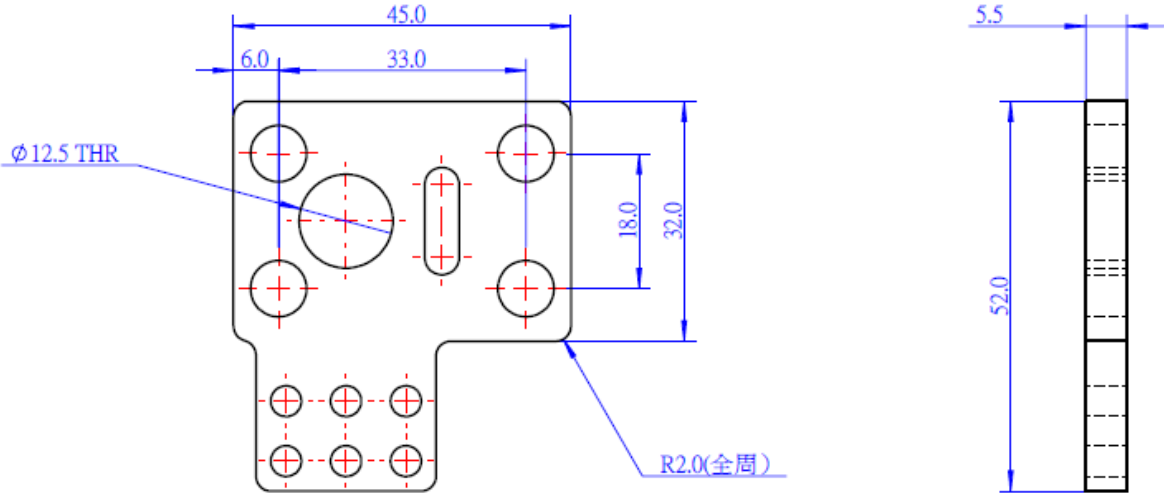
What Is Worm Geared Motor Bracket A (PMMA)?

Worm Geared Motor Bracket A (PMMA) is a bracket specially designed for 370 Worm Geared Motor. This bracket enables you fix the 370 Worm Geared Motor on other Makeblock components to create more interesting projects.

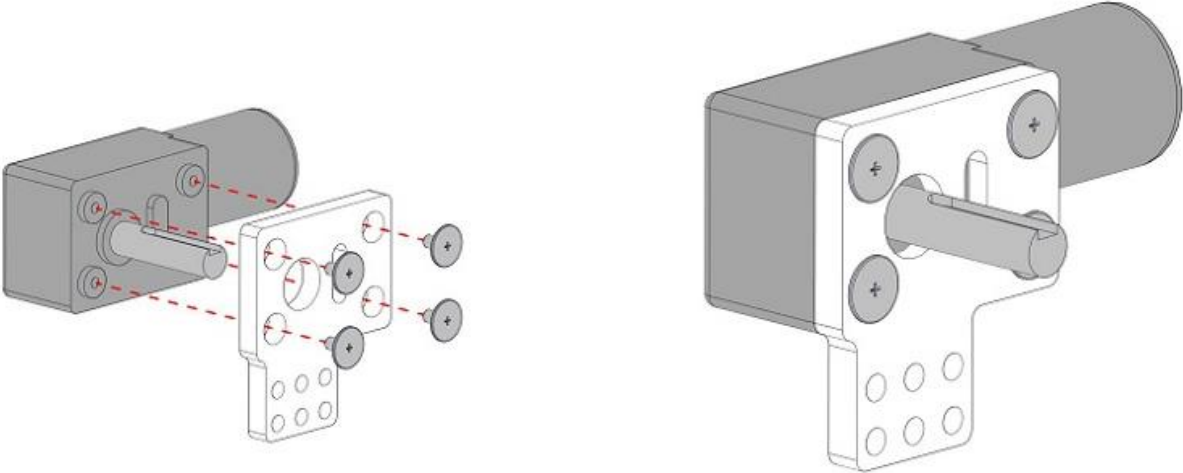
Features

- Made of transparent acrylic material, light-weight and easy-to-use;
- Mounting holes of this bracket is compatible with Makeblock parts;
- Sold in single pack, with Screw M3x6 included for easy assembling.

Size Chart (mm):



Building Examples:



Specifications

Product Name	Worm Geared Motor Bracket A (PMMA)
Product Dimension (L*W*H)	45 x 52 x 5.5 mm (1.77 x 2.04 x 0.21inch)
Material	AcrylicColorTransparent
Net Weight	9.5g (0.34oz)
Gross Weight	11g (0.39oz)
Package Content (Qty. x Part Name)	1 x Worm Geared Motor Bracket A 4 x Screw M3x6



<https://store.makeblock.com/worm-geared-motor-bracket-a-pmma> 8-8-18